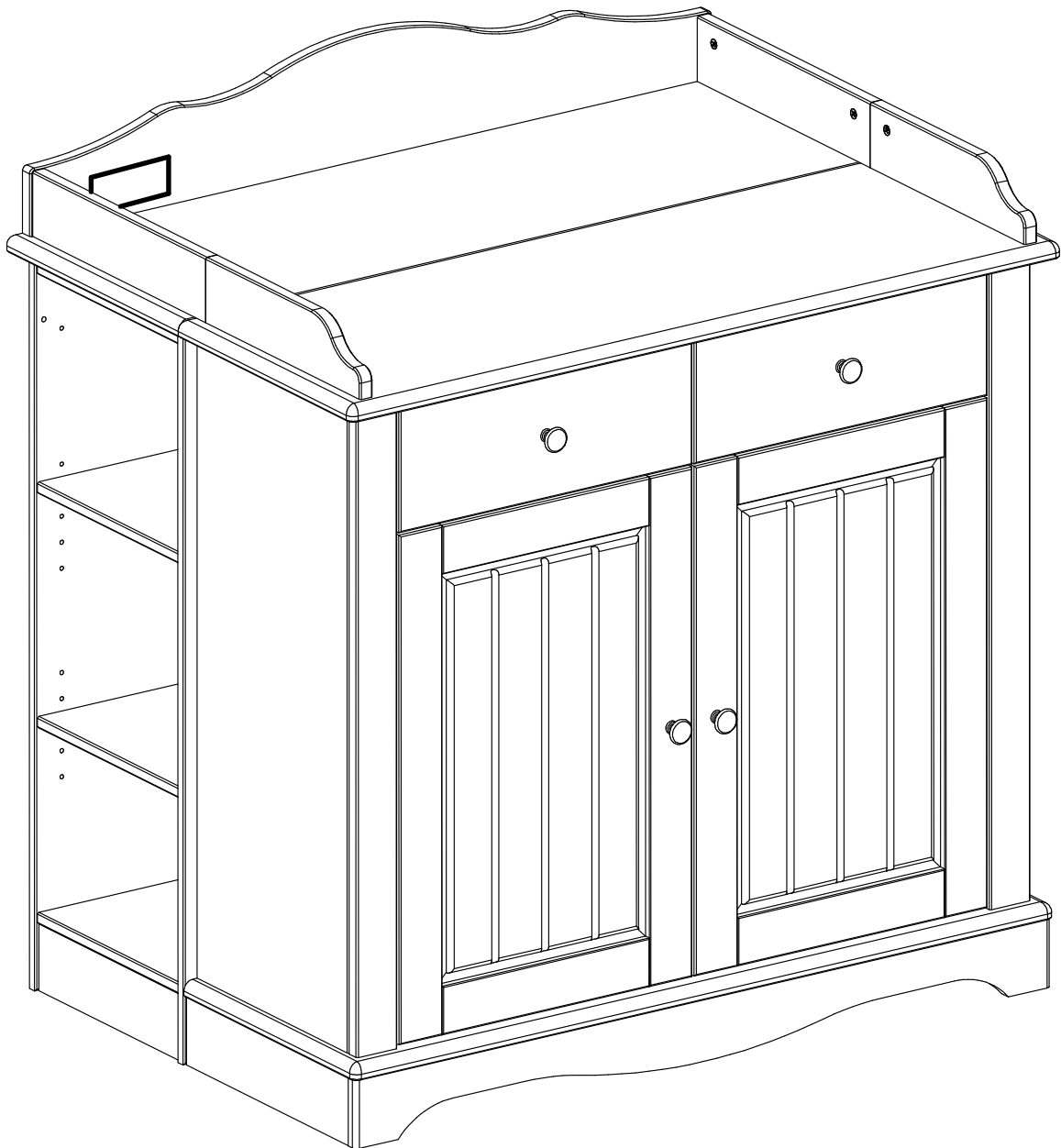
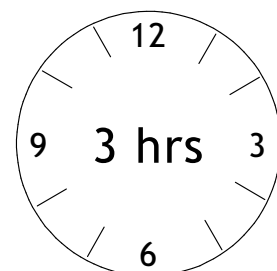
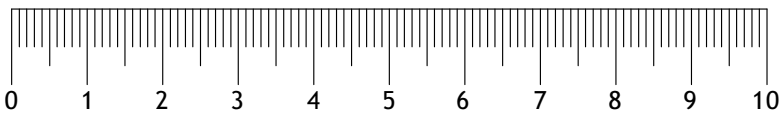
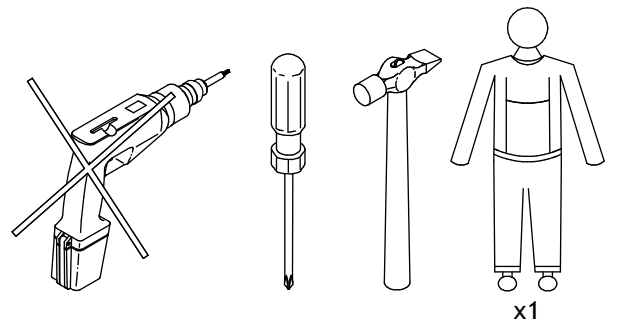
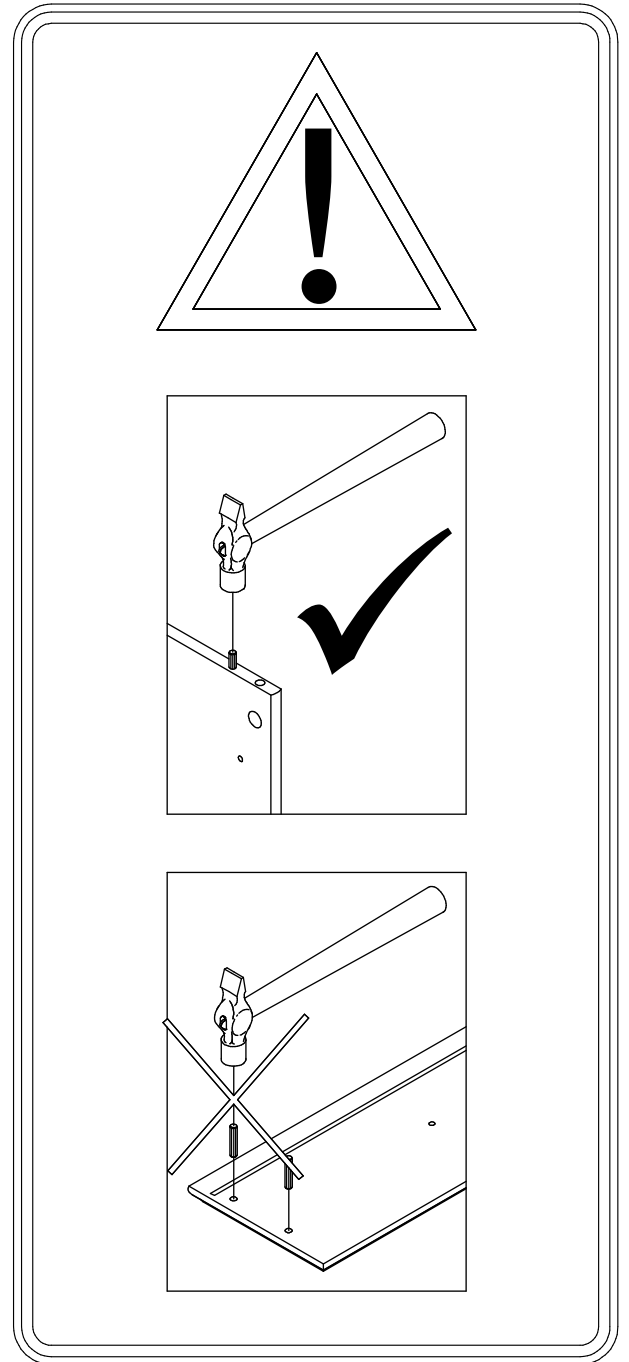
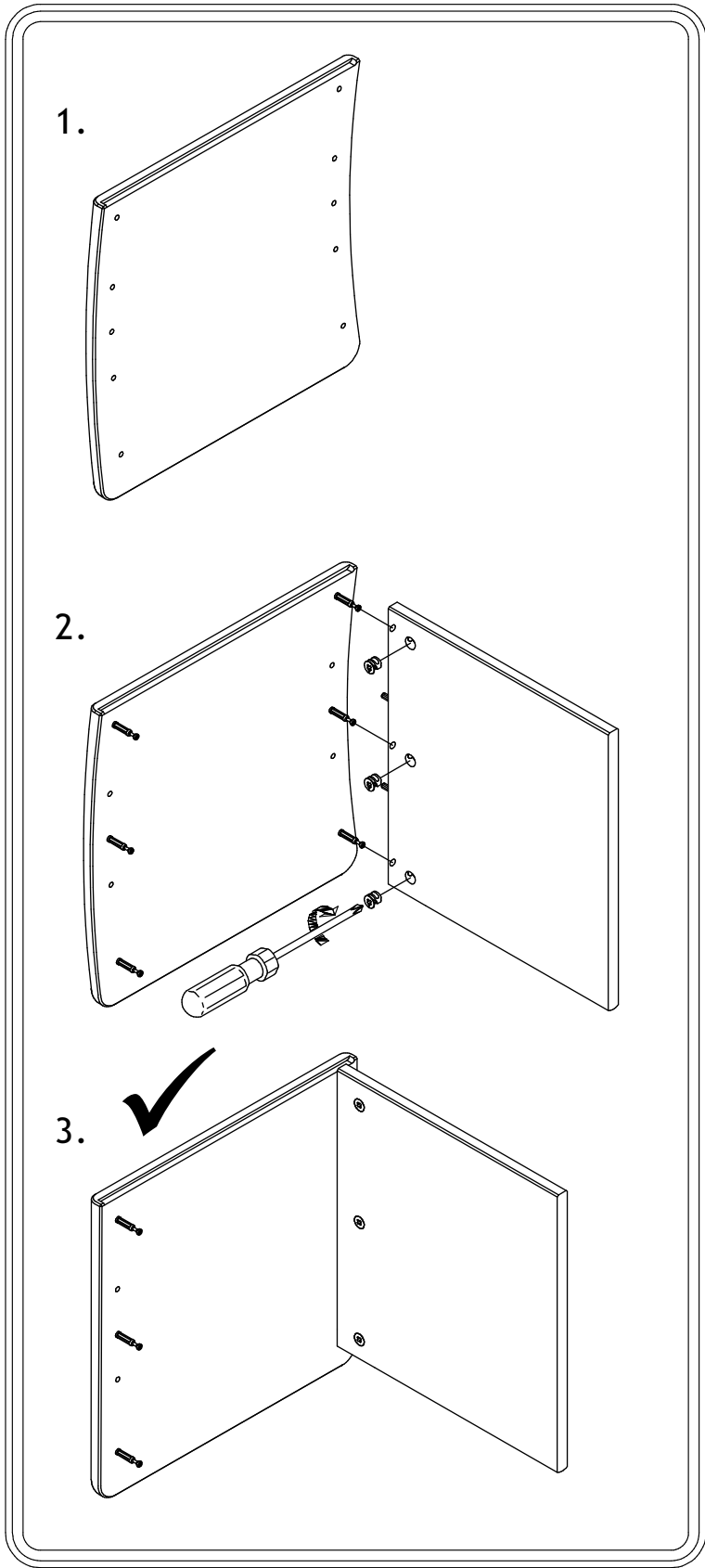
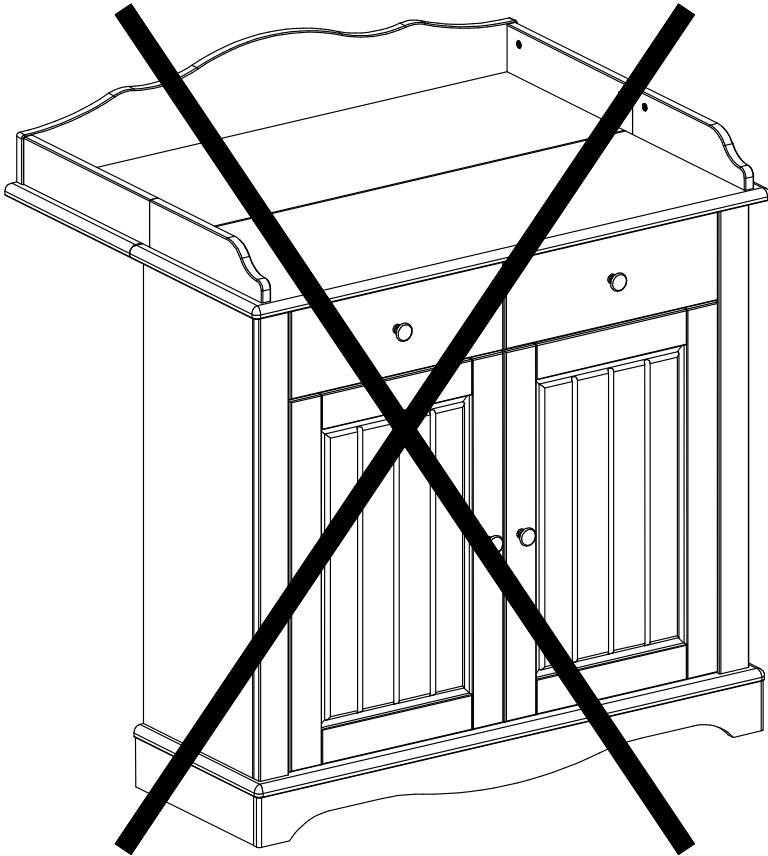


# 330806013





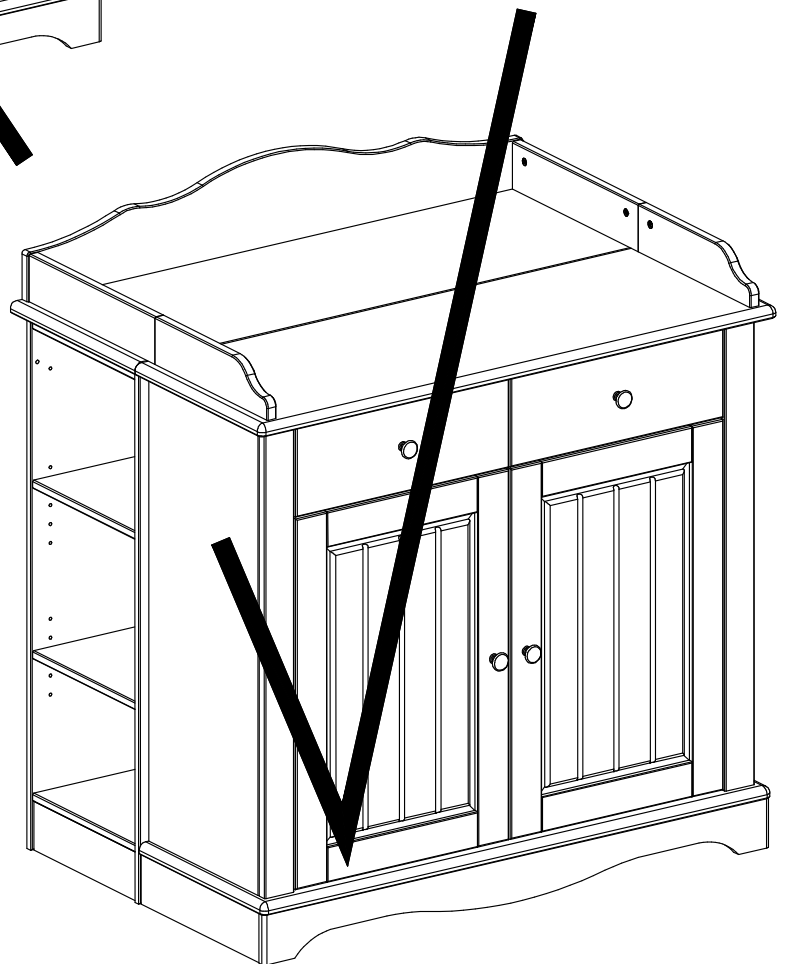


**GB:** Never use changing unit without the 2 shelving units being underneath.

**D:** Wickelkommode darf nur als solches benutzt werden, wenn beide Regale unter der Ablage stehen.

**F:** Il est strictement interdit d'utiliser le plan à langer si les étagères de soutien ne sont pas placées sous le plan.

**E:** Nunca utilizar el extensible del cambiador sin las estanterías de bajo.



# IMPORTANT!!

## RETAIN FOR FUTURE REFERENCE: READ CAREFULLY

### Warnings:

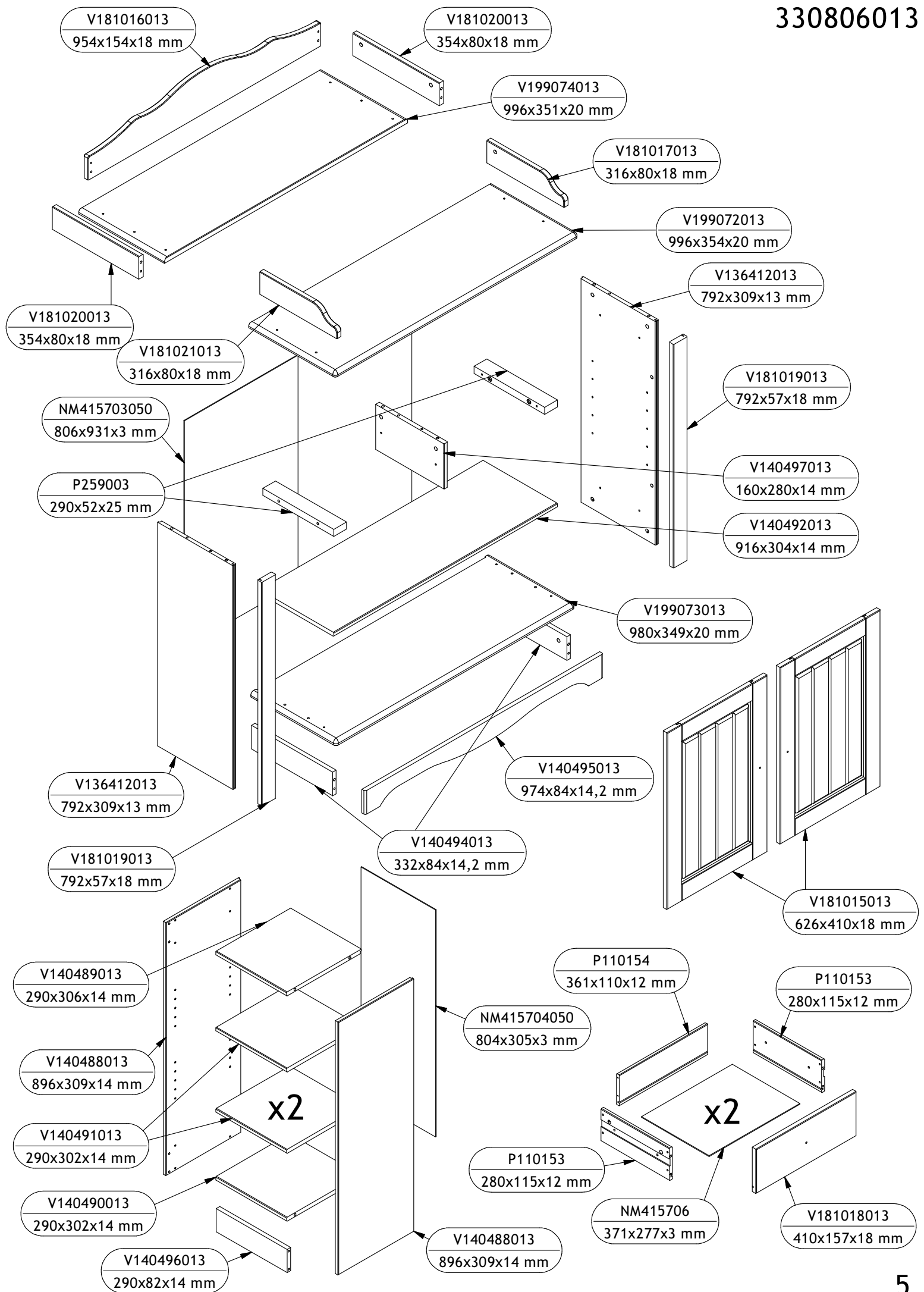
Do not leave the child unattended!


Be aware of the risk of open fires and other sources of strong heat, such as electric bar fires, gas fires, etc. in the near vicinity of the changing unit.

Be aware of the weight of the child for which this product is intended up to a maximum weight of 15 kg.

Do not use the changing unit when any part is broken, torn or missing and use only spare parts approved by the manufacturer.

All assembly fittings shall always be correctly tightened and checked regularly.



<p>BA10400 x28 ø6x30 mm</p> 	<p>BA10602 x34 5x34/8 mm</p> 	<p>BA10597 x34 ø12x10,2 mm</p> 	<p>BA10596 x4 ø12x9,5 mm</p> 	<p>BA10615 x4 ø7x84 mm</p> 	<p>BA10045 x8 ø3,5x35 mm</p> 
<p>BA10144 x4 ø4,5x30 mm</p> 	<p>BA10050 x8 ø3,5x15 mm</p> 	<p>BA10312 x10 ø5x50 mm</p> 	<p>BA10307 x4 ø7x60 mm</p> 	<p>BA10223 x4 M4x22 mm</p> 	<p>BA10210 x4 M4x12 mm</p> 
<p>BA10240 x16 ø6,1x11,5 mm</p> 	<p>BA10260 x4 ø5,8x11</p> 	<p>BA10622 x4 M4x8 mm</p> 	<p>BA10619 x2 M4xø5x12</p> 	<p>BA10336 x4 22x12 mm</p> 	<p>BA10821 x4 45x40x29 mm</p> 
<p>BA10830 x20 5/5 mm</p> 	<p>BA10981 x6 3x16,5x80 mm</p> 	<p>BA10535 x4 ø26 mm</p> 	<p>BA10536 x4</p> 	<p>BA10501 x4 ø30x23,5 mm</p> 	<p>BA107703 x2 ø7x1,5 mm</p> 
<p>BA10025 x100 ø1,2x20 mm</p> 	<p>ba10346 x4</p> 	<p>BA106802 x1 3 mm</p> 	<p>BA10680 x1 4 mm</p> 	<p>l10881 x1 15 g</p> 	<p>B14365 x4 27x310 mm</p> 