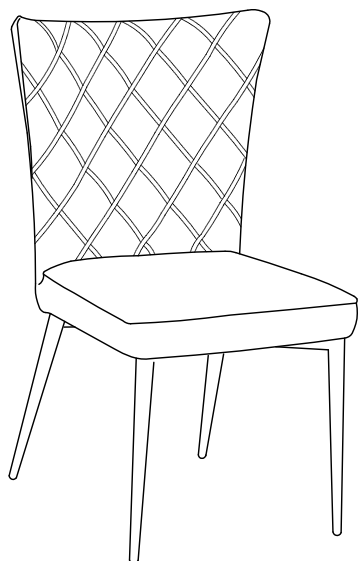
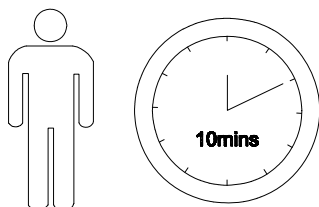



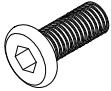

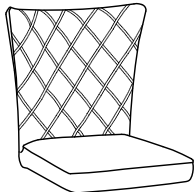
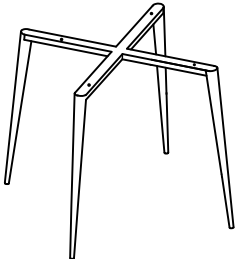
Assembly Instruction



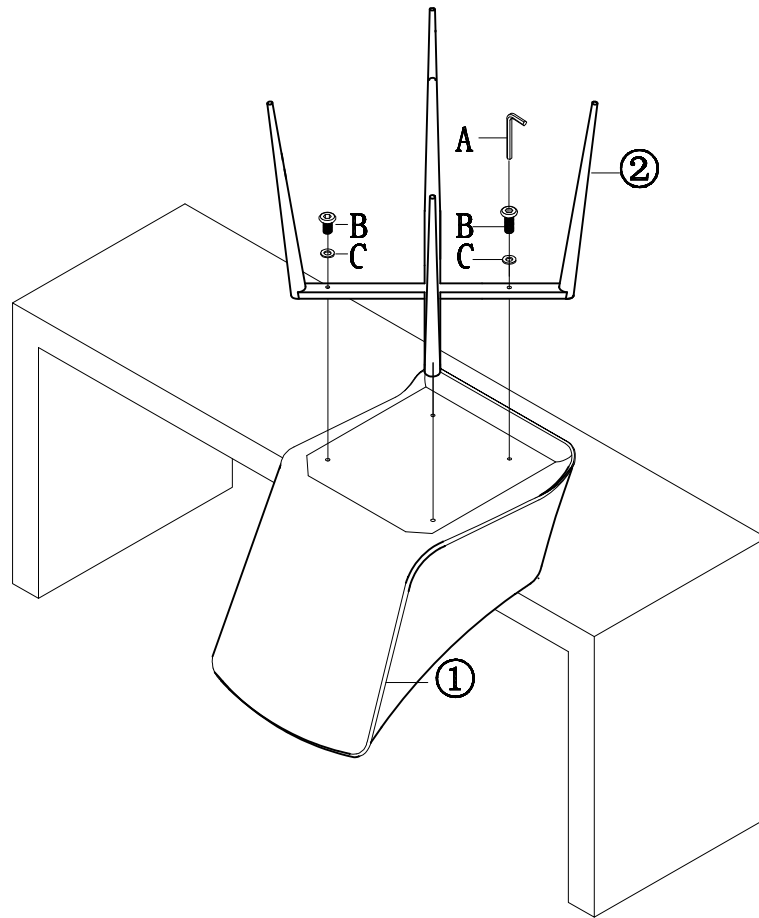
- Note:**
- Please read this instruction carefully before assembly
 - After approx 5 weeks, tighten all the screws and connecting parts to ensure stability and security
 - The product is not suitable for outdoor use
 - Keep away from exposure, fire (heat sources) and damp.



Part List

A  4mm 1×	B  M6×40 4×	C  M6 4×		
①  1×	②  1×			

STEP



FINISHED

