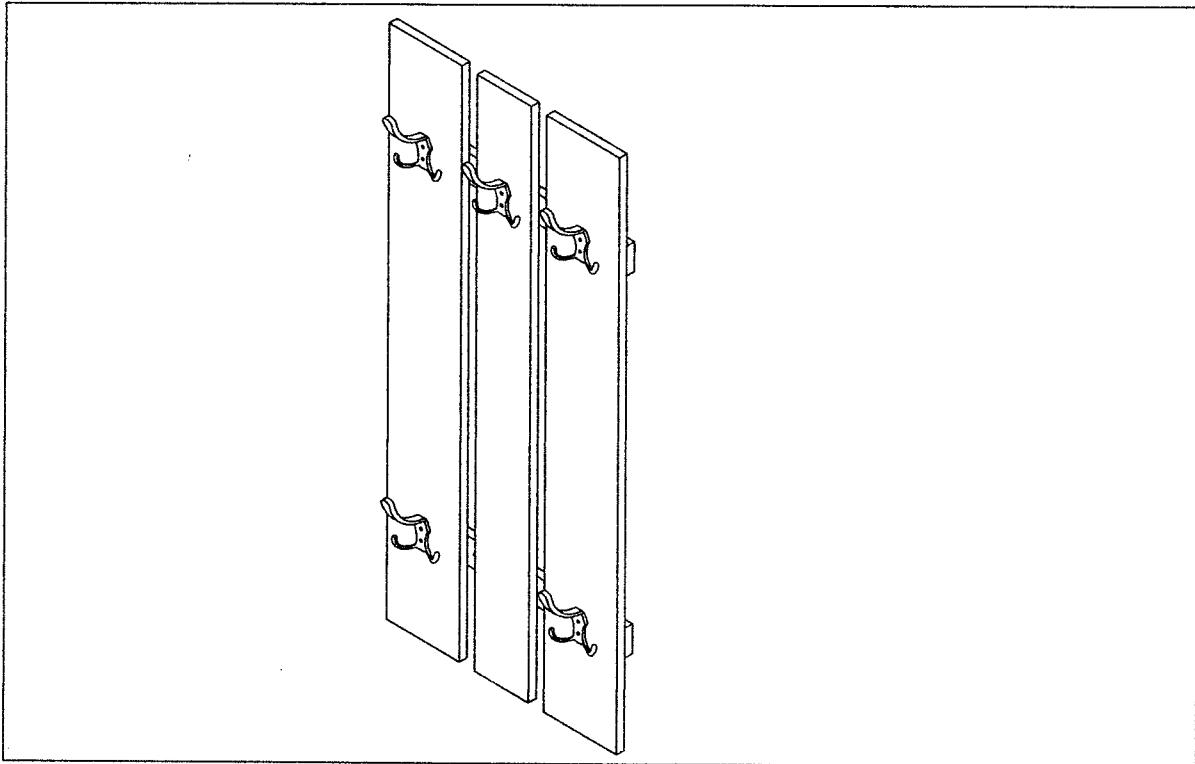






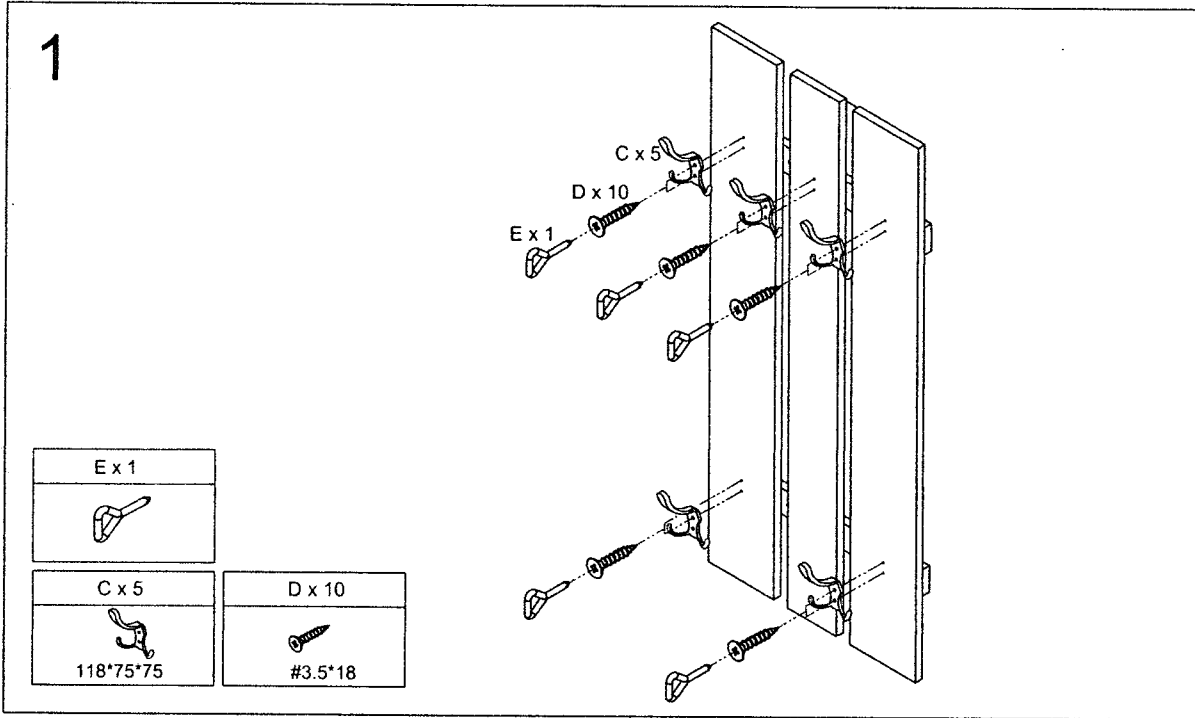


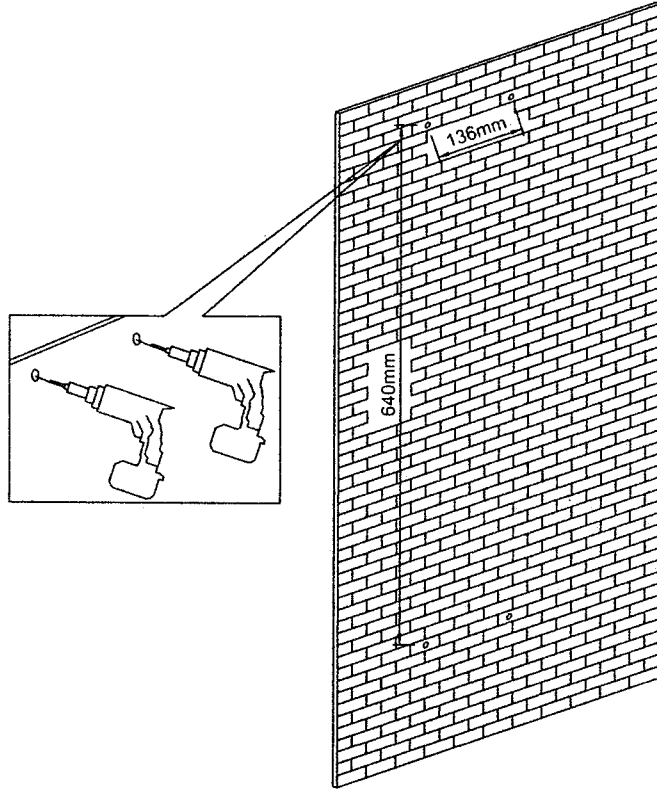
15616 (EK09872) Po# 5928



A x 4  Ø8*36	B x 4  #4*50	C x 5  118*75*75	D x 10  #3.5*18	E x 1 	 1
---	---	---	--	---	---



2



3

