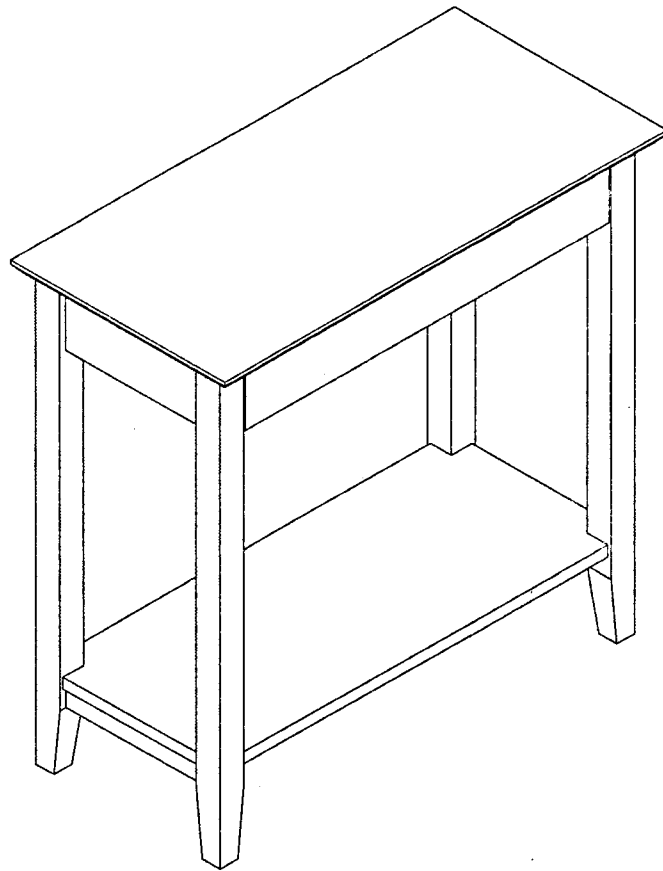
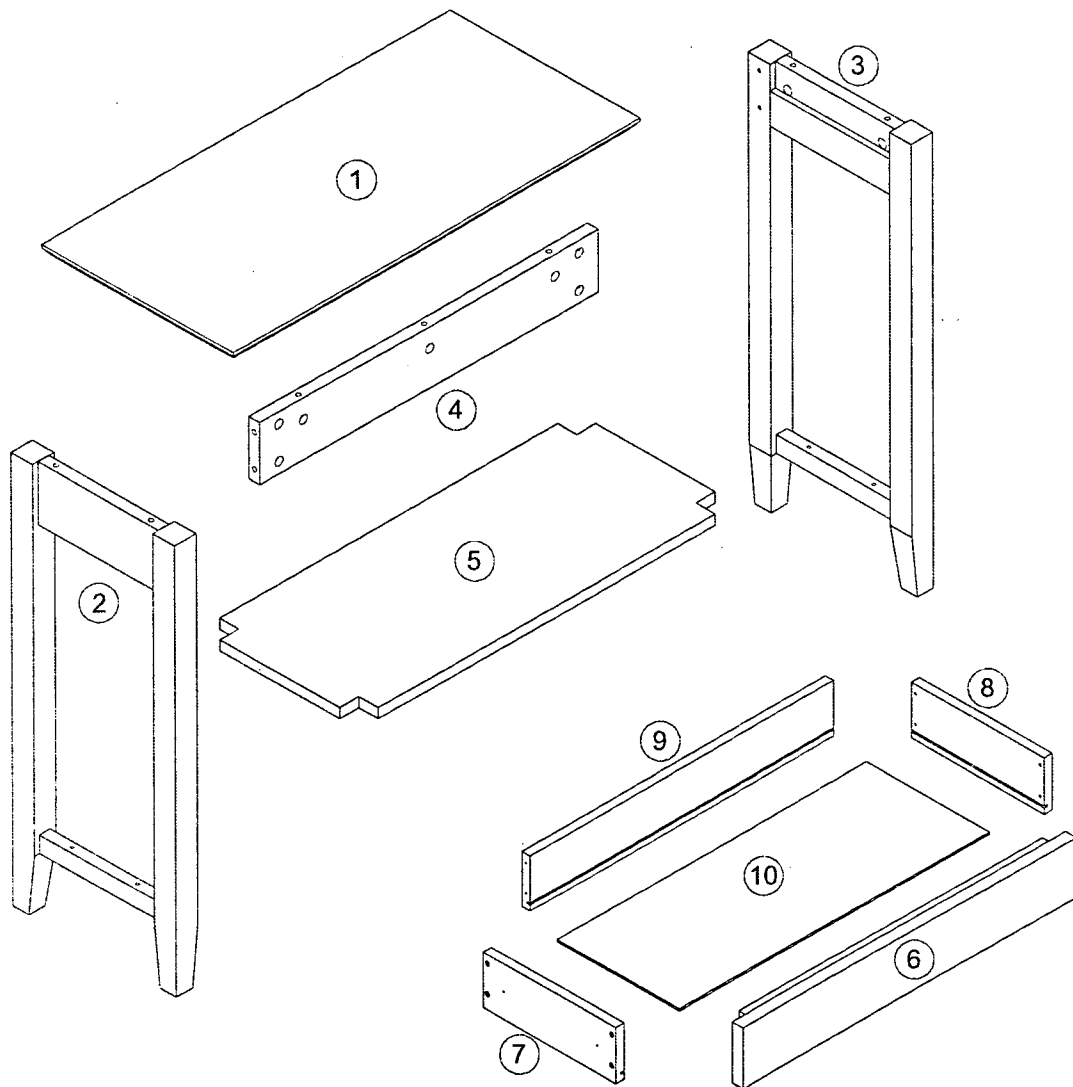



ITEM NO. 54354


Po 104308





Ax11 

Bx11 


Cx4 

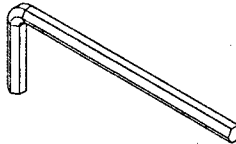
Dx4 

Ex4 

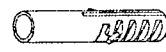
Fx9 

Gx12 

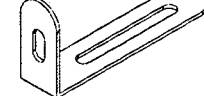
Hx2 

Jx1 

Kx4 

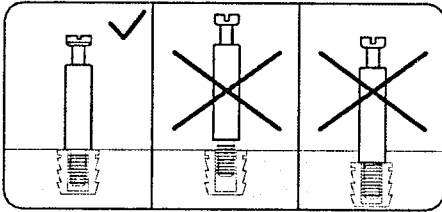
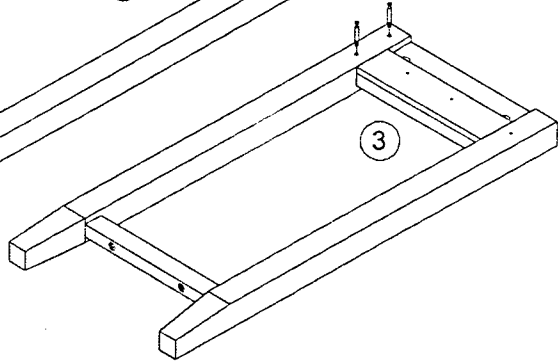
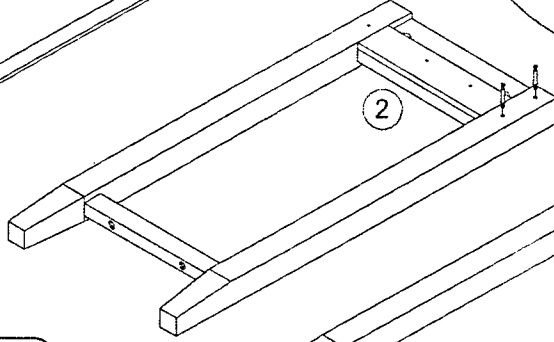
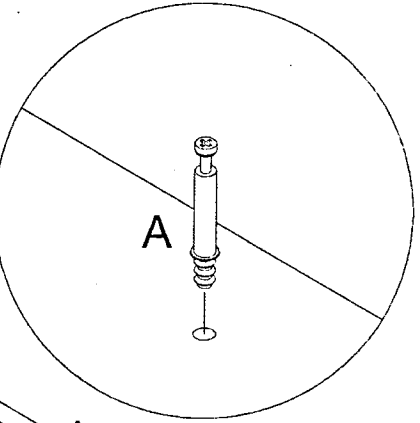
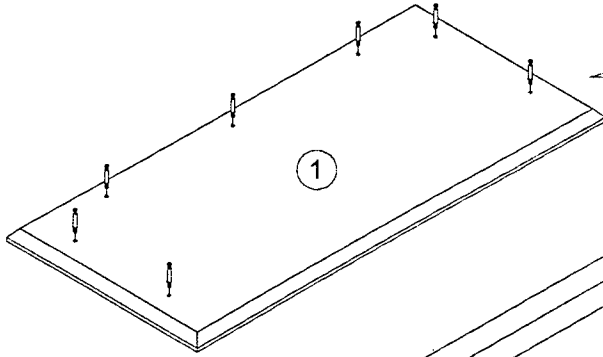
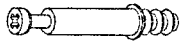
Lx1 

Mx1 

Nx1 

1

Ax11

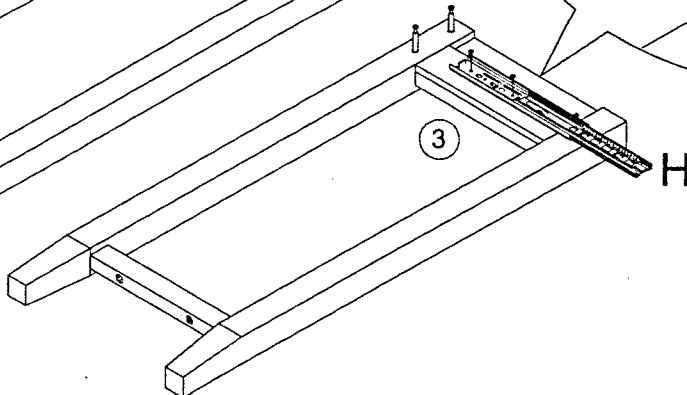
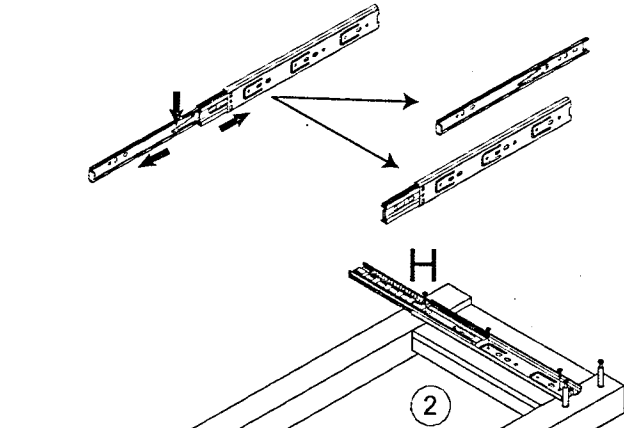
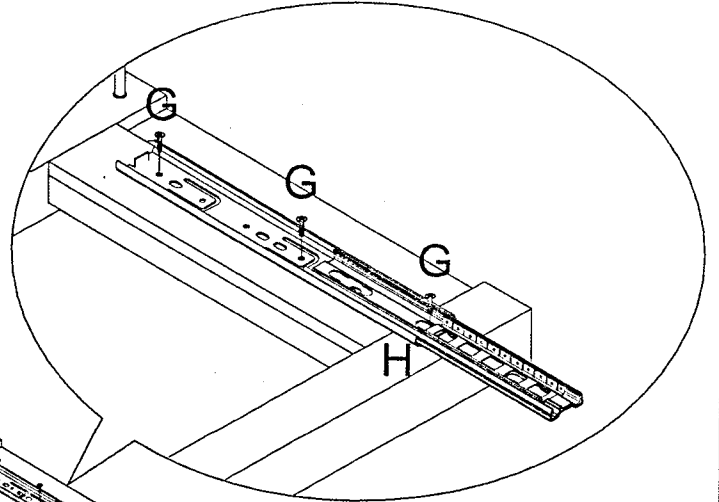
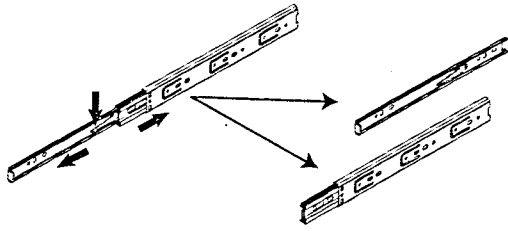
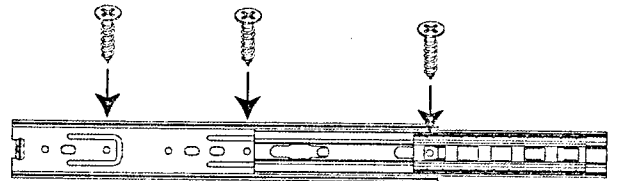


2

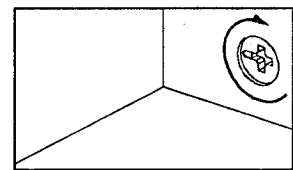
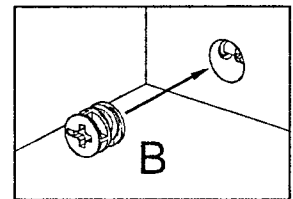
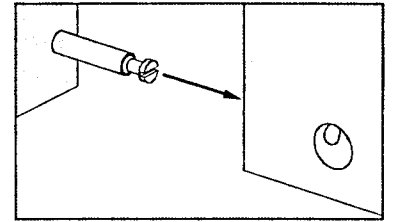
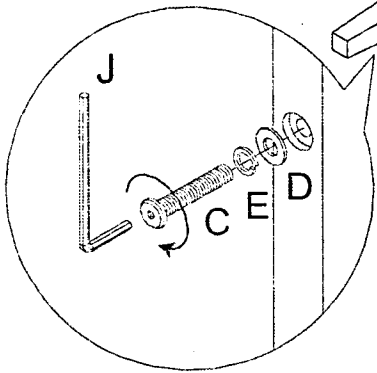
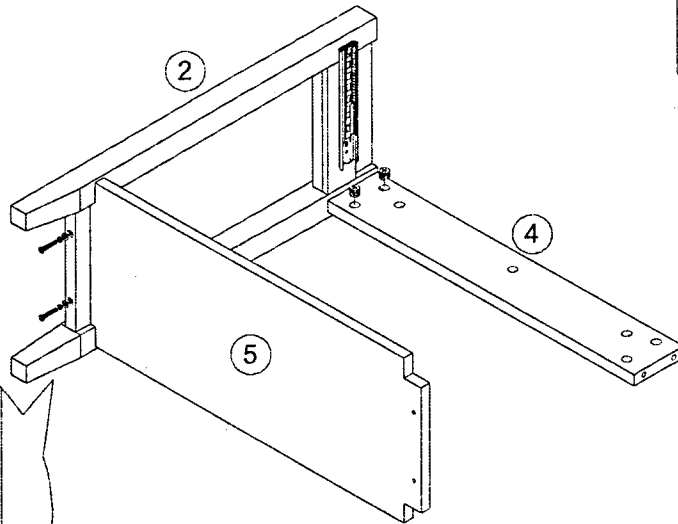
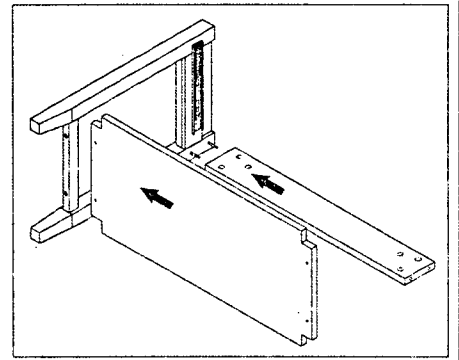
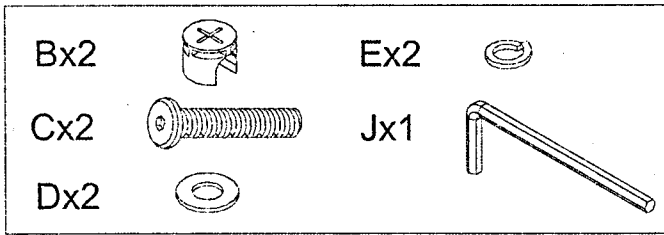
Gx6



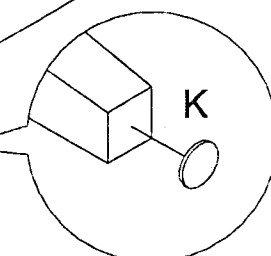
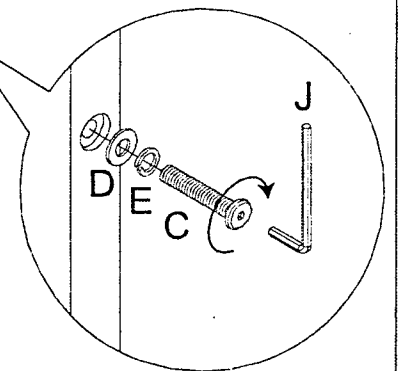
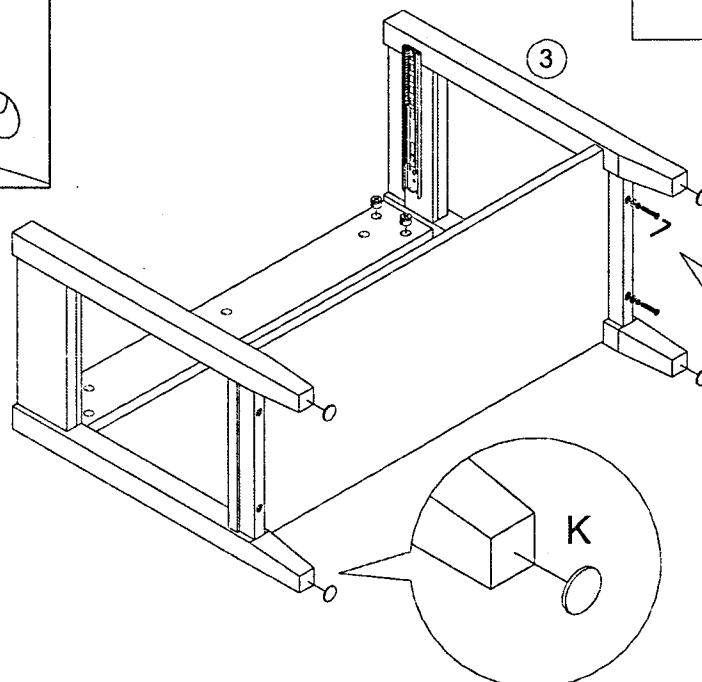
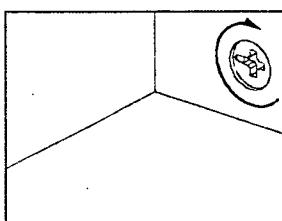
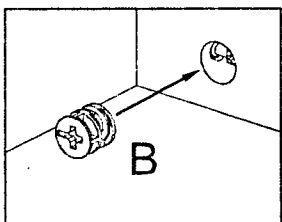
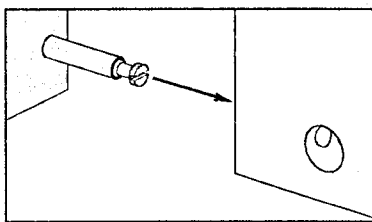
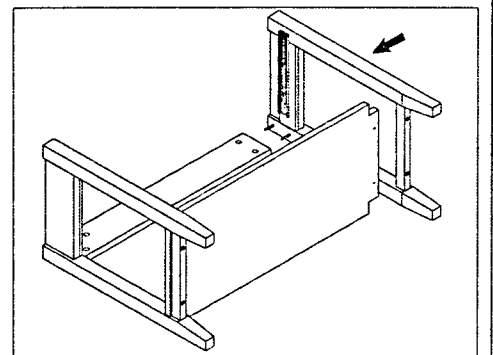
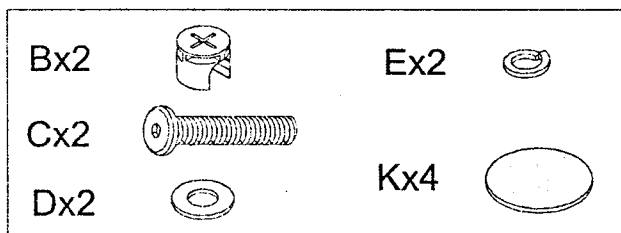
Hx2




# 3

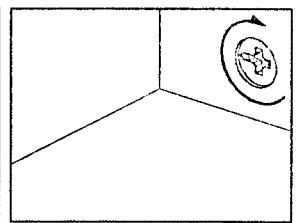
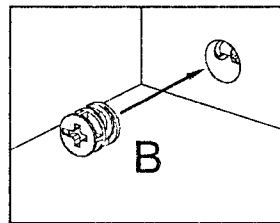
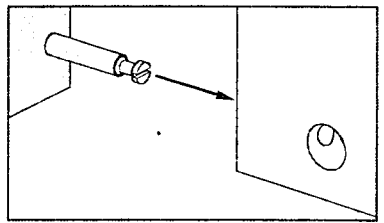
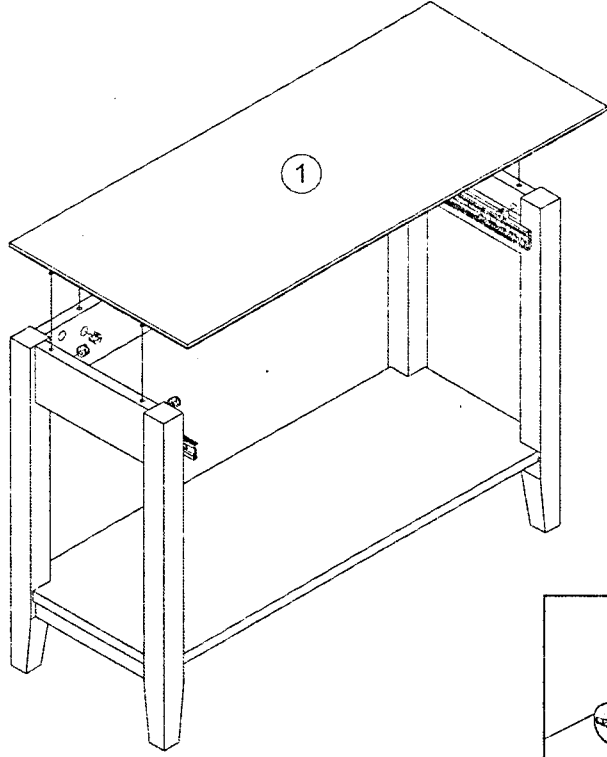


# 4


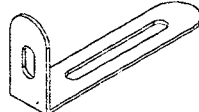


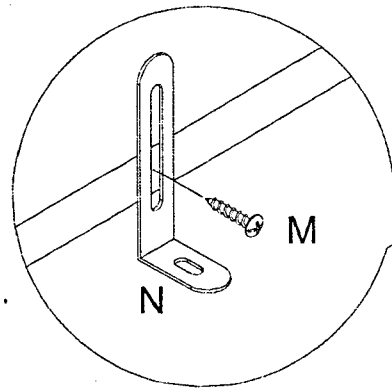
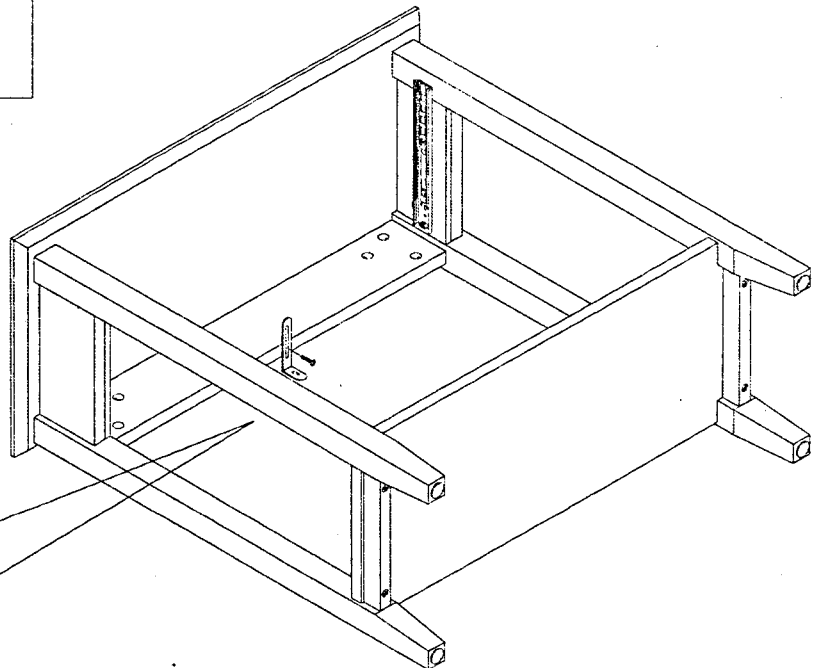
5

Bx7 



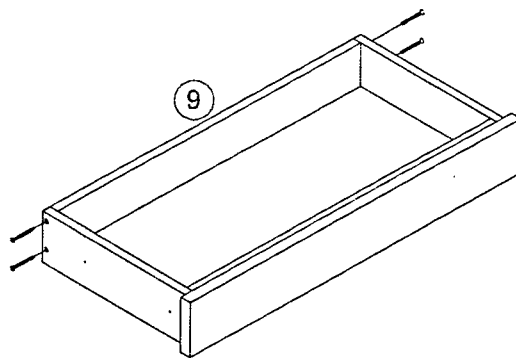
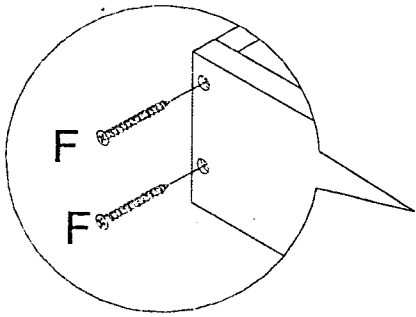
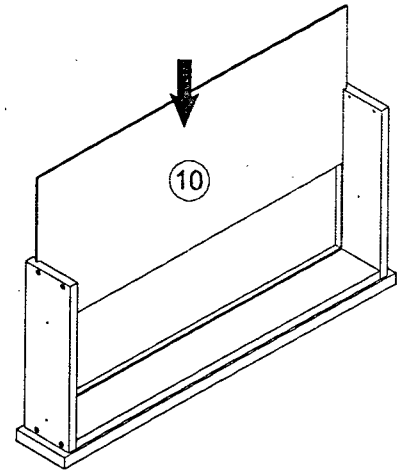
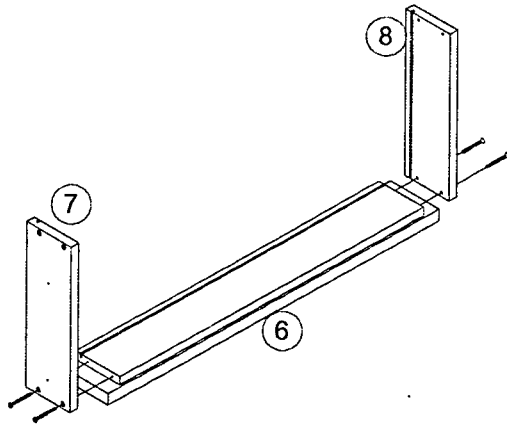
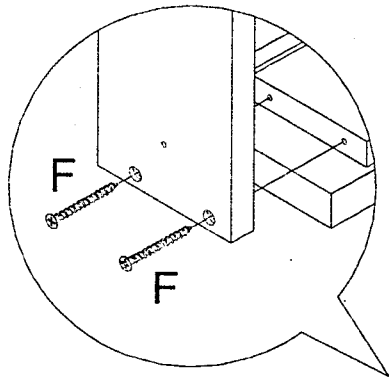
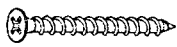
6

Mx1   
Nx1 



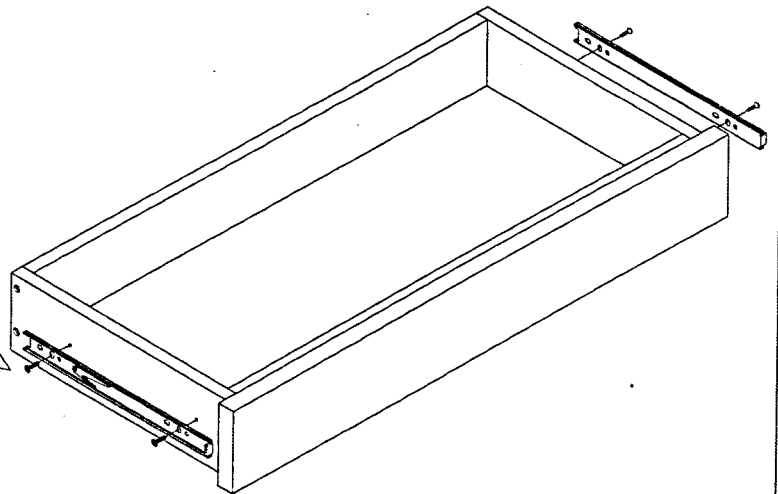
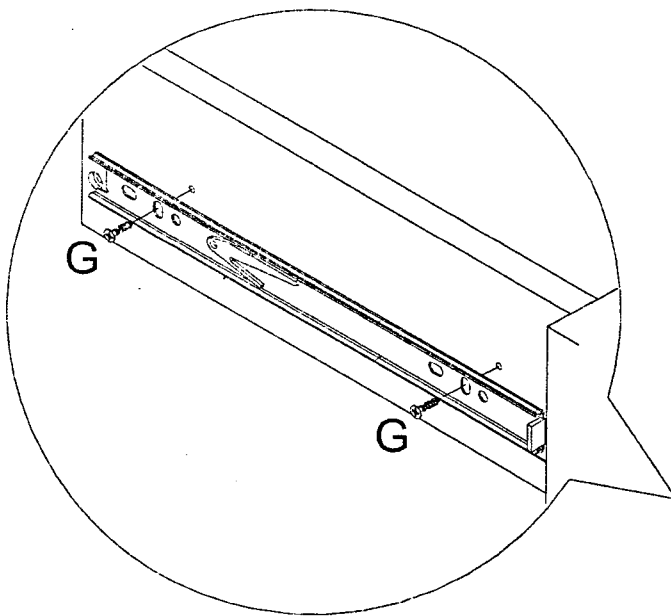
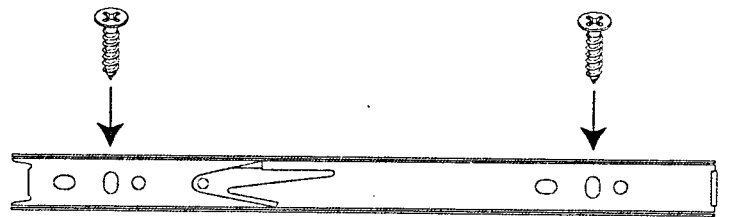
# 7

Fx8




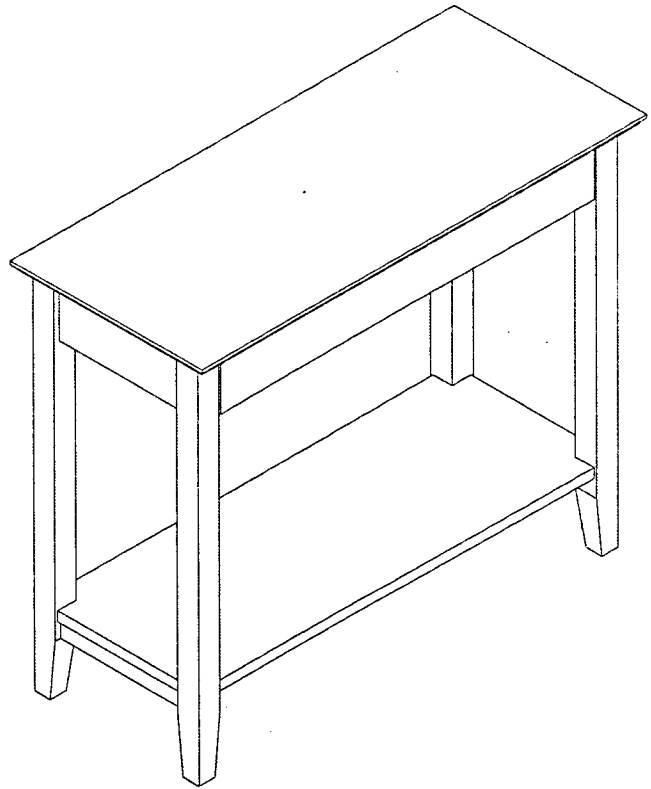
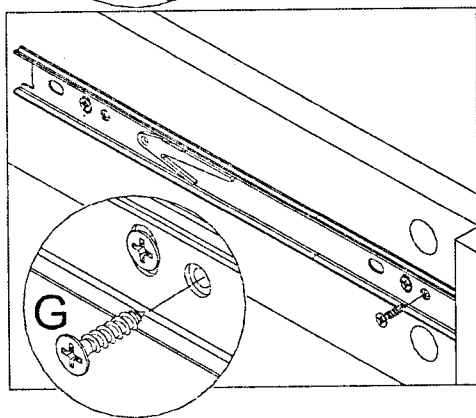
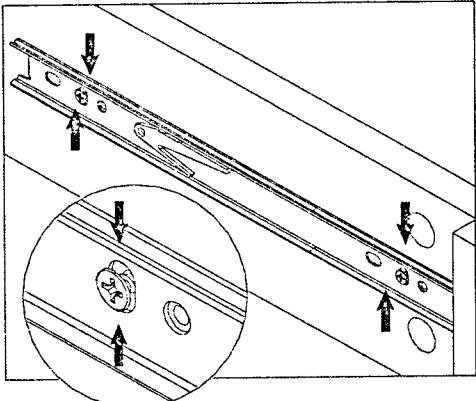
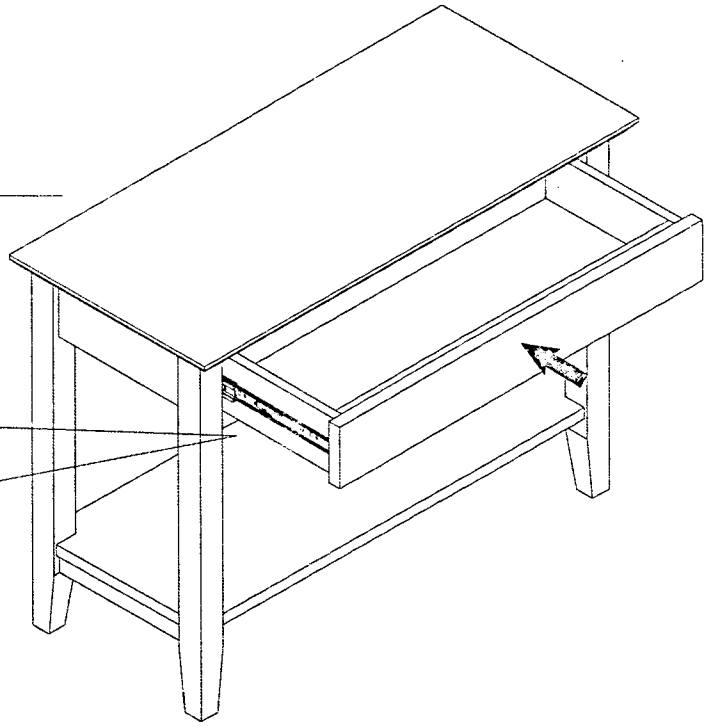
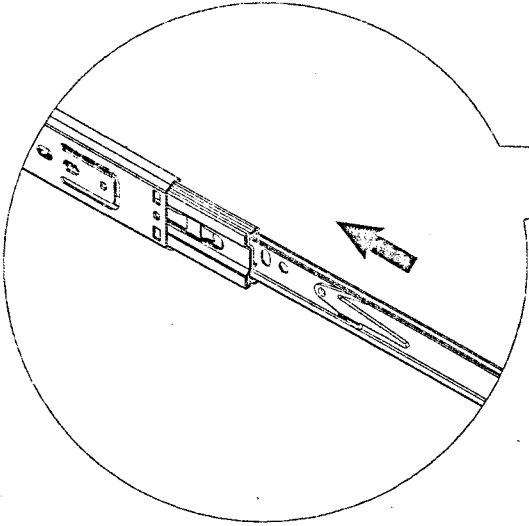
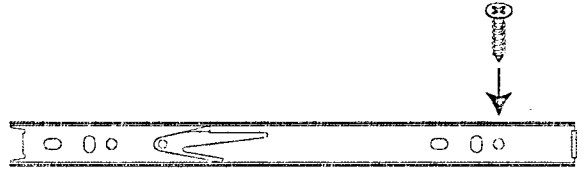
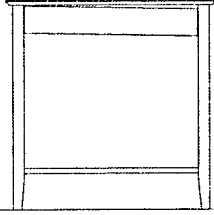
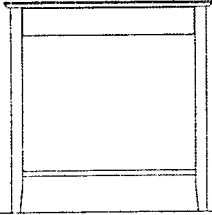
# 8

Gx4

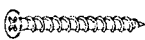


9

Gx2 



# 10

- Fx1 
- Lx1 