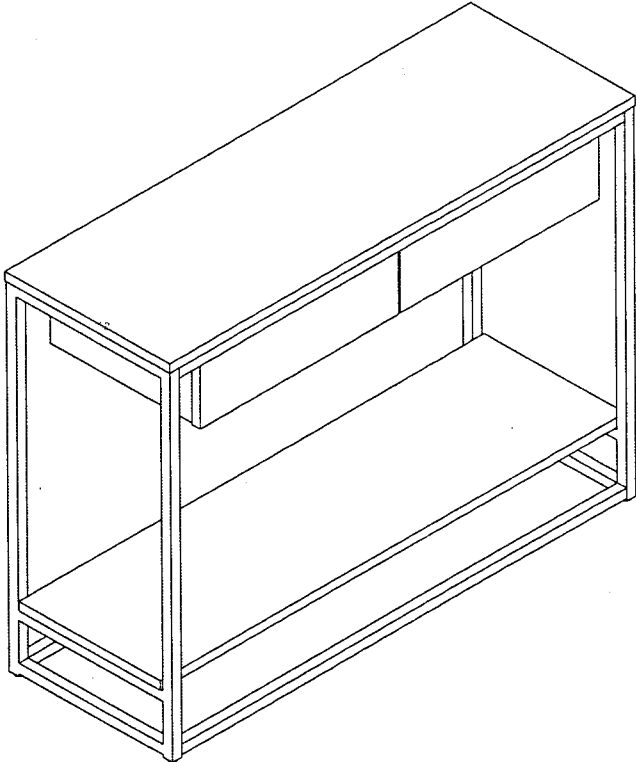
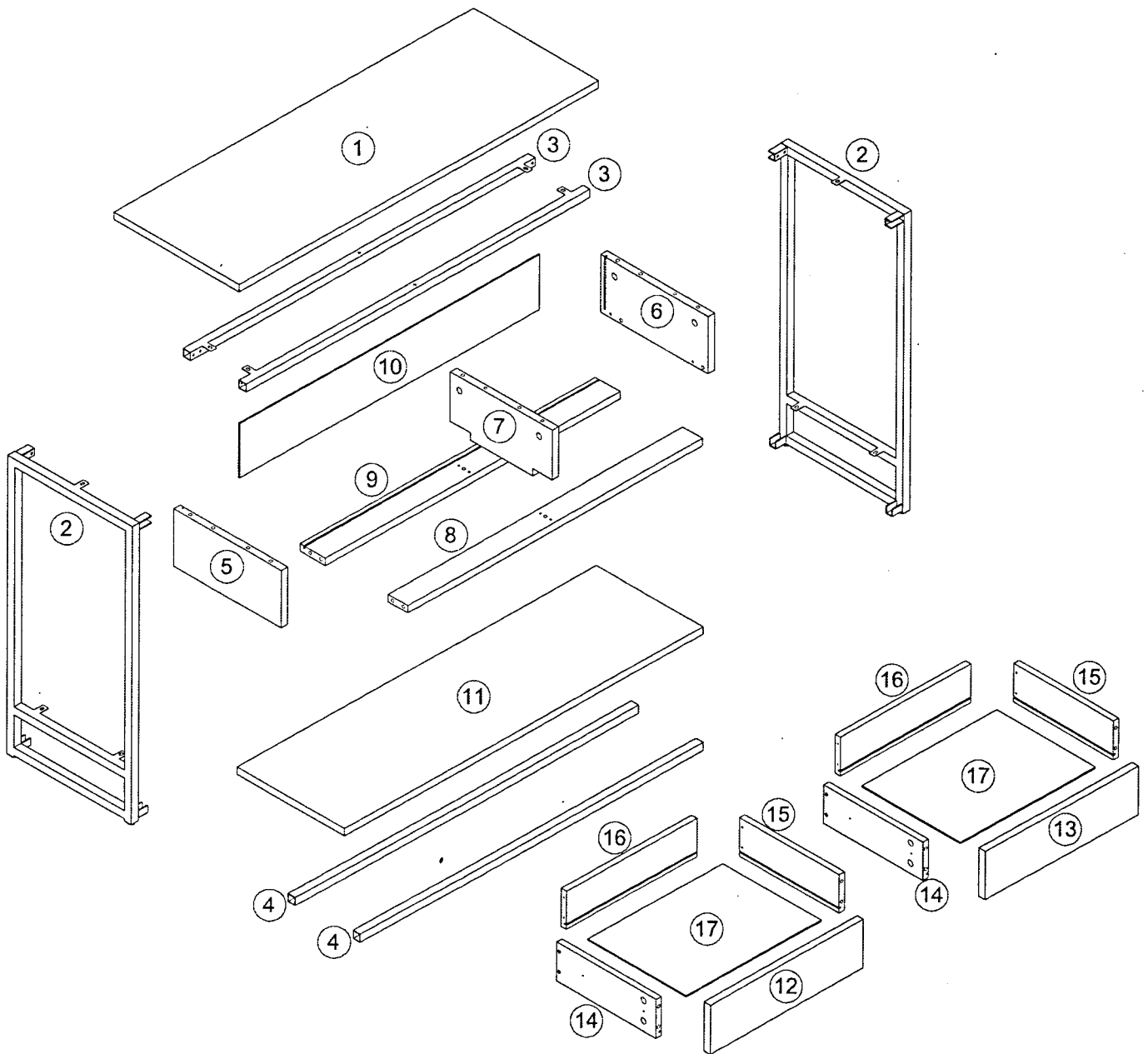
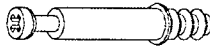


ITEM NO. 54317


Po 104308






Ax18 


Bx18 

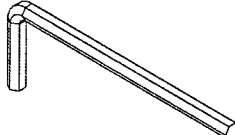
Cx24 


Ex12 

Fx13 

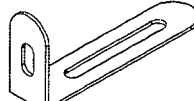
Gx24 

Hx4 

Jx1 

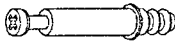
Kx1 

Lx1 

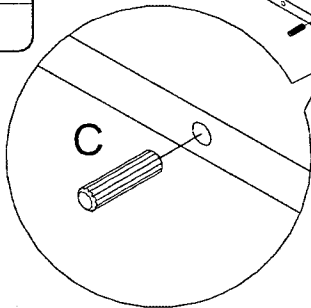
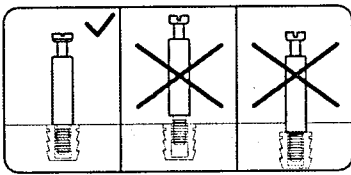
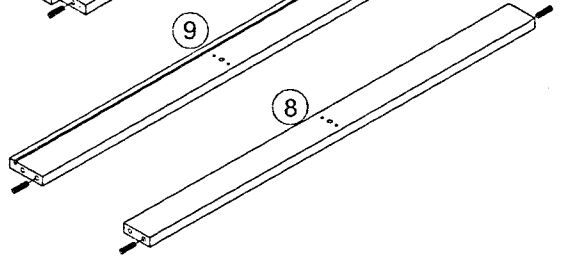
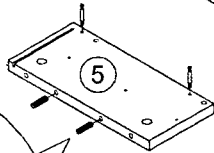
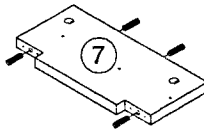
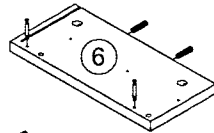
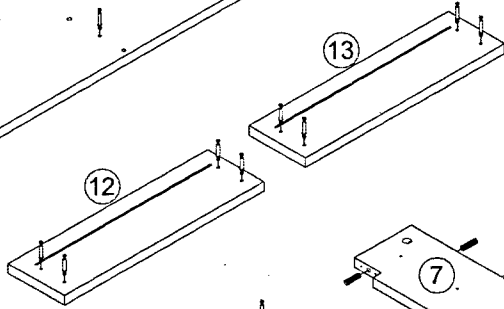
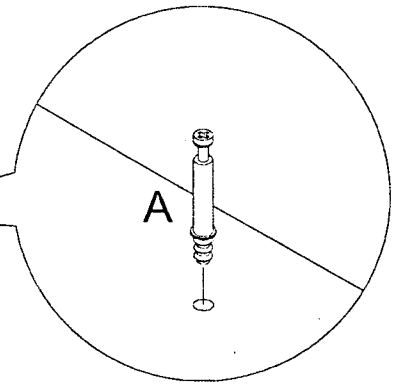
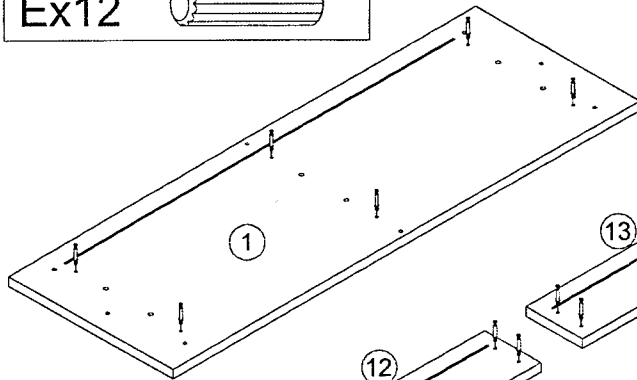
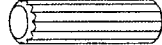
Mx1 

1

Ax18



Ex12

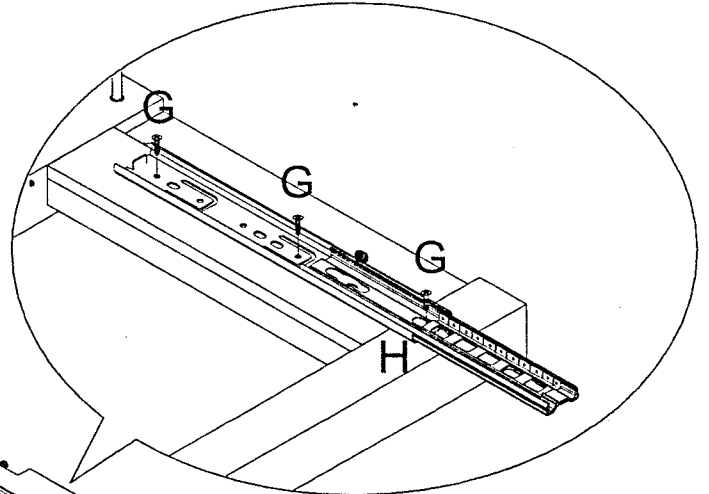
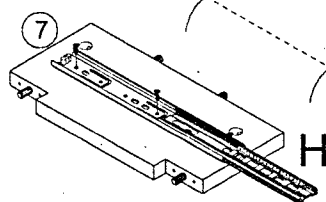
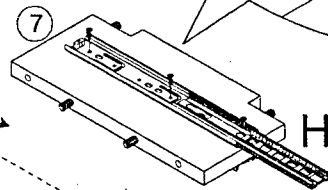
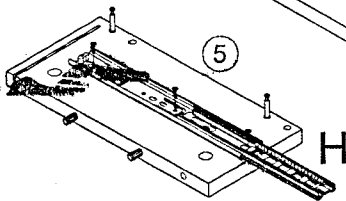
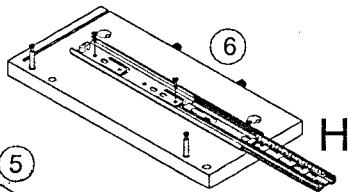
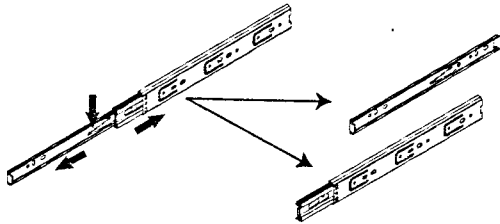
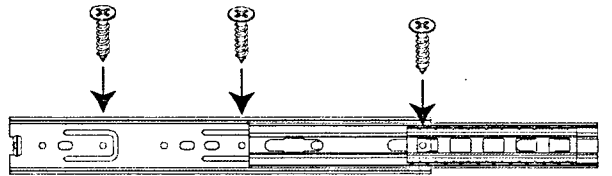


2


Gx12

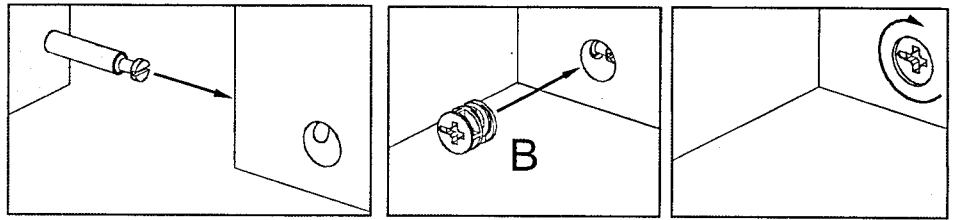
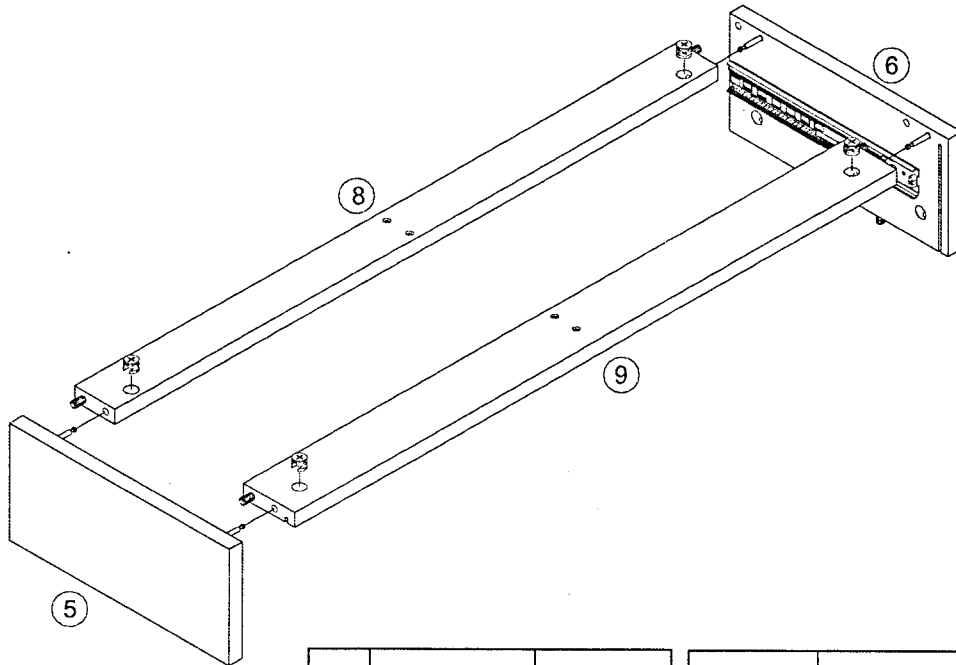


Hx4

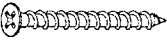


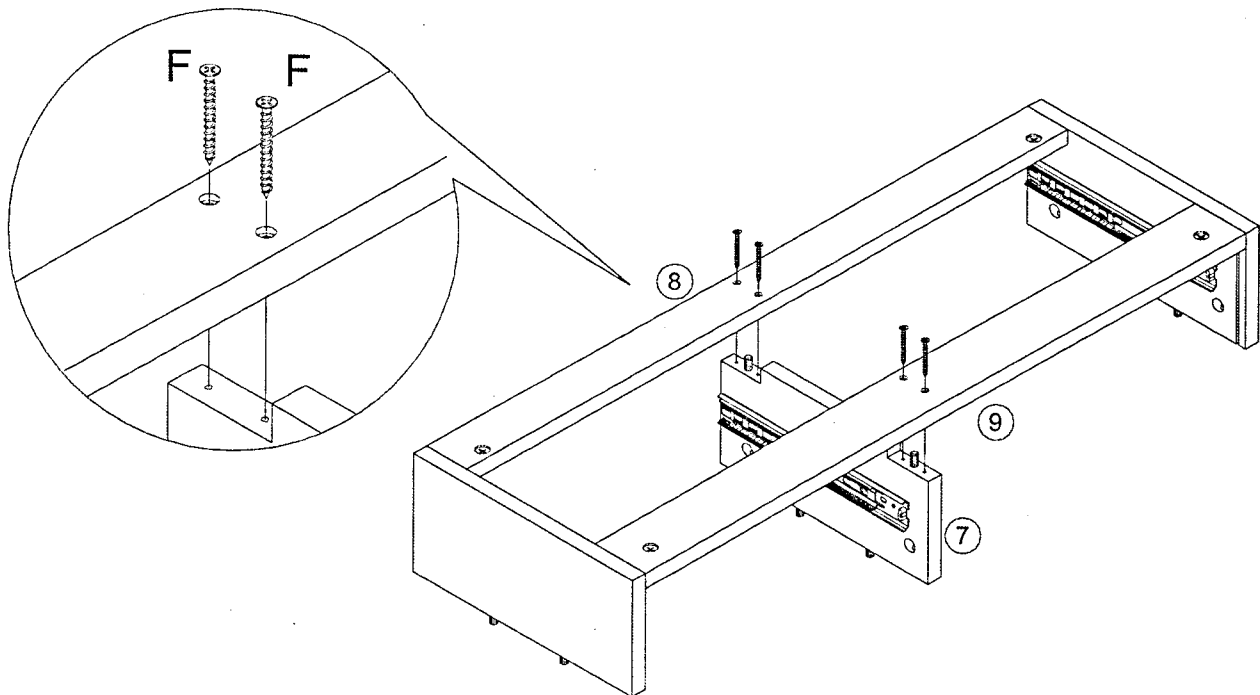
3

Bx4 

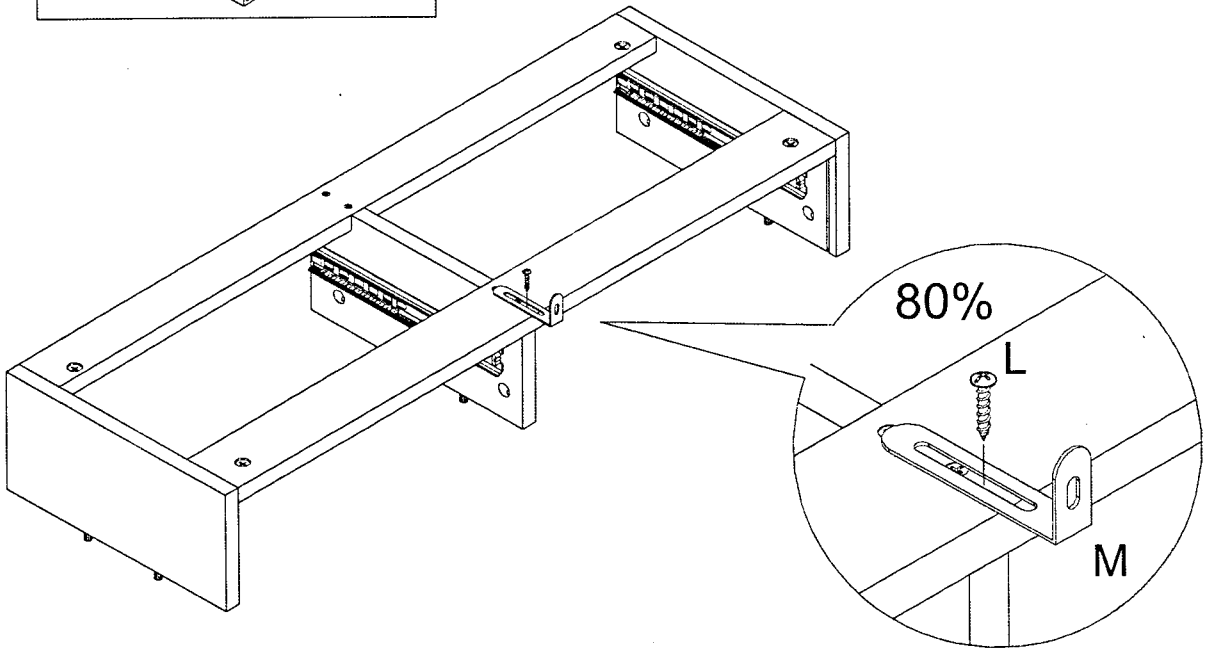
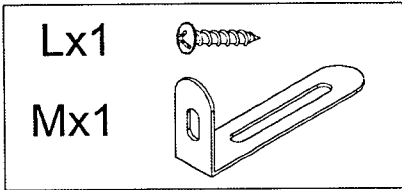


4

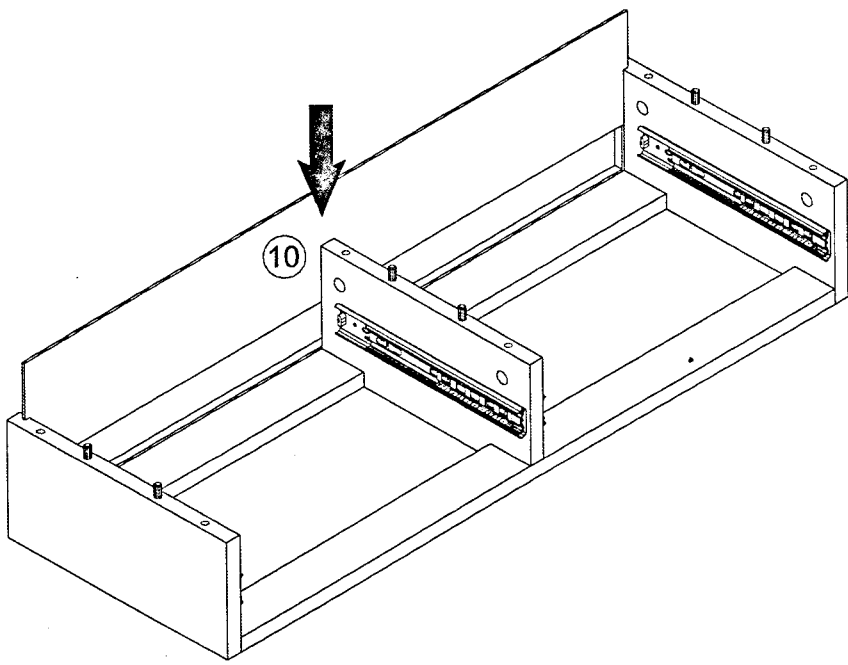
Fx4 



5

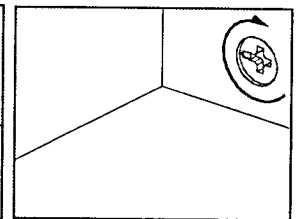
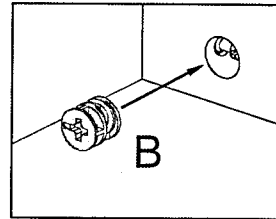
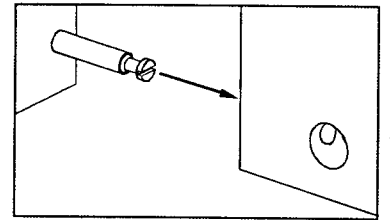
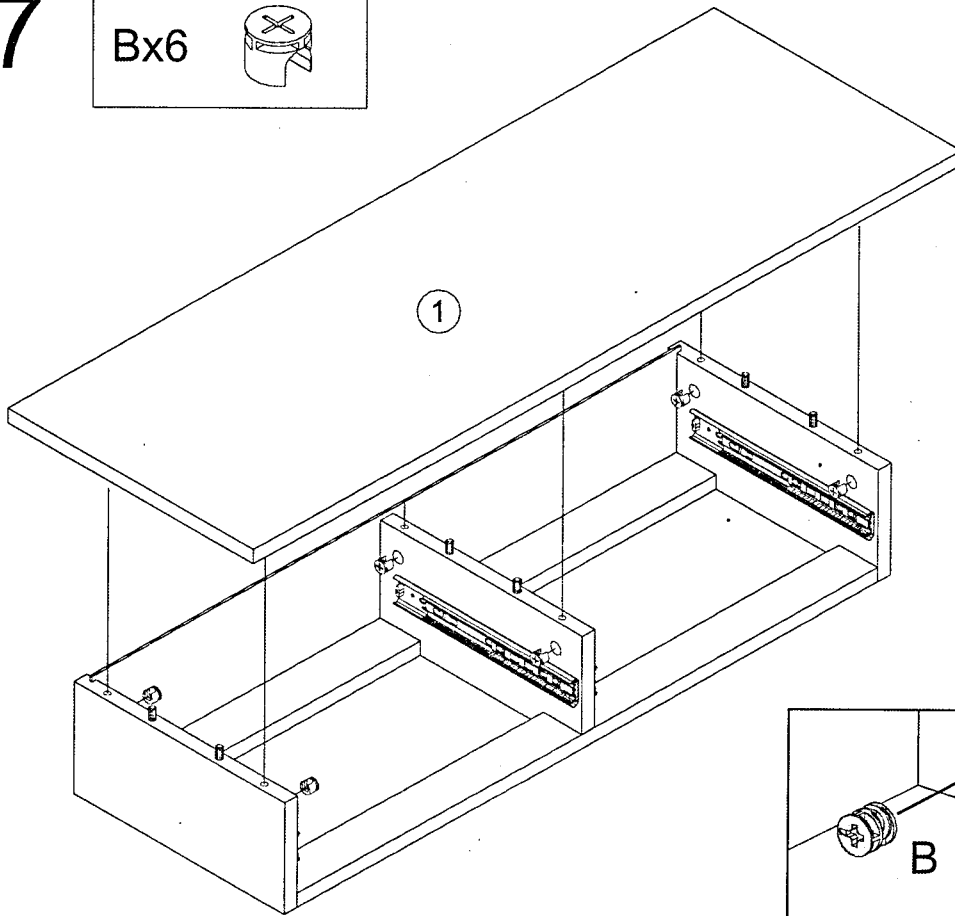


6



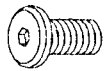
7

Bx6

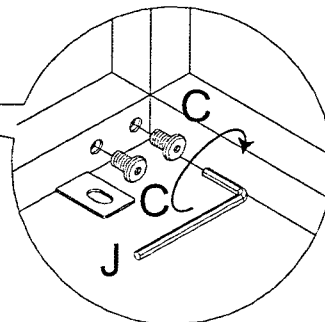
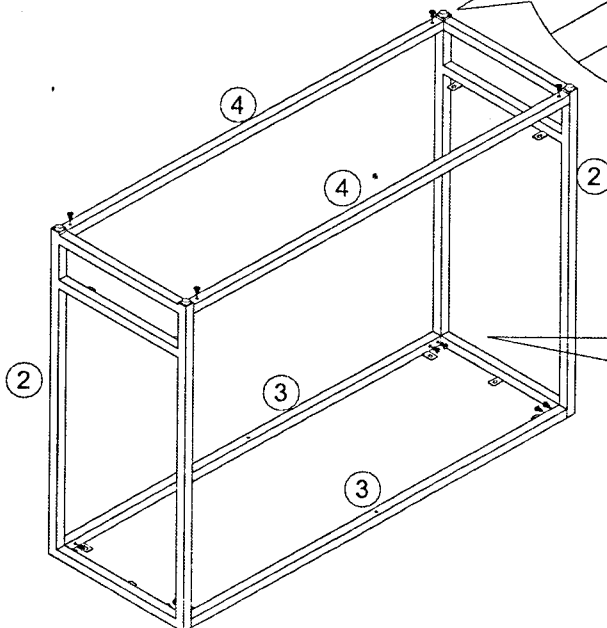
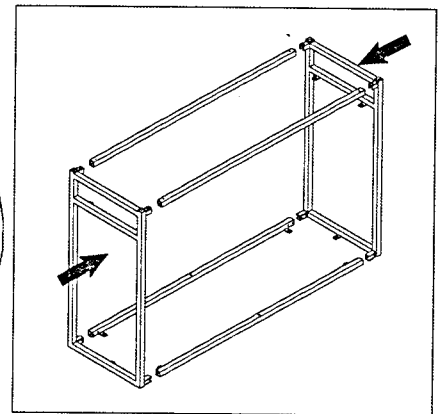
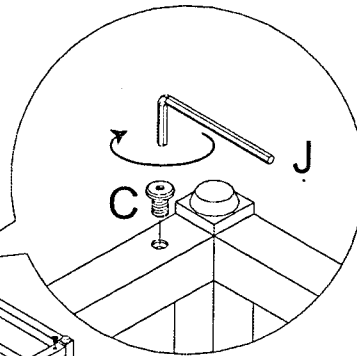
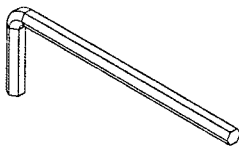


8

Cx12

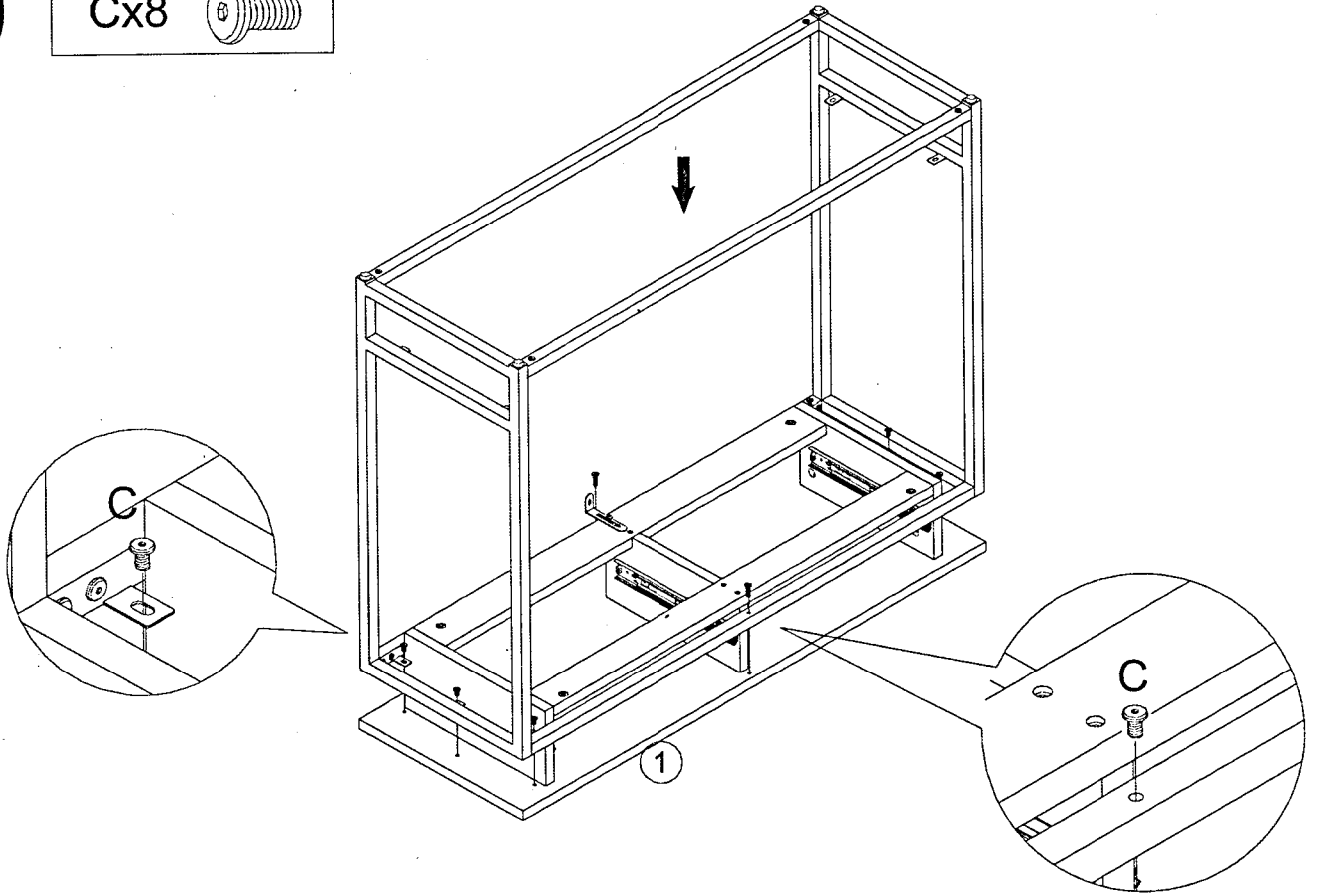
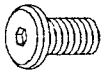


Jx1



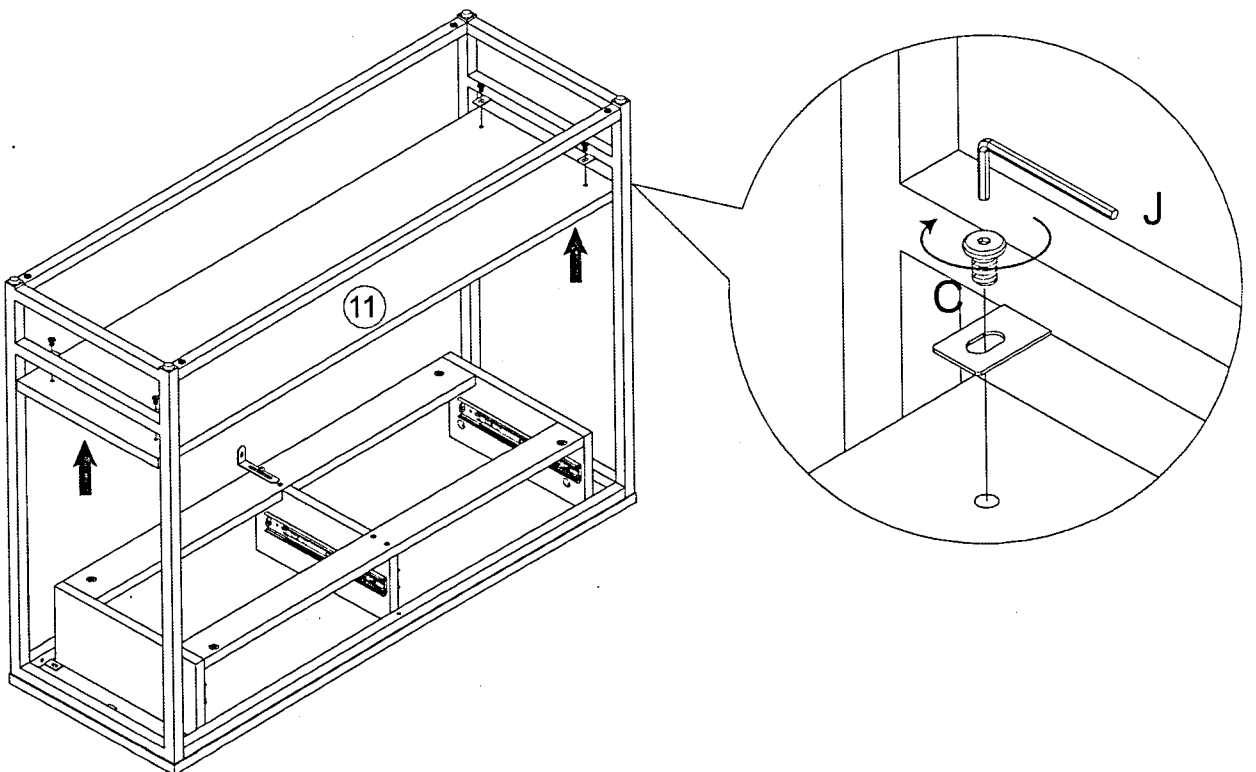
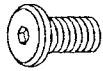
9

Cx8



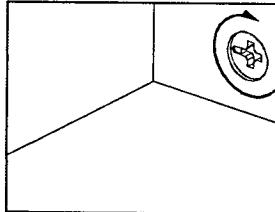
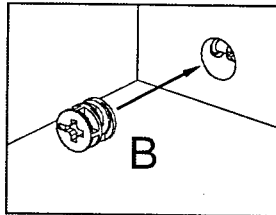
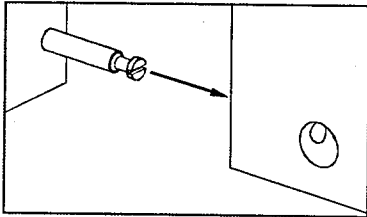
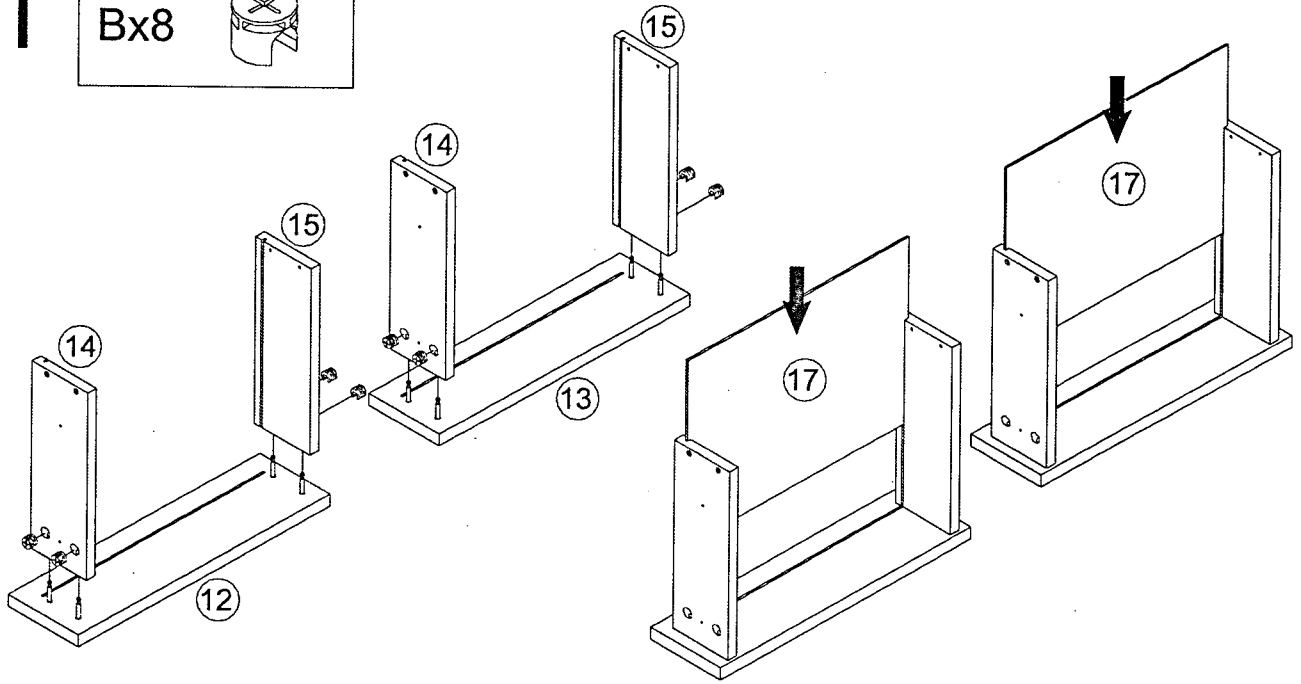
10

Cx4



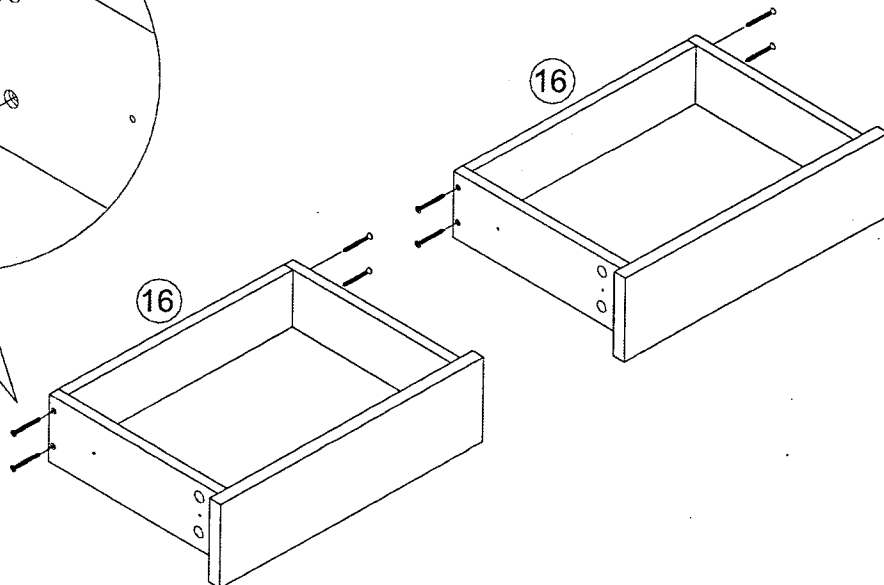
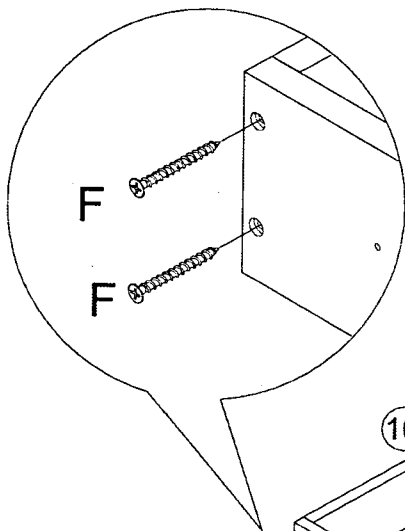
11

Bx8




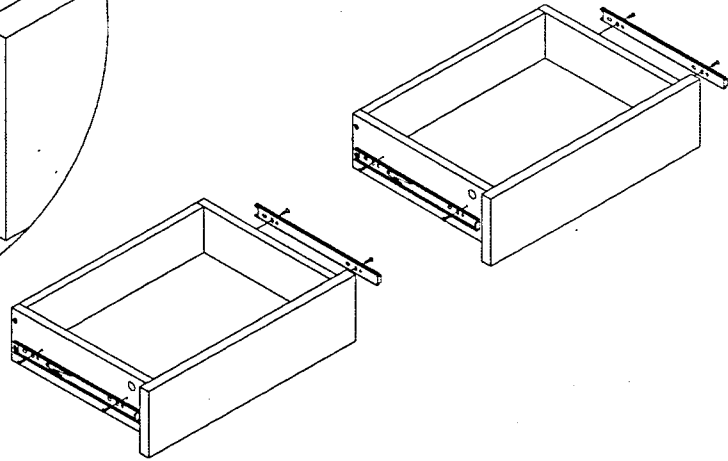
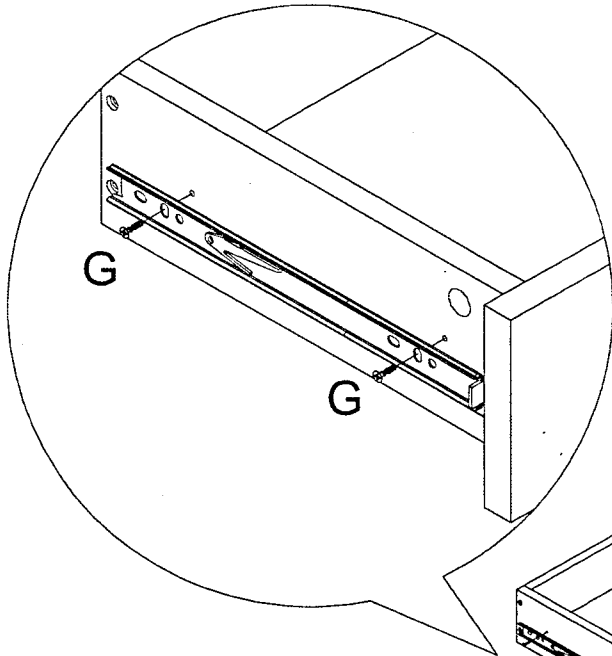
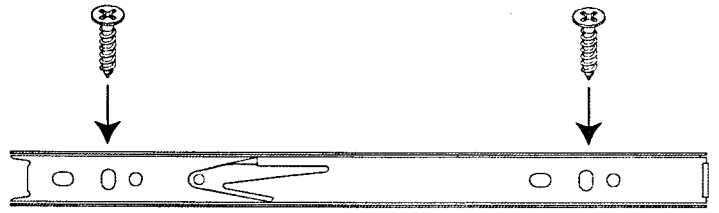
12

Fx8

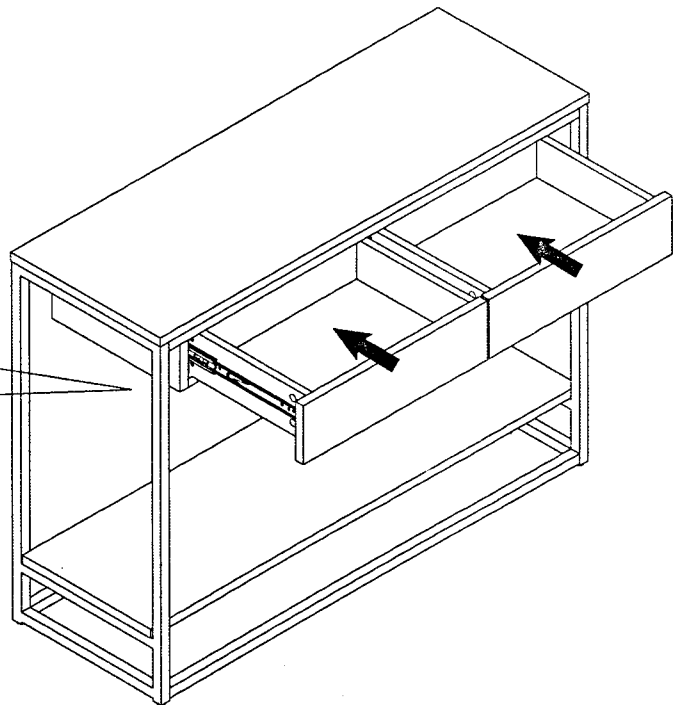
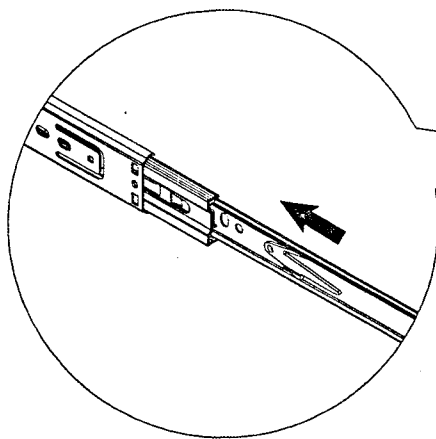


13


Gx8 

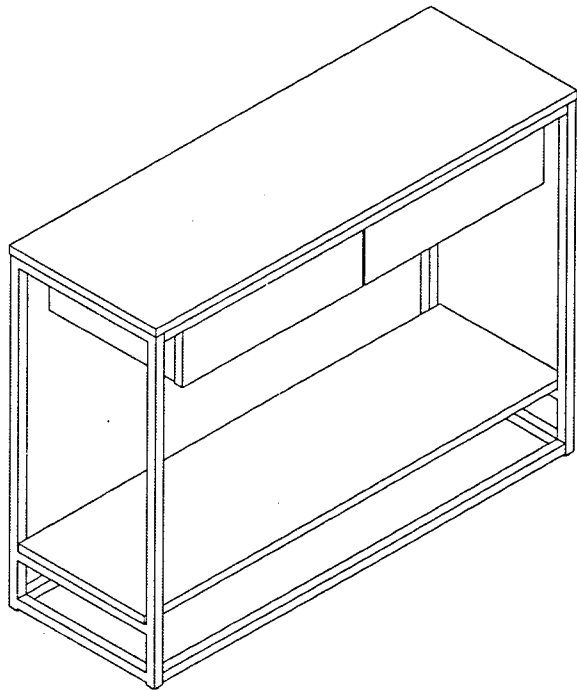
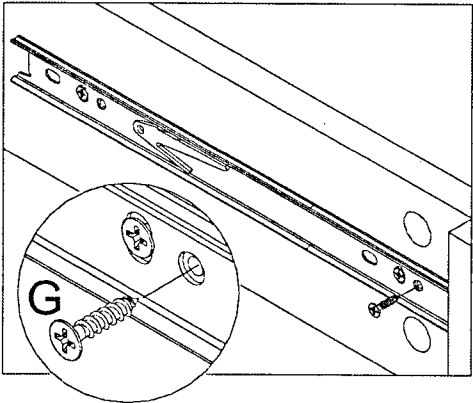
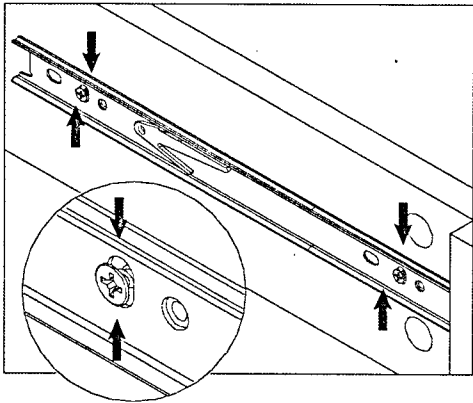
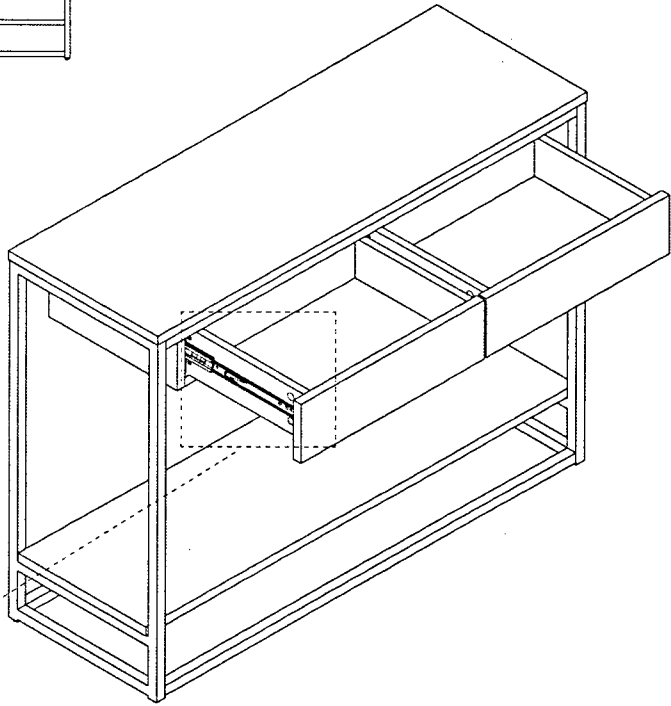
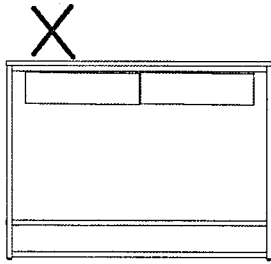
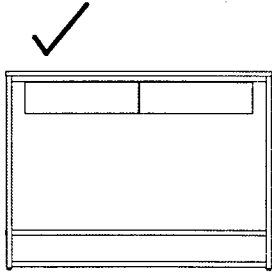


14

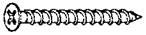
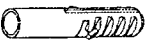


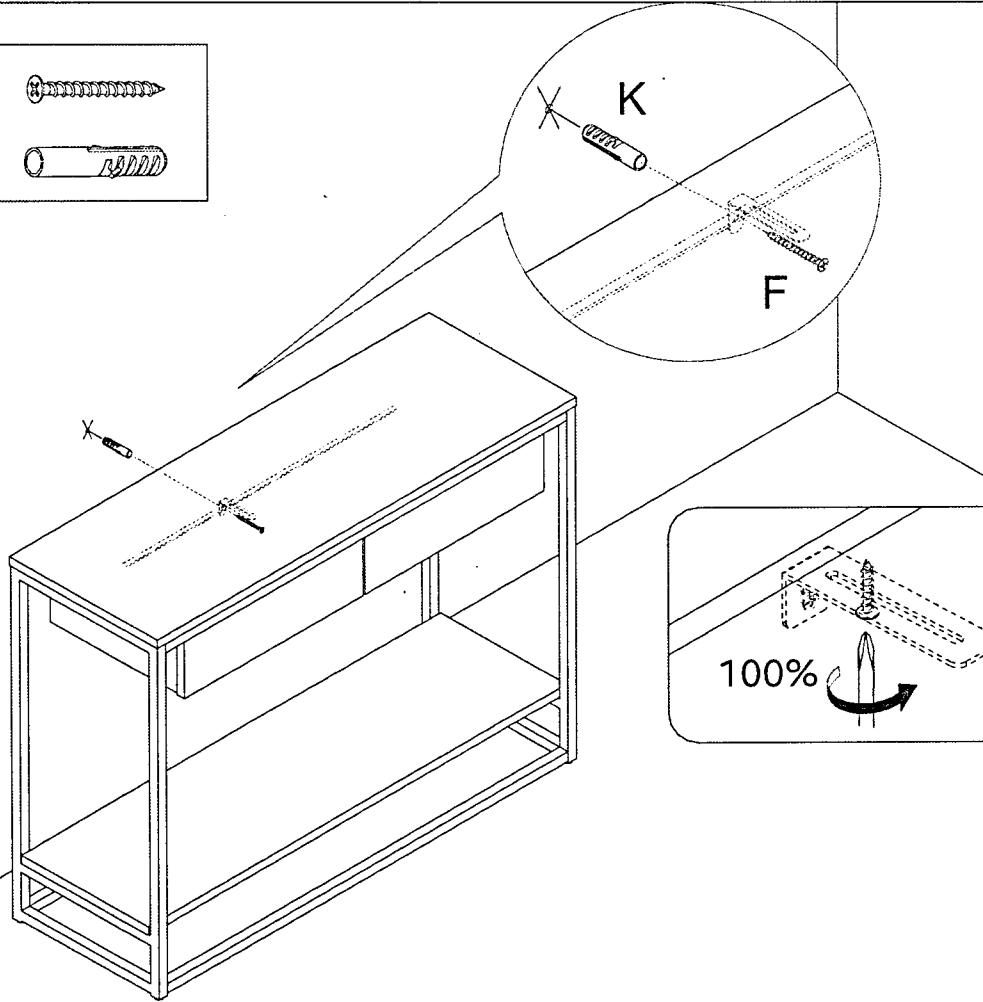
15

Gx4 



16

- Fx1 
- Kx1 



17

