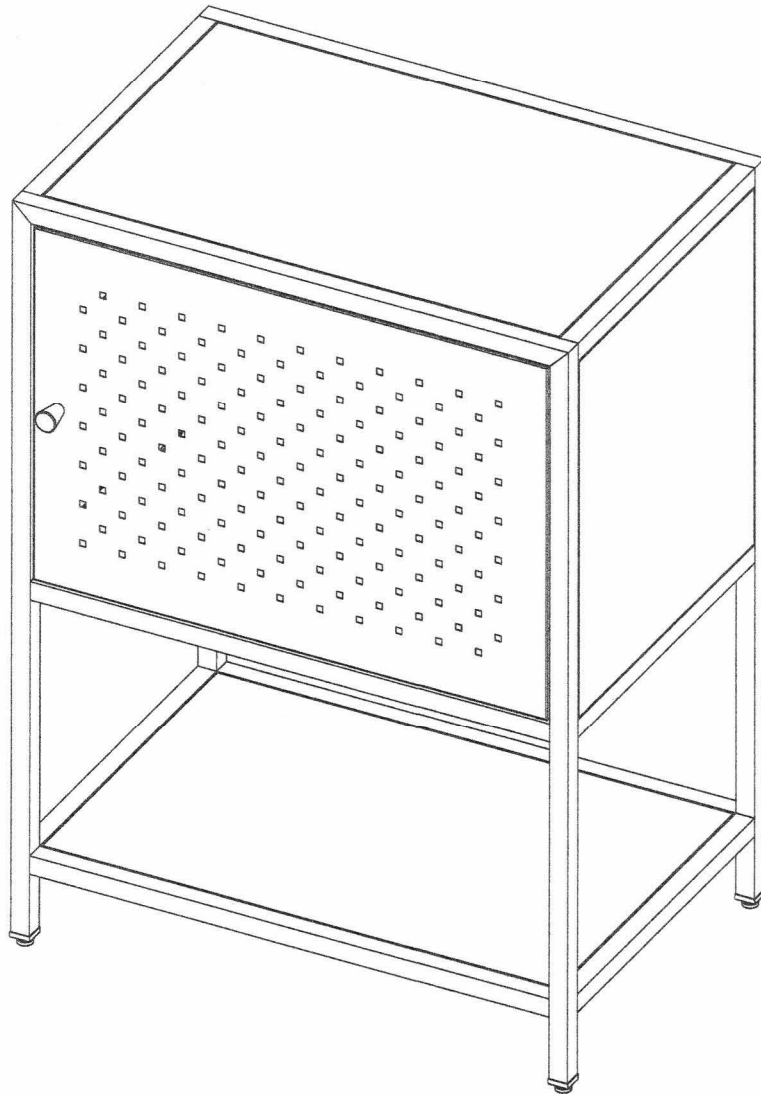
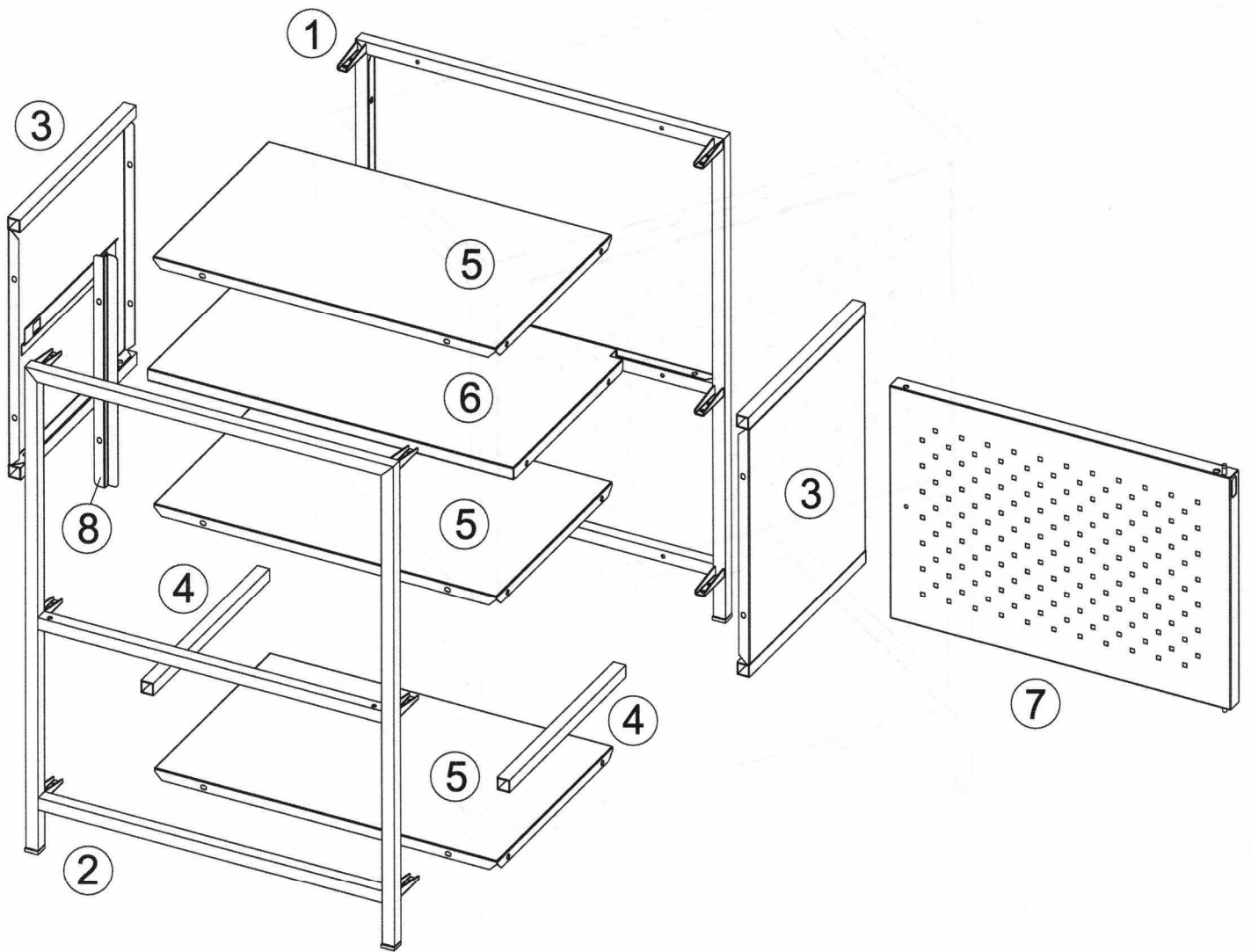


# Assembly Instruction 52148 & 52548

PO# 104231

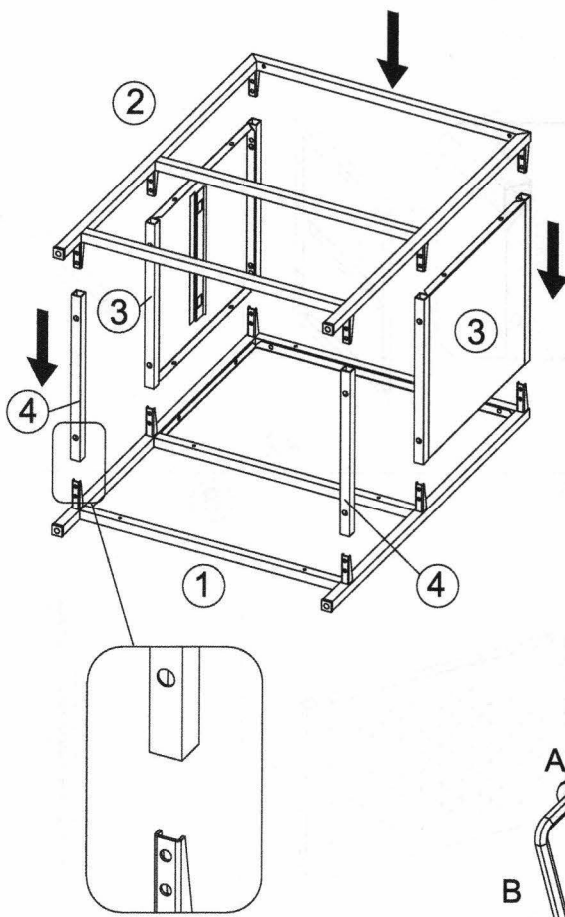




Assembly Instruction 821-43-0284

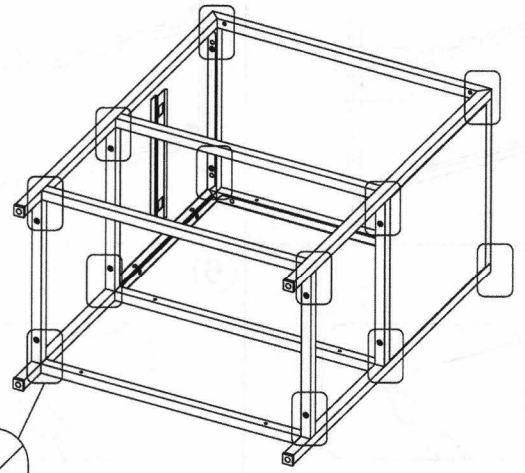


<p>①</p> <p>x1</p>	<p>②</p> <p>x1</p>	<p>③</p> <p>x2</p>	<p>④</p> <p>x2</p>
<p>⑤</p> <p>x3</p>	<p>⑥</p> <p>x1</p>	<p>⑦</p> <p>x1</p>	<p>⑧</p> <p>x1</p>
<p>A</p> <p>M6×10 mm x12</p>	<p>B</p> <p>x1</p>	<p>C</p> <p>x4</p>	<p>D</p> <p>M5×12 mm x14</p>
<p>E</p> <p>M4×4 mm x1</p>	<p>F</p> <p>x1</p>		

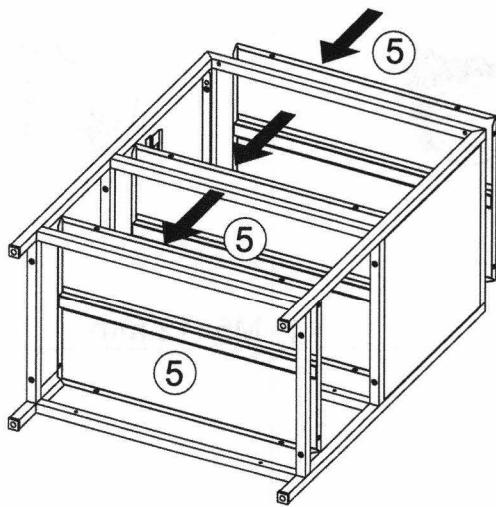
# 1





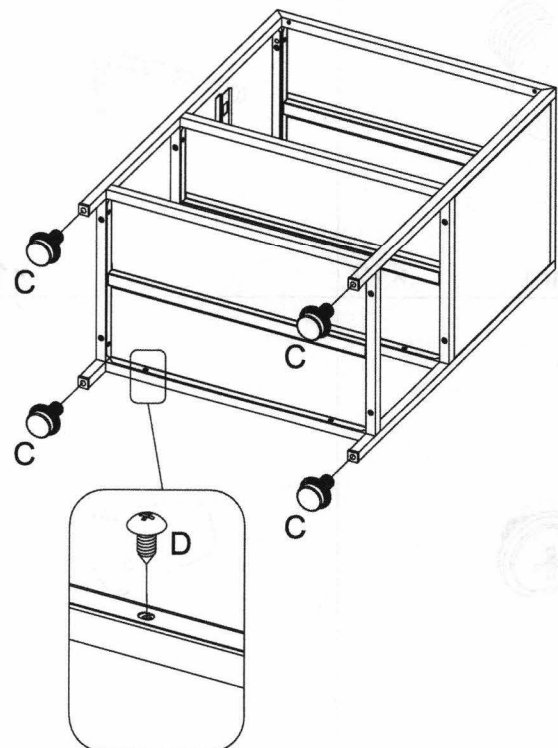
A × 12	B × 1
	
M6×10 mm	



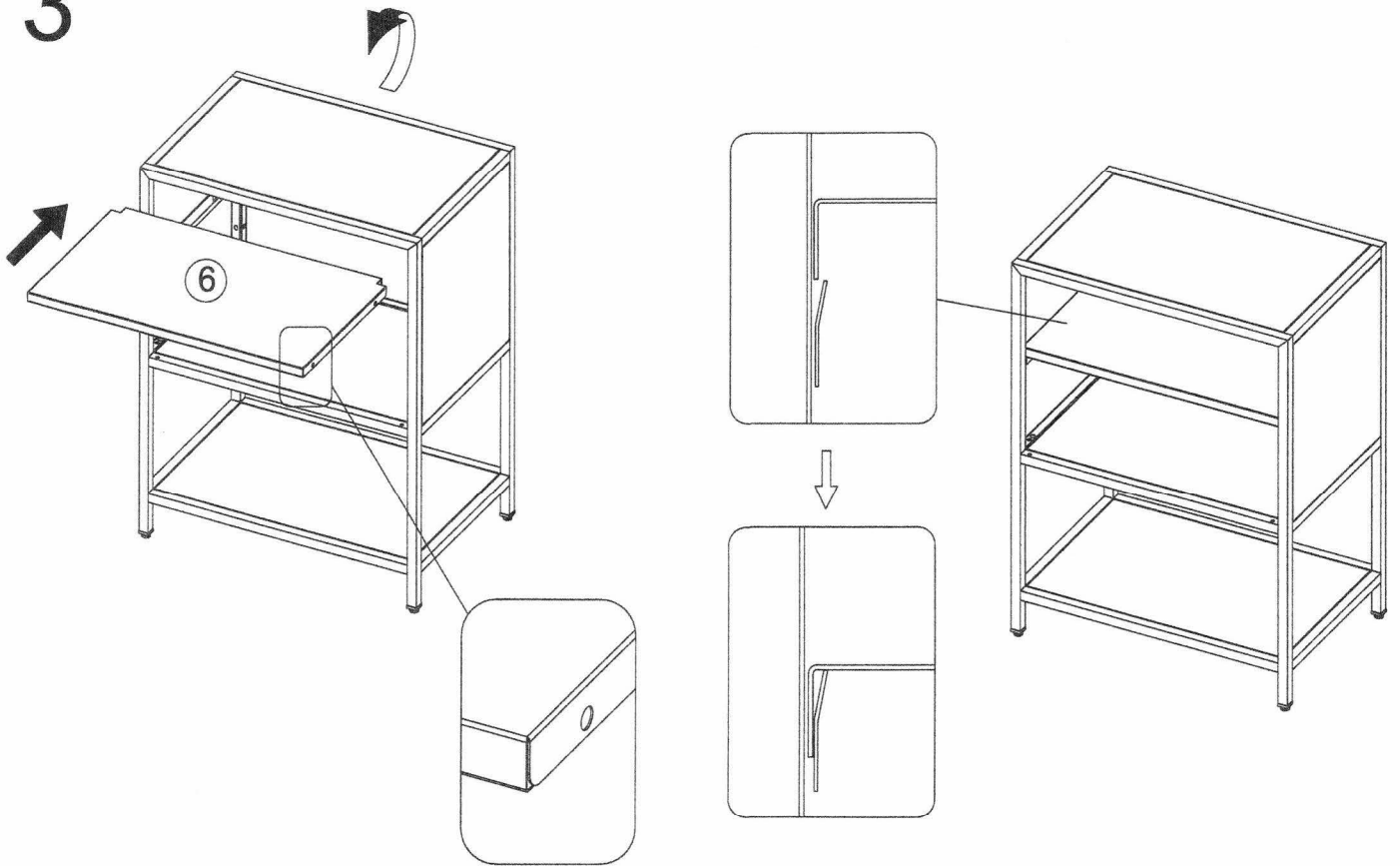
# 2



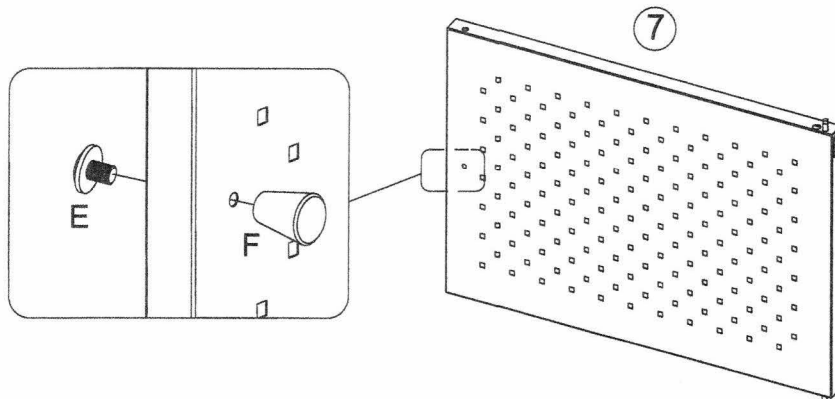
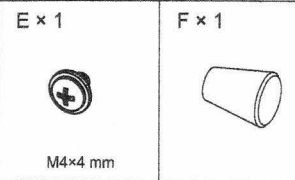
C × 4	D × 12
	
	M5×12 mm



# 3



# 4

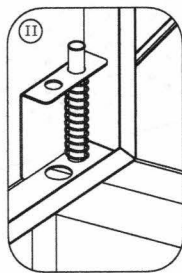
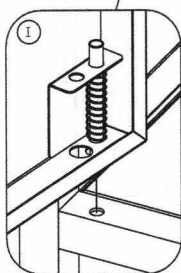
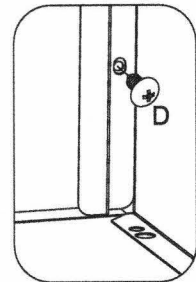
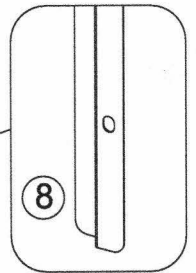
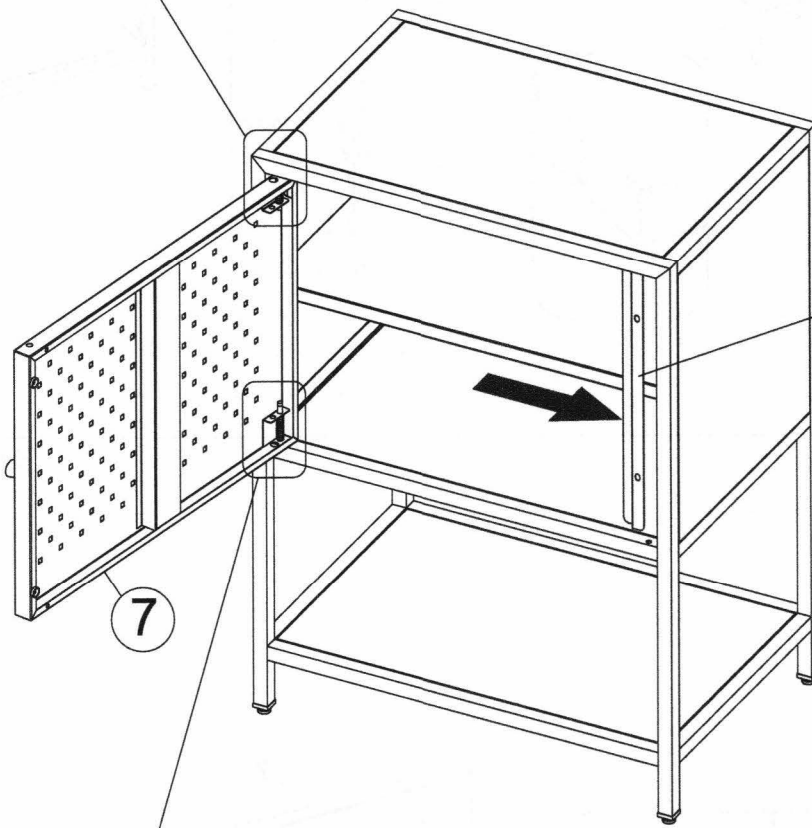
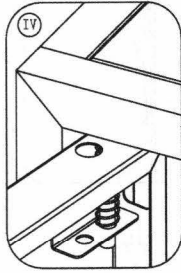
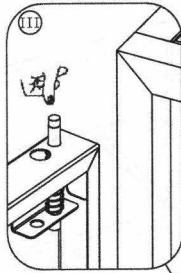


# 5

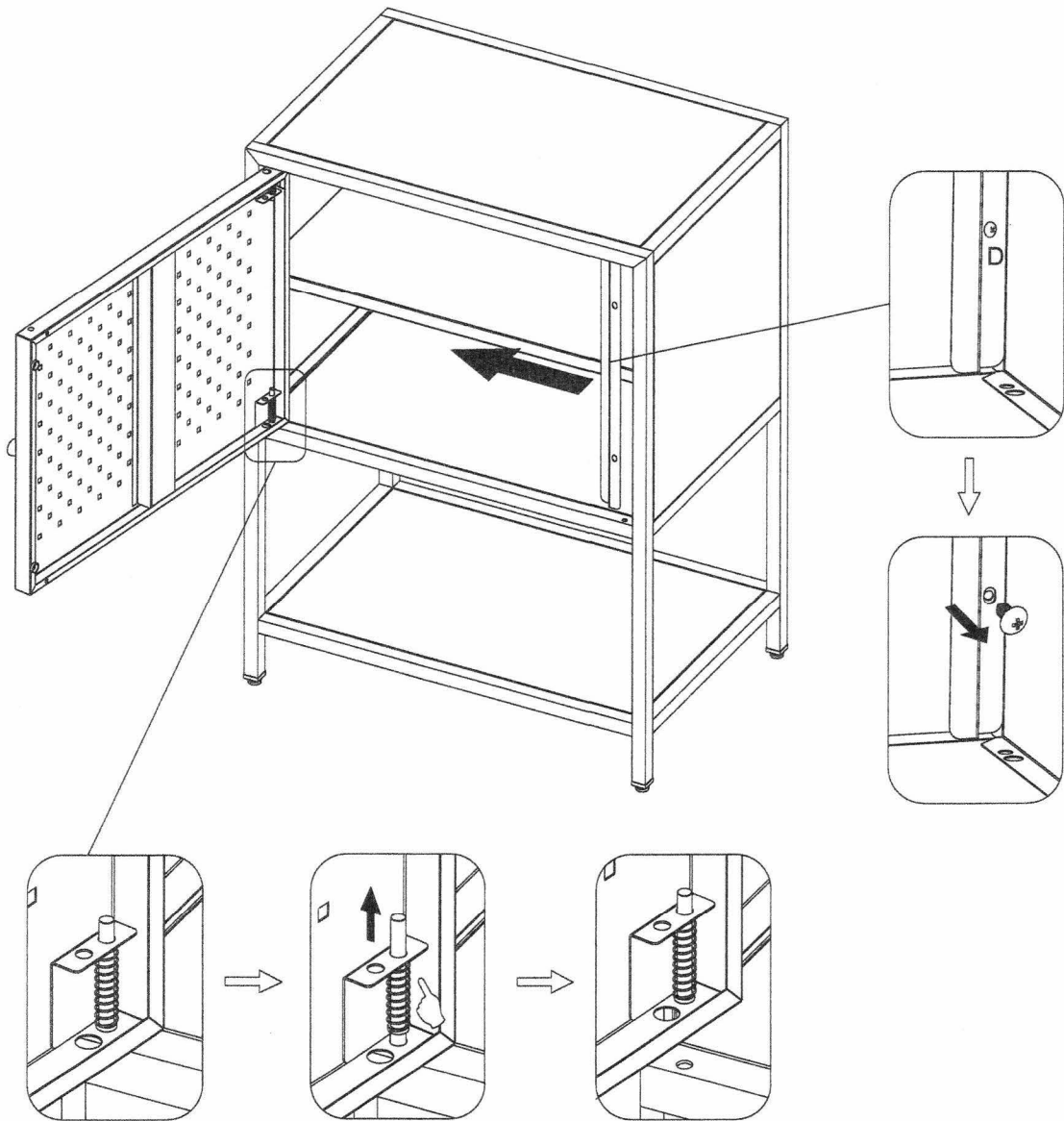
D × 2



M5×12 mm



6



# 7

D × 2



M5×12 mm

