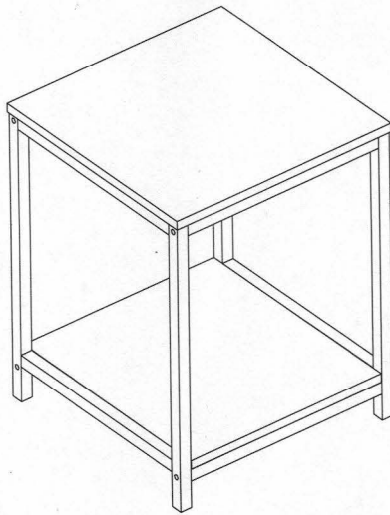


ASSEMBLY INSTRUCTIONS

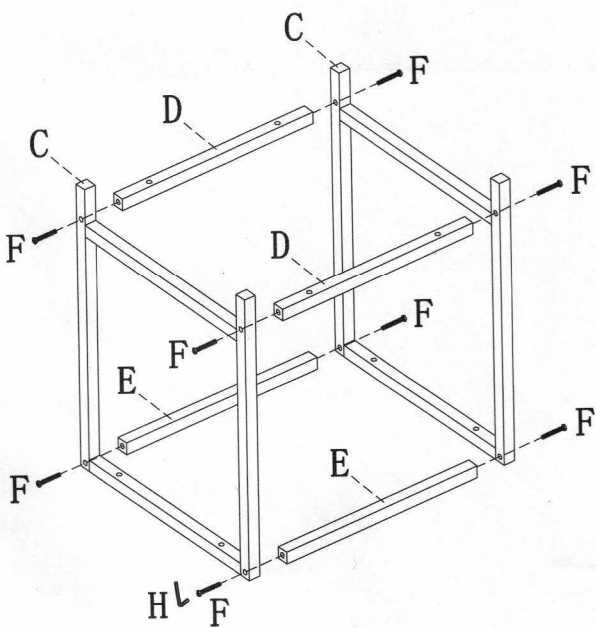
ITEM NO.:52572

Po# 104088



<p>A</p> <p>400 400</p> <p>1pc</p>	<p>B</p> <p>355 396</p> <p>1pc</p>	<p>C</p> <p>2pcs</p>	<p>D</p> <p>2pcs</p>	<p>E</p> <p>2pcs</p>	<p>F</p> <p>M6*35mm</p> <p>8pcs</p>	<p>G</p> <p>M6*30mm</p> <p>8pcs</p>	<p>H</p> <p>4mm</p> <p>1pc</p>
---	---	-----------------------------	-----------------------------	-----------------------------	--	--	---------------------------------------

①



②

