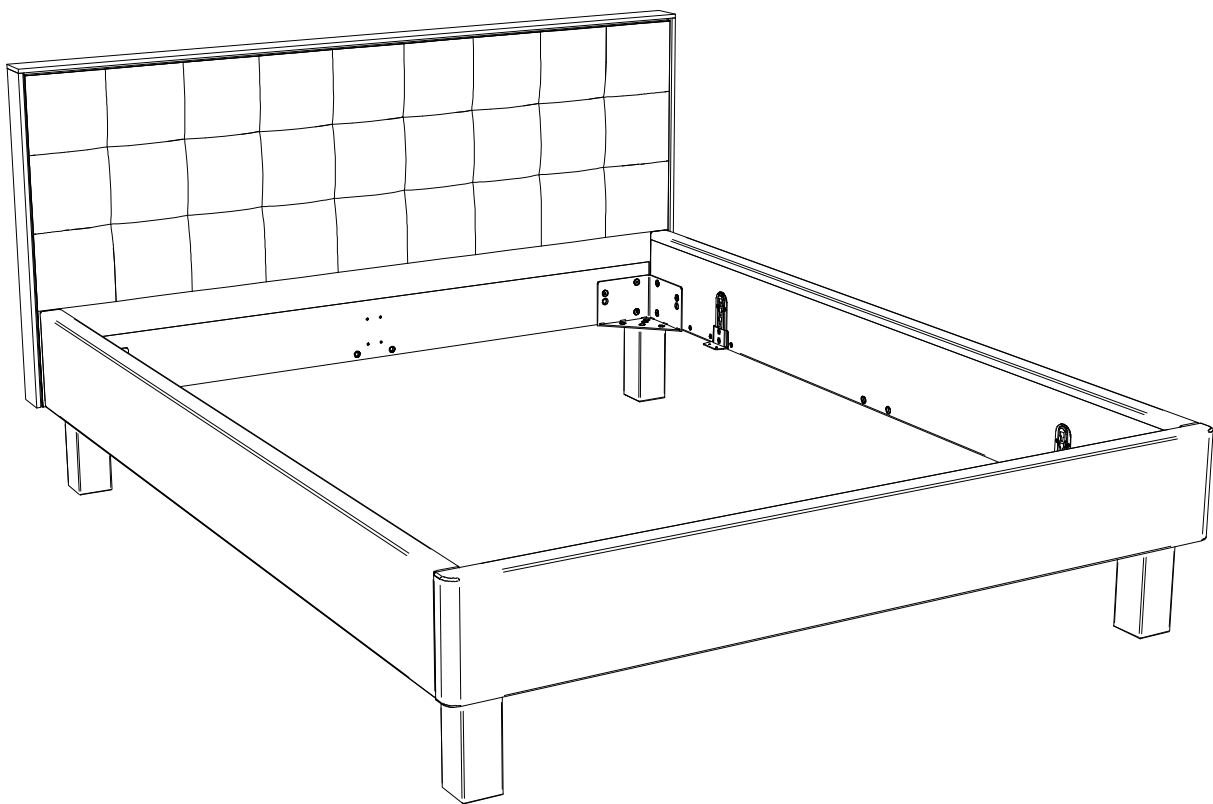
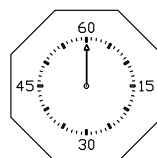
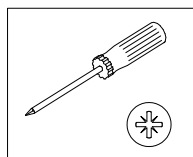


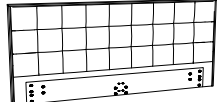
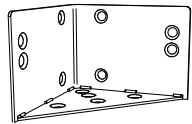
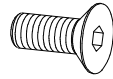
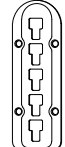
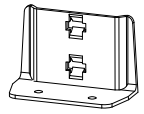
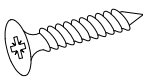

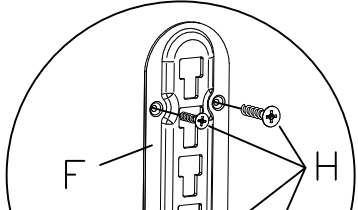


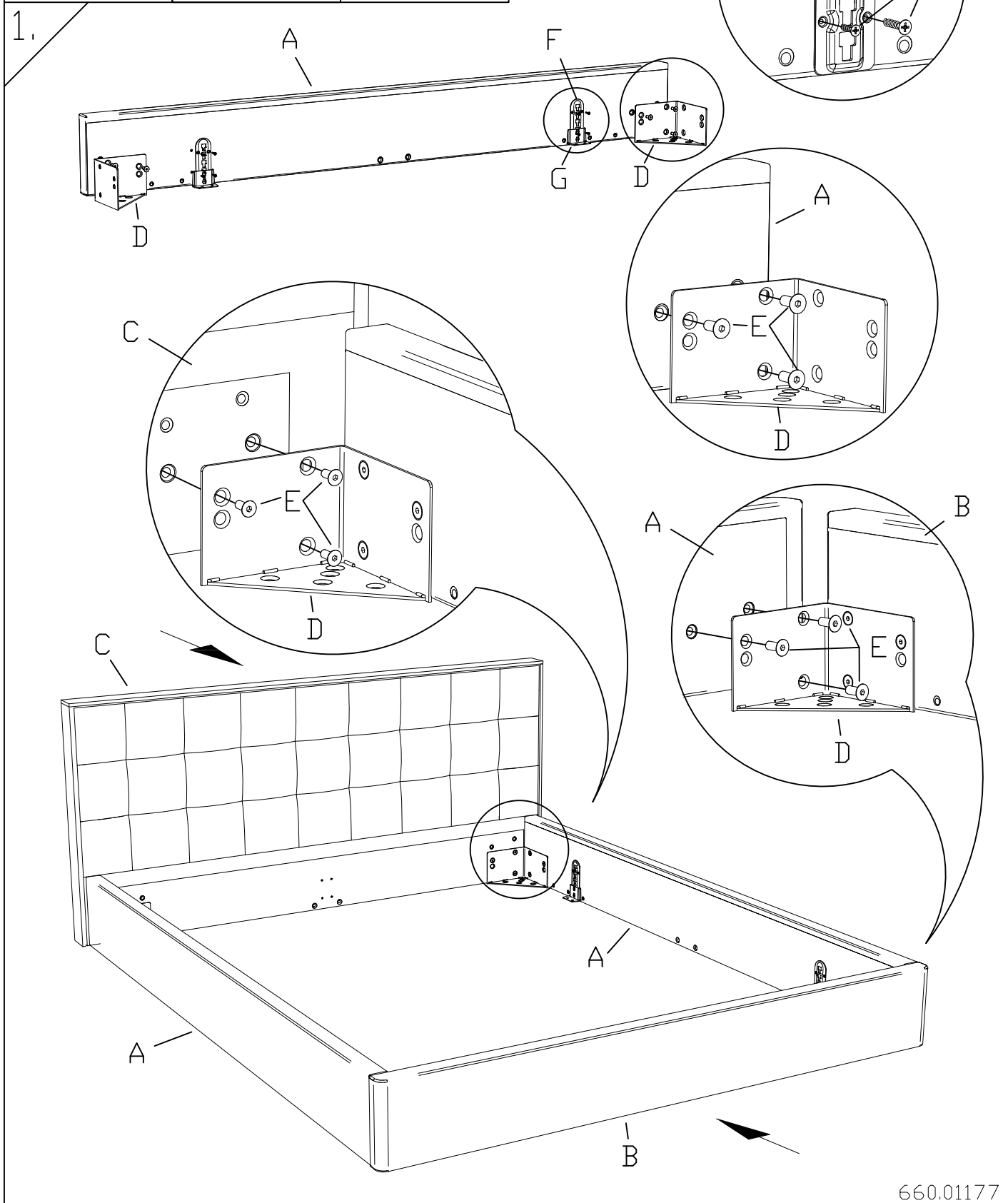
# Noah


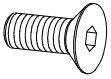


Benötigte Werkzeuge – Outils Nécessaires – Tools Required – Attrezzi Necessari

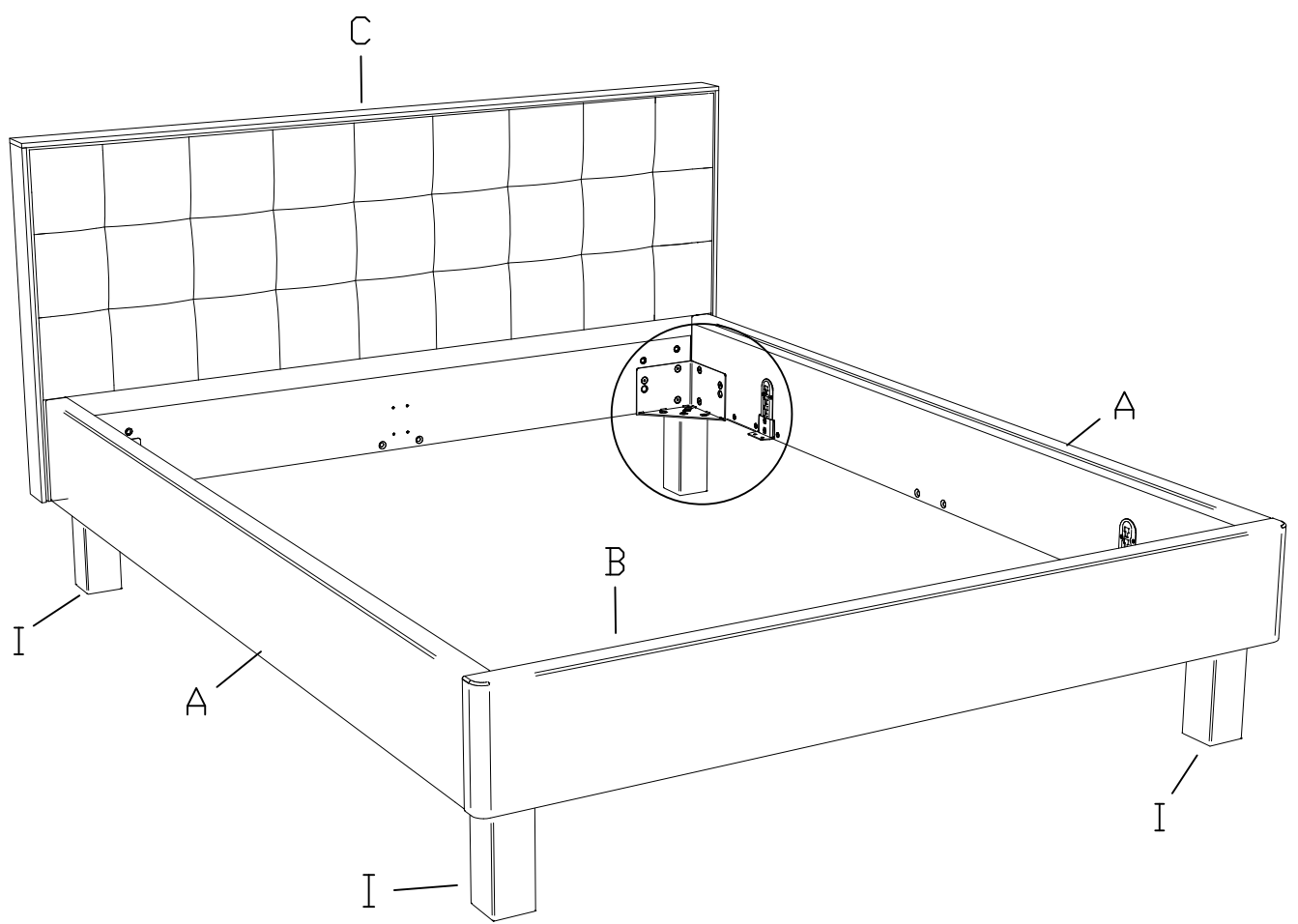
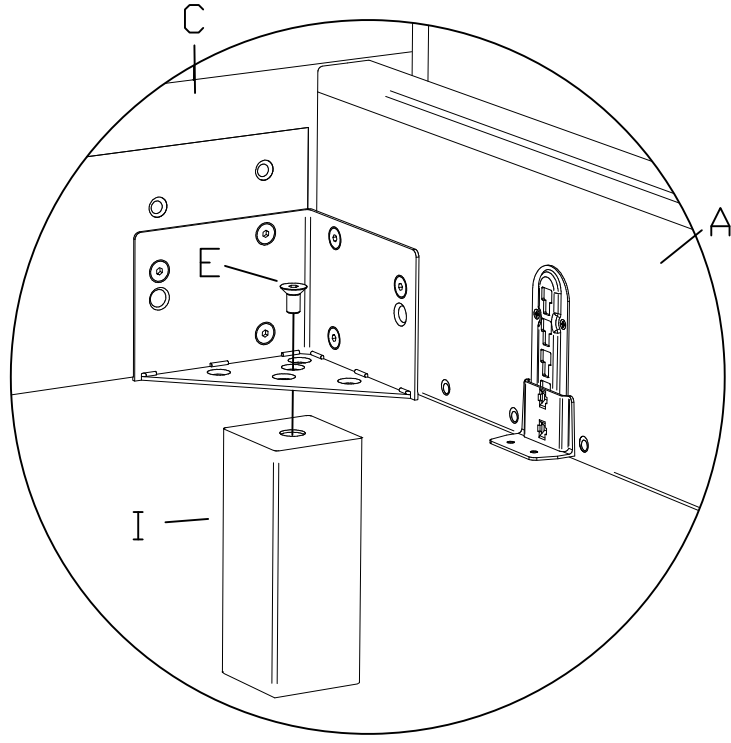


<p>A x2</p> 	<p>B x1</p> 	<p>C x1</p> 	<p>D x4</p>  <p>630.10142</p>	<p>E x24 M8x20</p>  <p>631.87200</p>	<p>F x4</p>  <p>630.141</p>
<p>G x4</p>  <p>630.142</p>	<p>H x16</p>  <p>631.303</p>	<p>Z x1</p>  <p>631.10000</p>			



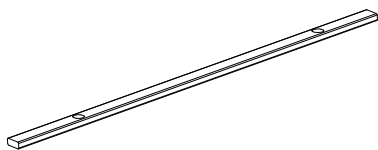
I ×4 	E ×4 M8×20  631.872
---	---

2.

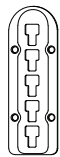


bei Breiten ab 160cm  
for widths from 160cm  
à partir des dimensions 160cm  
della misura 160cm

L x1

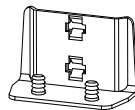


M x2



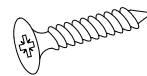
630.141

N x2



630.143

H x8



631.303

□ x4



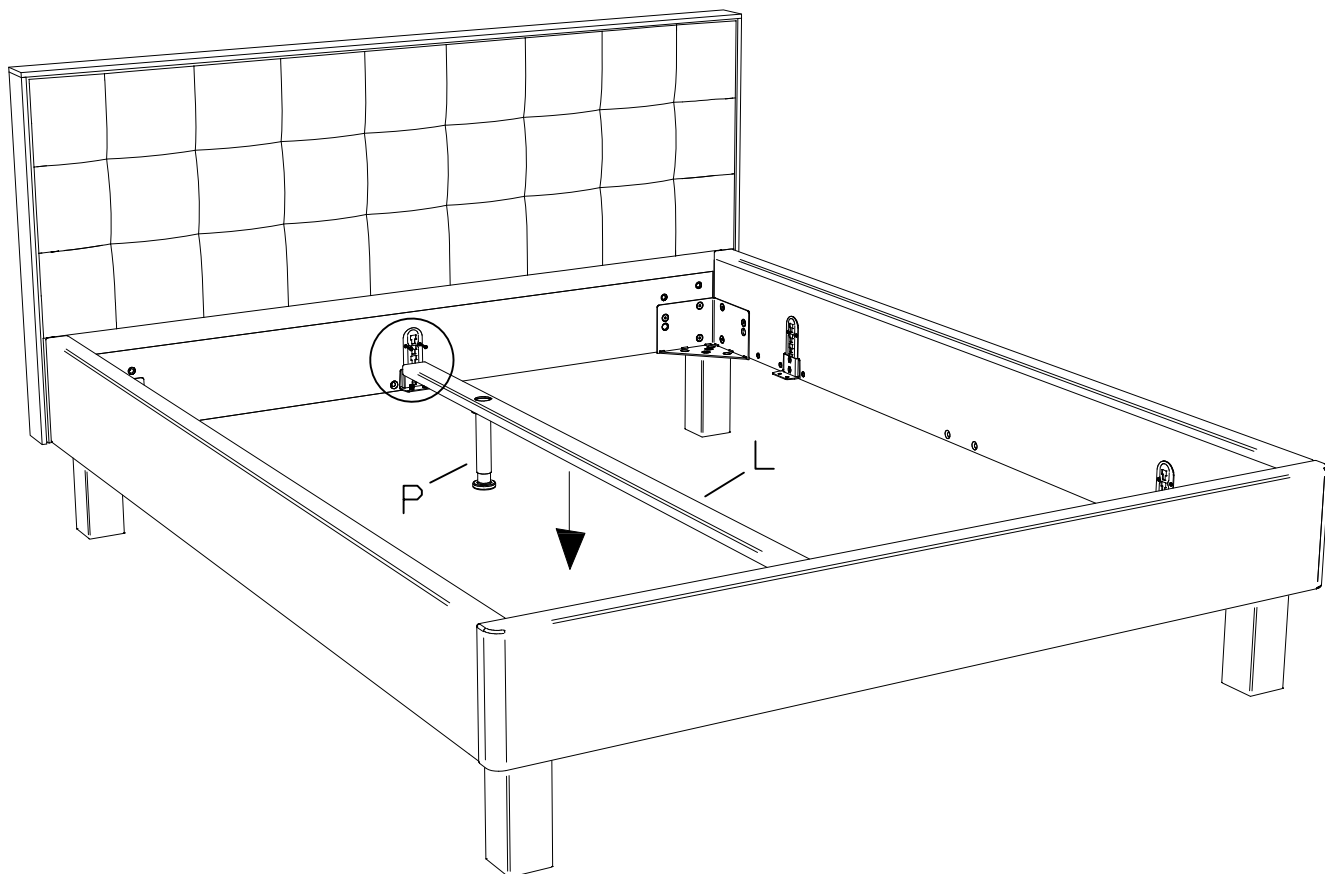
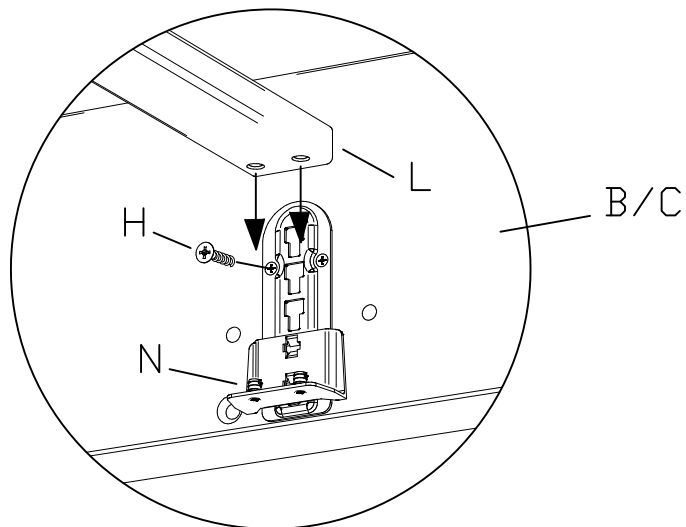
630.177

P x2



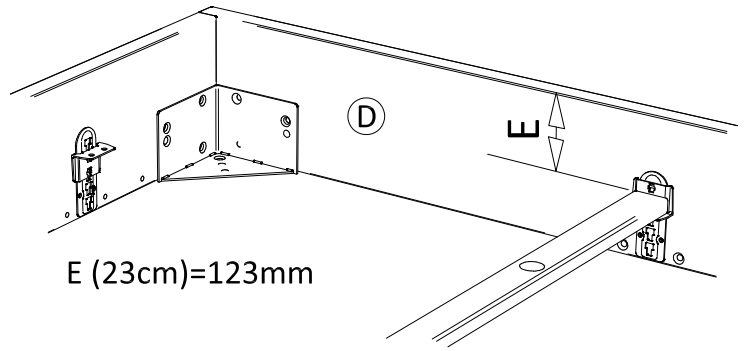
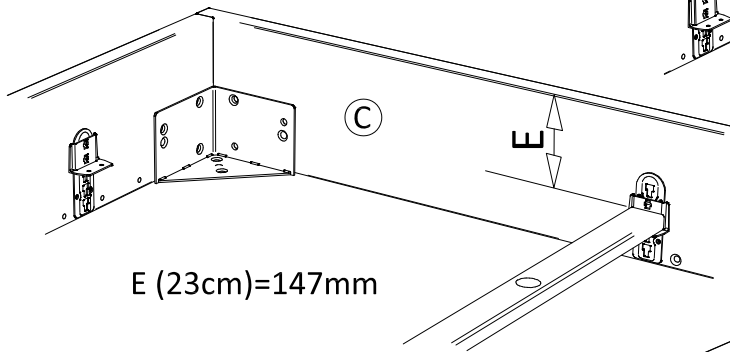
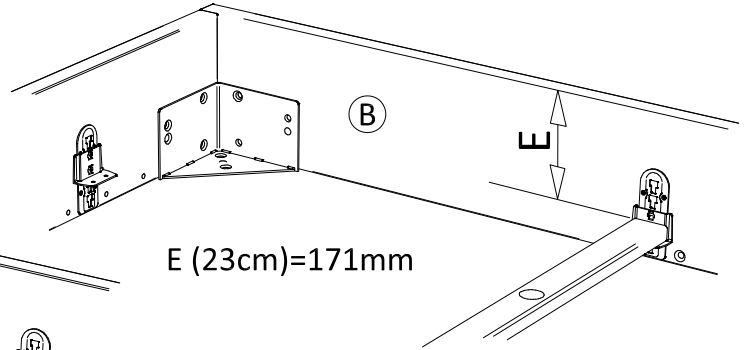
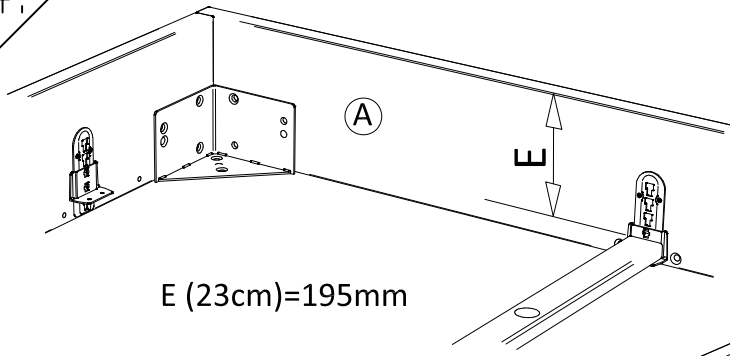
630.185

3.



4.

E = Einlegetiefe  
 E = hauteur encastrable  
 E = insertion depth  
 E = altezza incasso

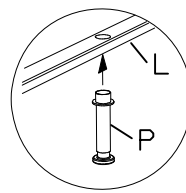


Bettfusshöhe  
 Height of feet for bed  
 Hauteur des pieds de lit  
 Altezza piede

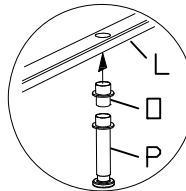
Mittelfusshöhe  
 Height of middle feet  
 Hauteur des pieds médians  
 Altezza piede centrale



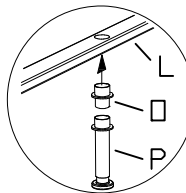
**A / B** →



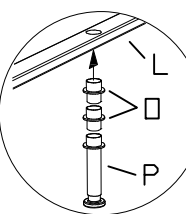
**C / D** →



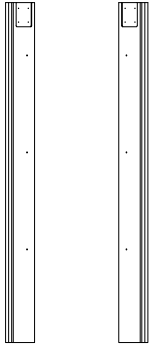
**A / B** →



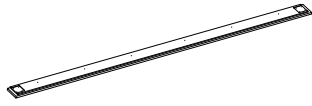
**C / D** →



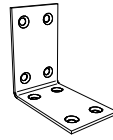
Q x1



R x1



S x2



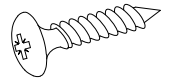
790.05916

T x16



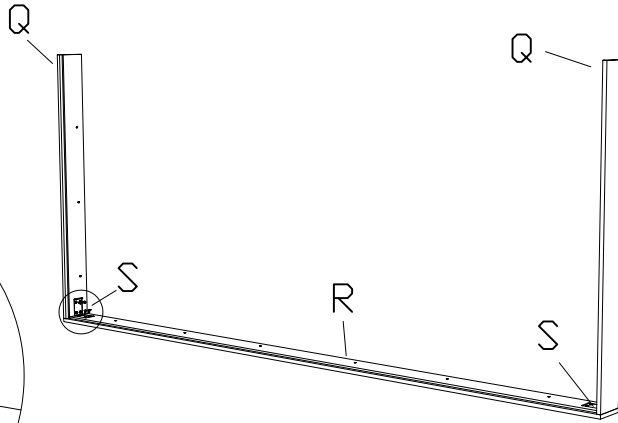
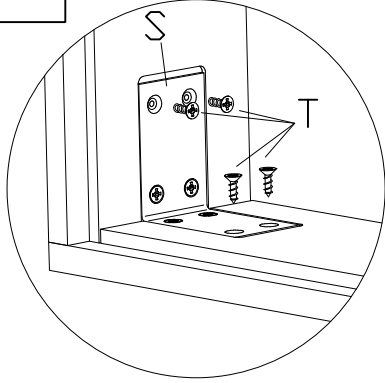
631.24000

U x12

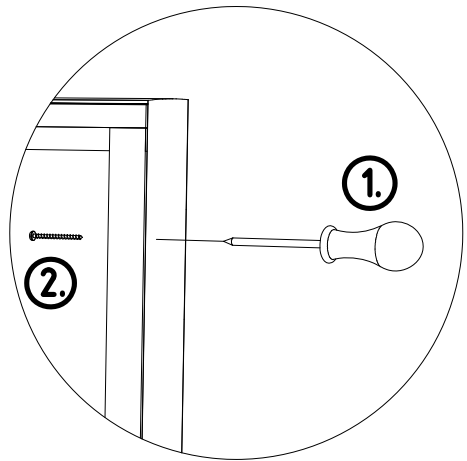
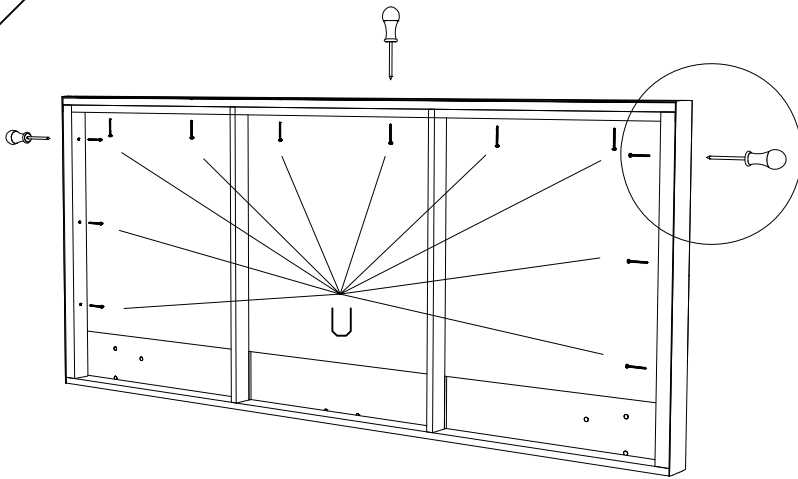


631.31100

5.



6.



7.

