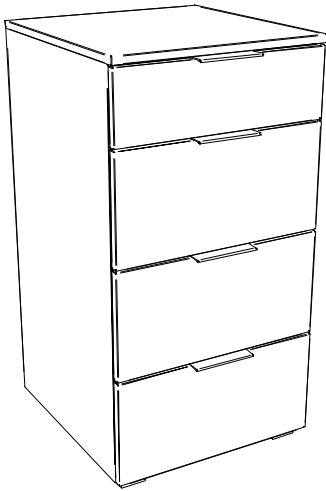


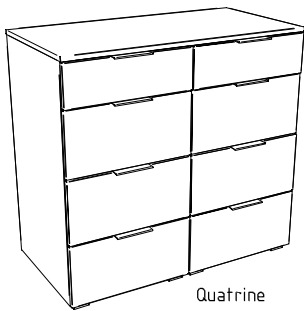
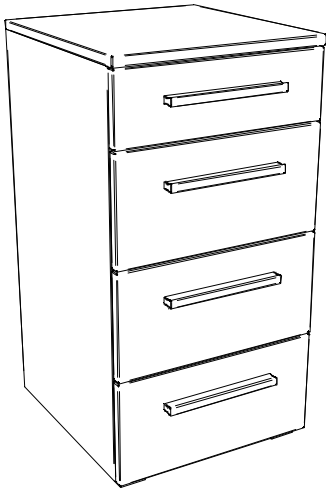
Quatro



Atrine



Option...



Quatrine

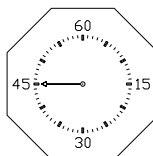
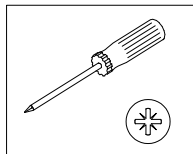


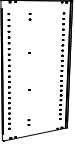
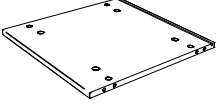
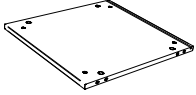
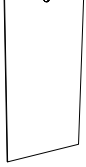
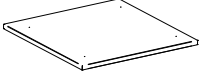
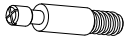
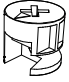
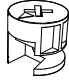
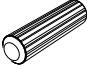

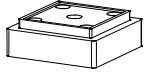
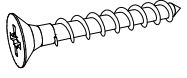
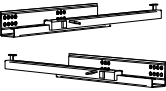

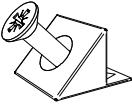
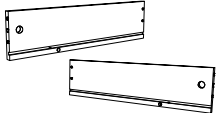

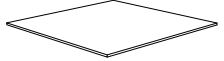

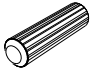
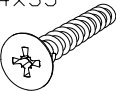

Incentro

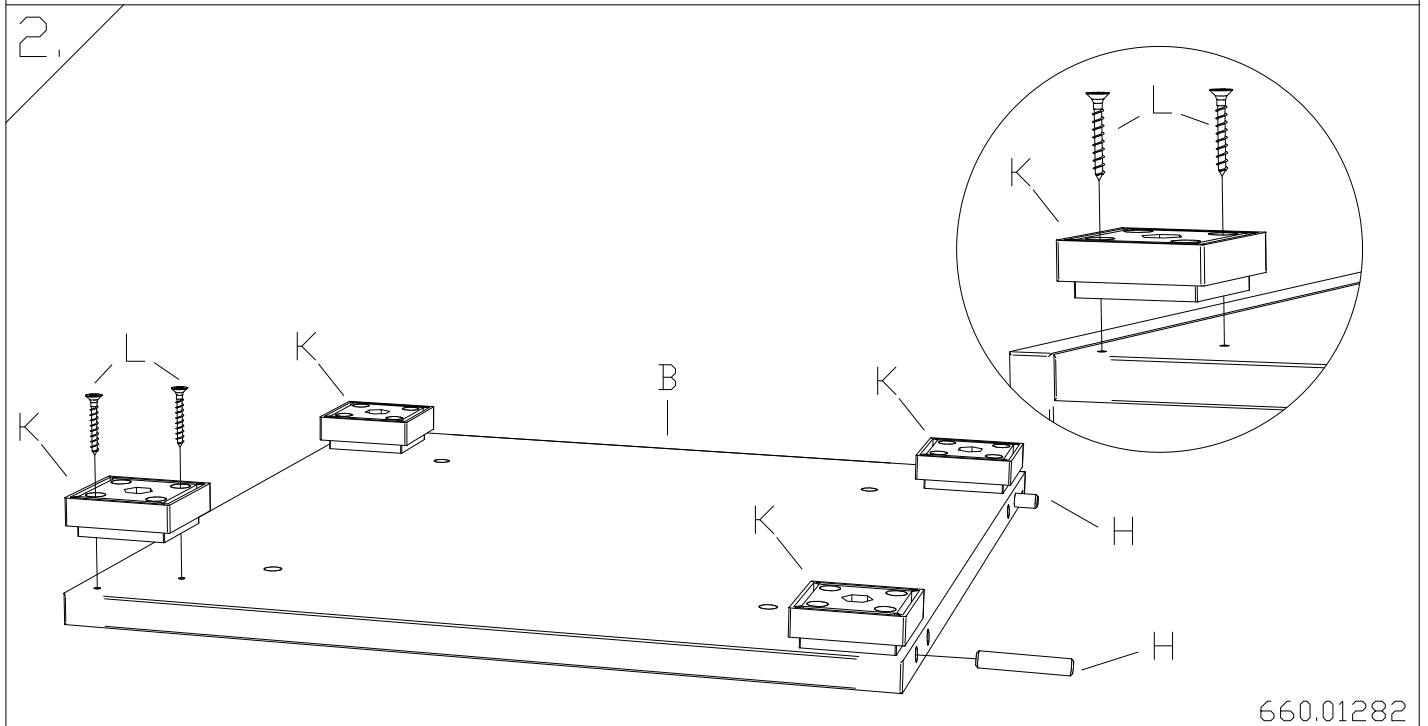
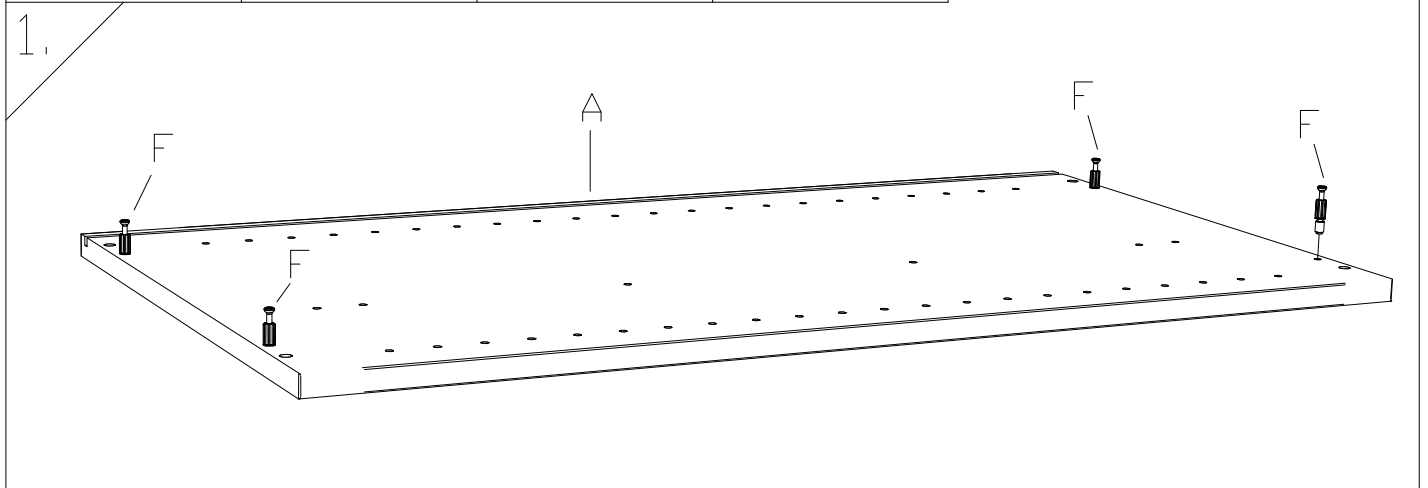


Cassino ...

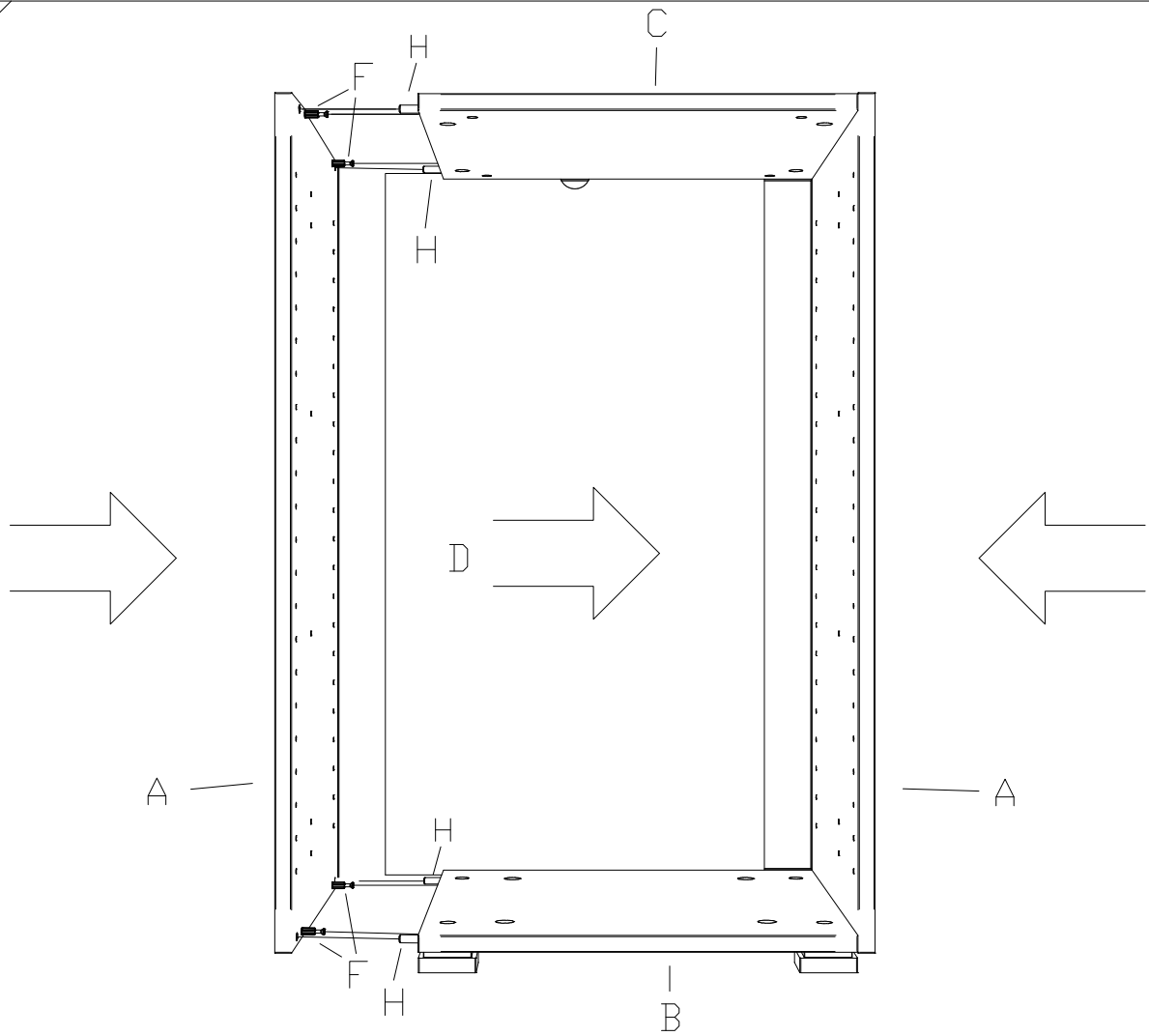
Benötigte Werkzeuge – Outils Nécessaires – Tools Required – Attrezzi Necessari



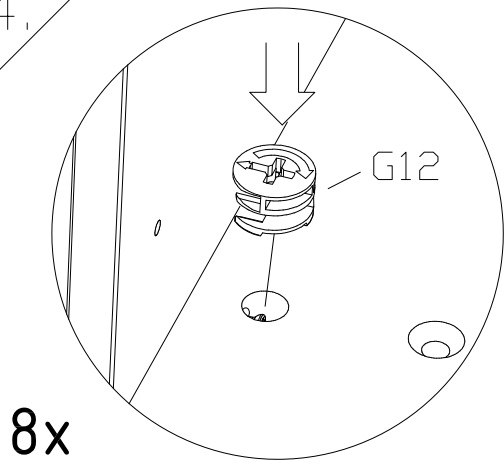
<p>A x2</p>  <p>740.168</p>	<p>B x1</p> 	<p>C x1</p> 	<p>D x1</p> 	<p>E x1</p> 	<p>F x16</p>  <p>631.04200</p>
<p>G9 x8</p>  <p>631.06300</p>	<p>G12 x8</p>  <p>631.04100</p>	<p>H x8</p> <p>Ø8x40</p>  <p>630.02200</p>	<p>J x4 Quatro</p> <p>J x6 Atrine</p> <p>Ø4x25</p>  <p>631.30900</p>	<p>K x4</p>  <p>630.77736</p>	<p>L x8</p> <p>Ø4x30</p>  <p>631.32000</p>
<p>M x4</p>  <p>li 629.00099</p> <p>re 629.00100</p>	<p>N x16</p>  <p>631.06100</p>	<p>Ø x4</p>  <p>629.00006</p>	<p>P10 x1</p> <p>P15 x3</p> 	<p>Q10 x1</p> <p>Q15 x3</p> 	<p>R x4</p> 
<p>S10 x1</p> <p>S15 x3</p> 	<p>T x16</p> <p>Ø6x40</p>  <p>630.01800</p>	<p>U x16</p> <p>Ø4x35</p>  <p>631.34600</p>	<p>W x8</p>  <p>630.200</p>		



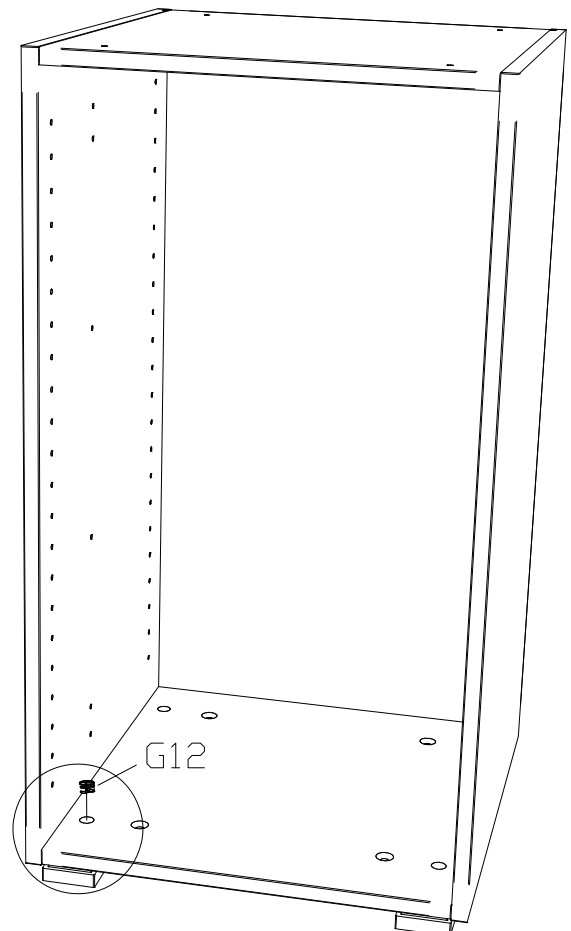
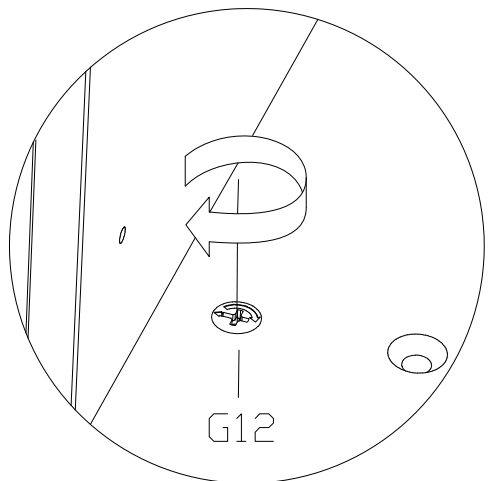
3.



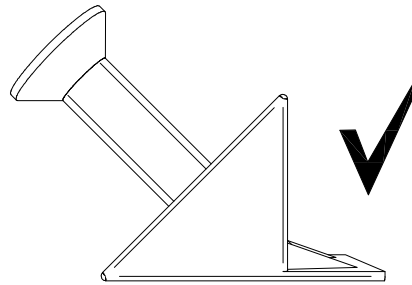
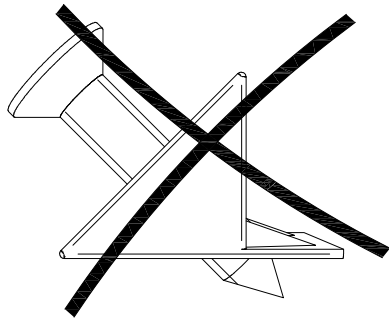
4.



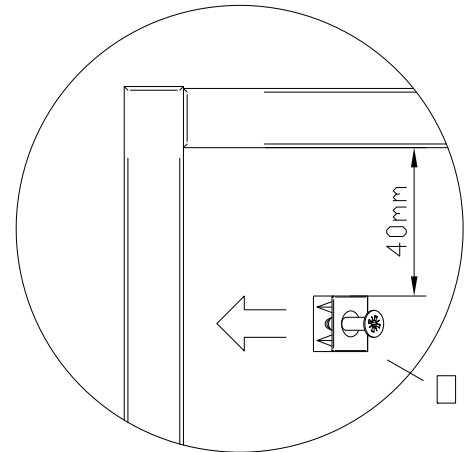
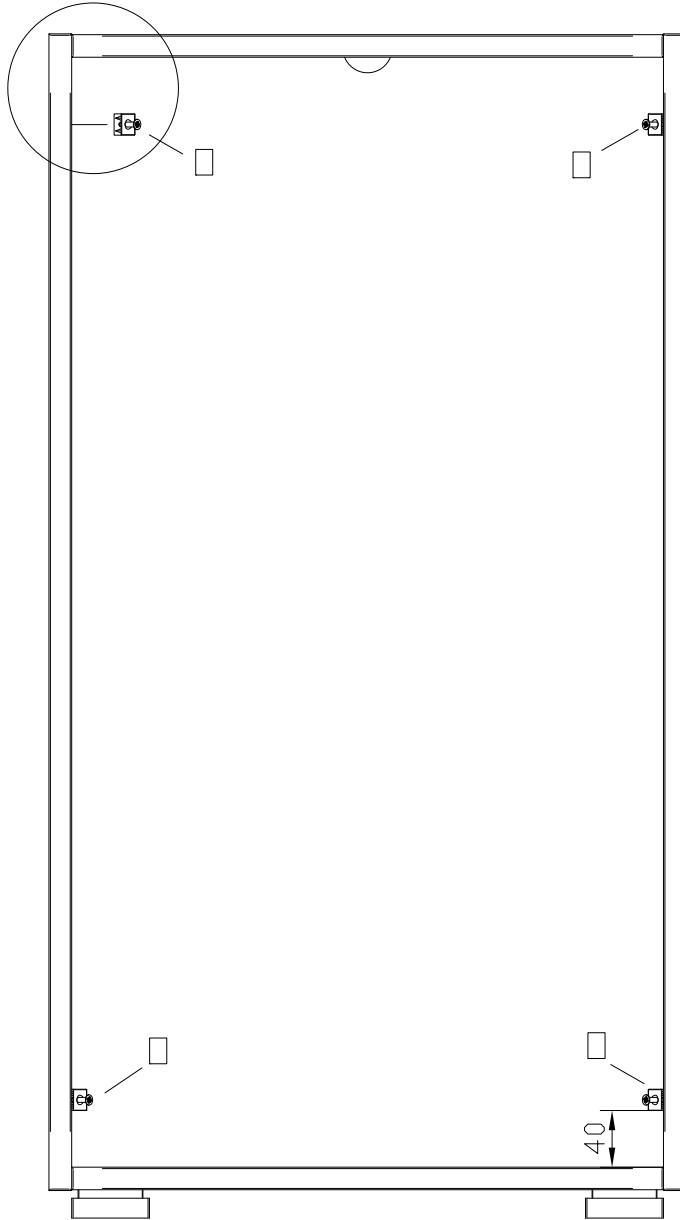
8x



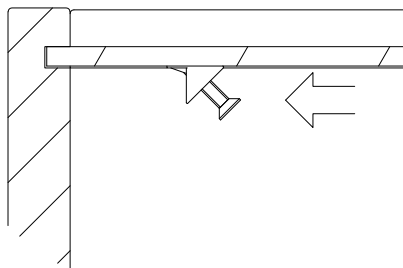
5.



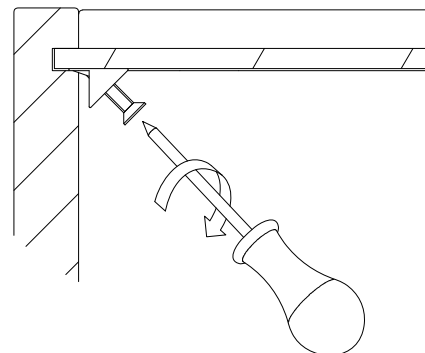
6.



1.



2.



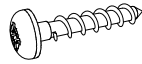
Option

E x1



J x8

Ø4x25



631.30900

I x4

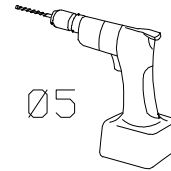


631.20100

V x4

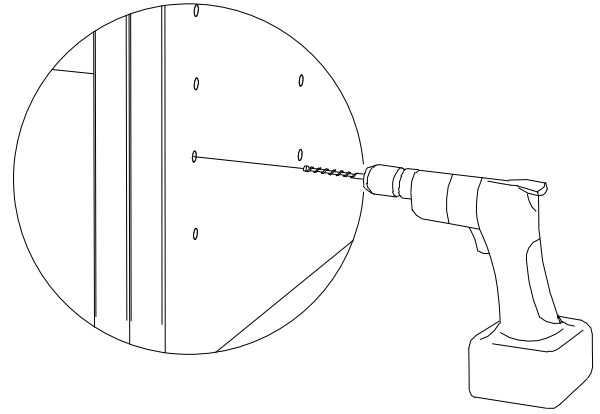
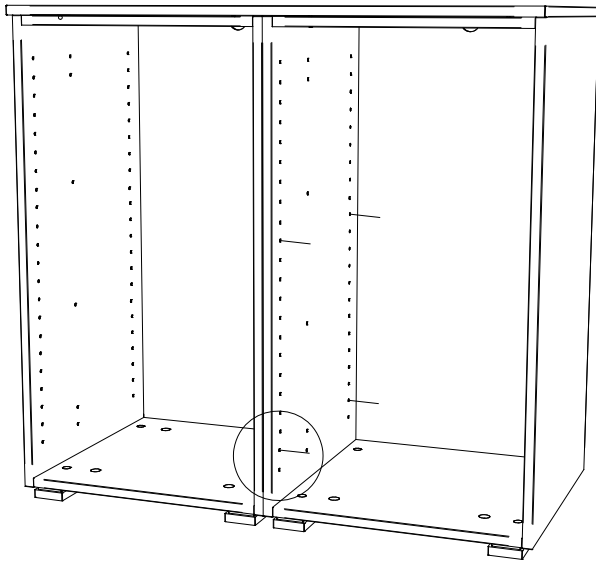


631.20200

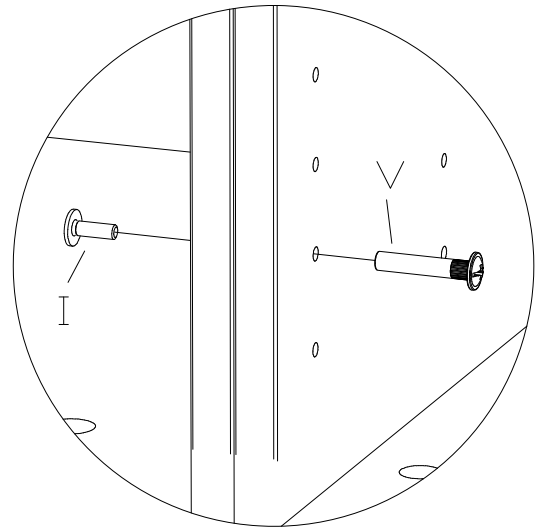
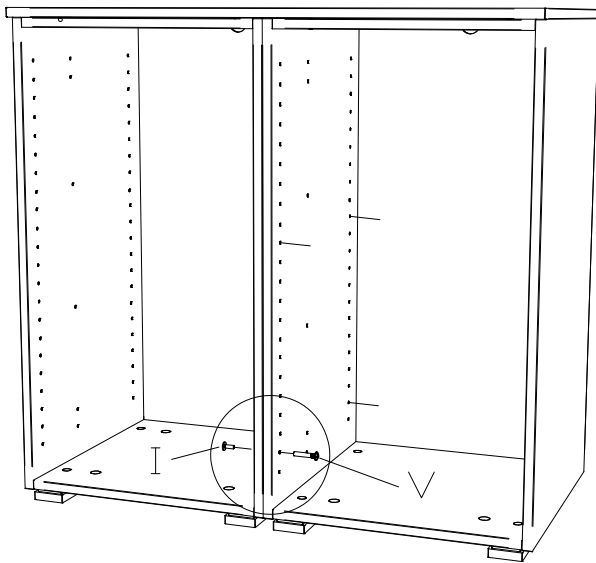


Ø5

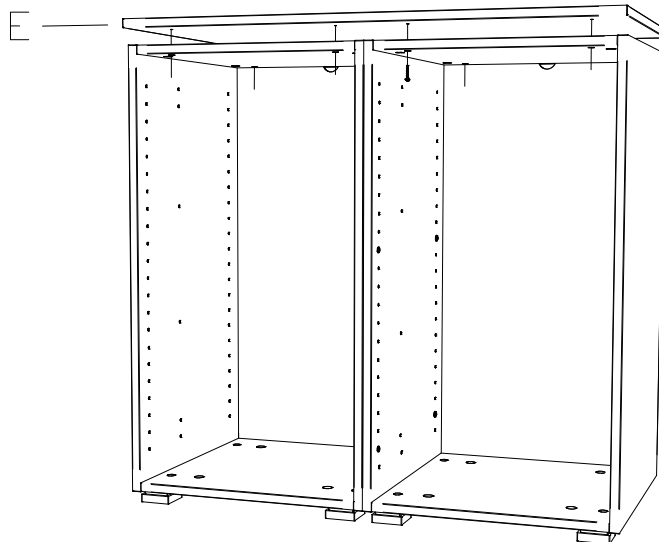
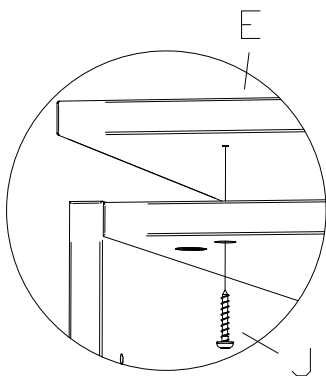
1.

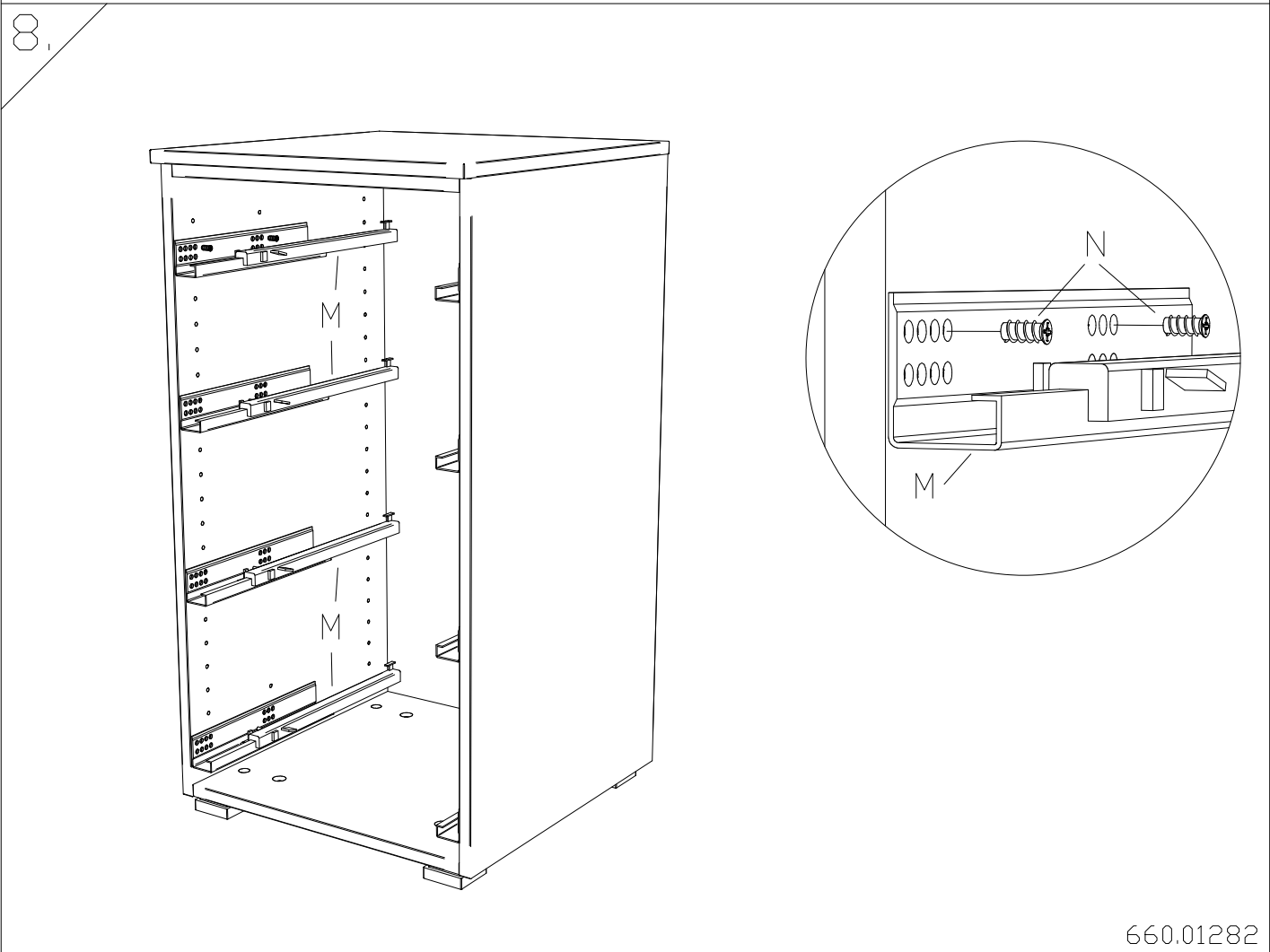
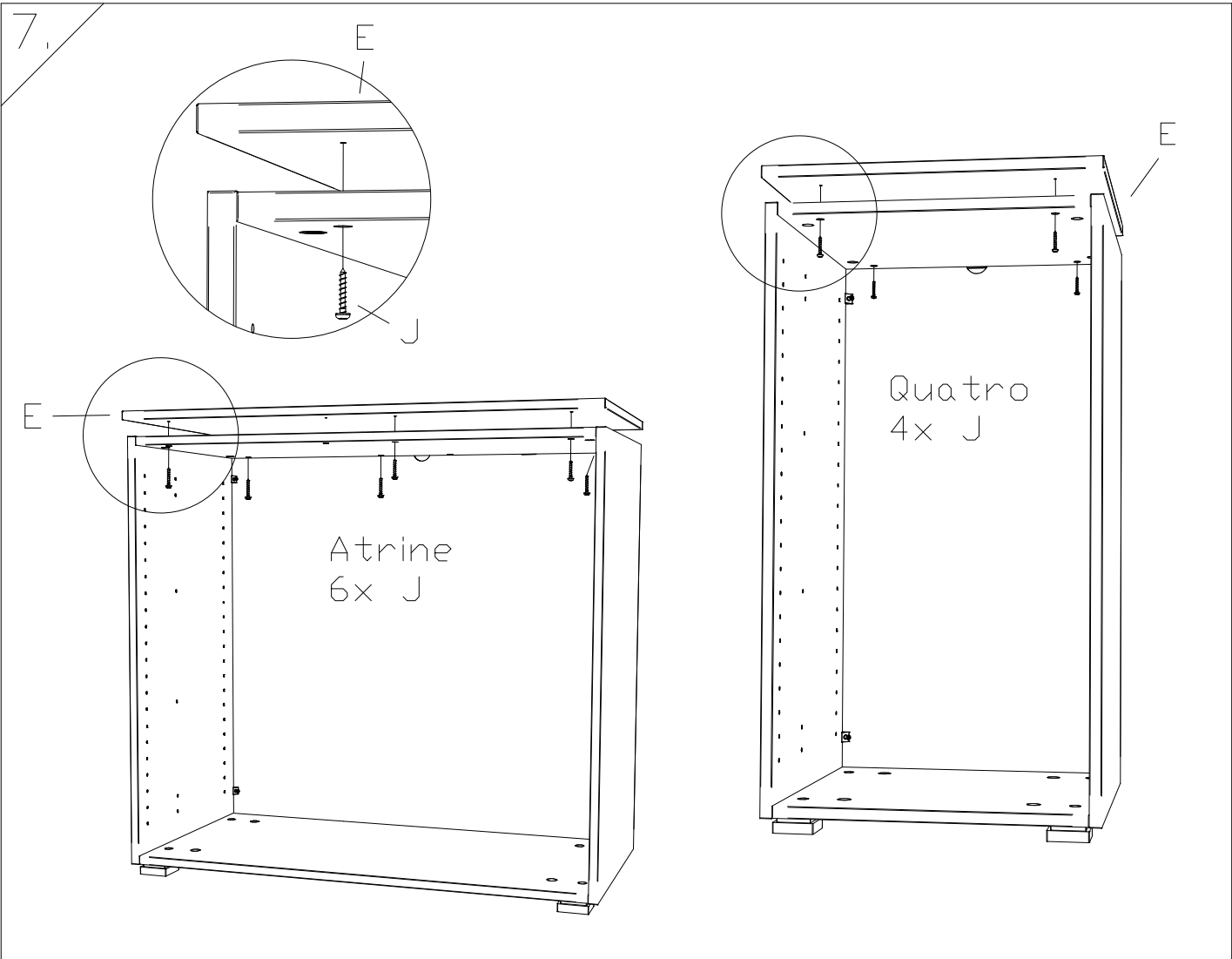


2.

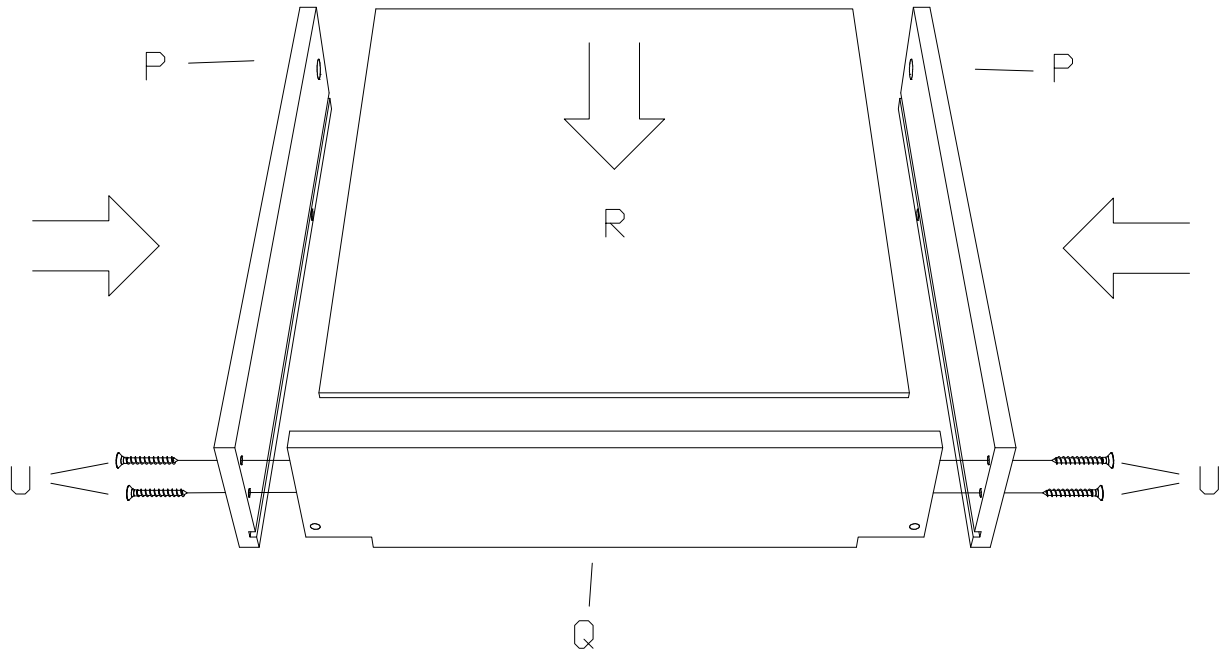


3.





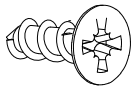
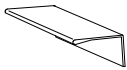
9.



Version A

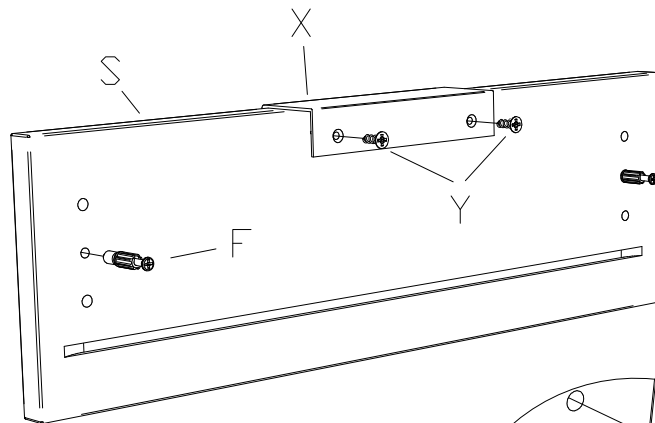
X ×4

Y ×8

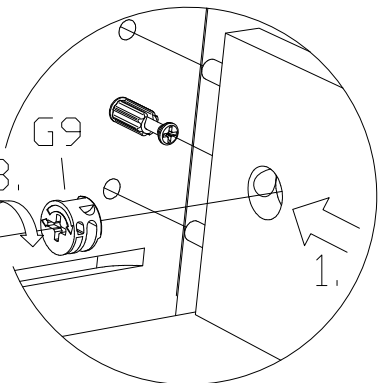
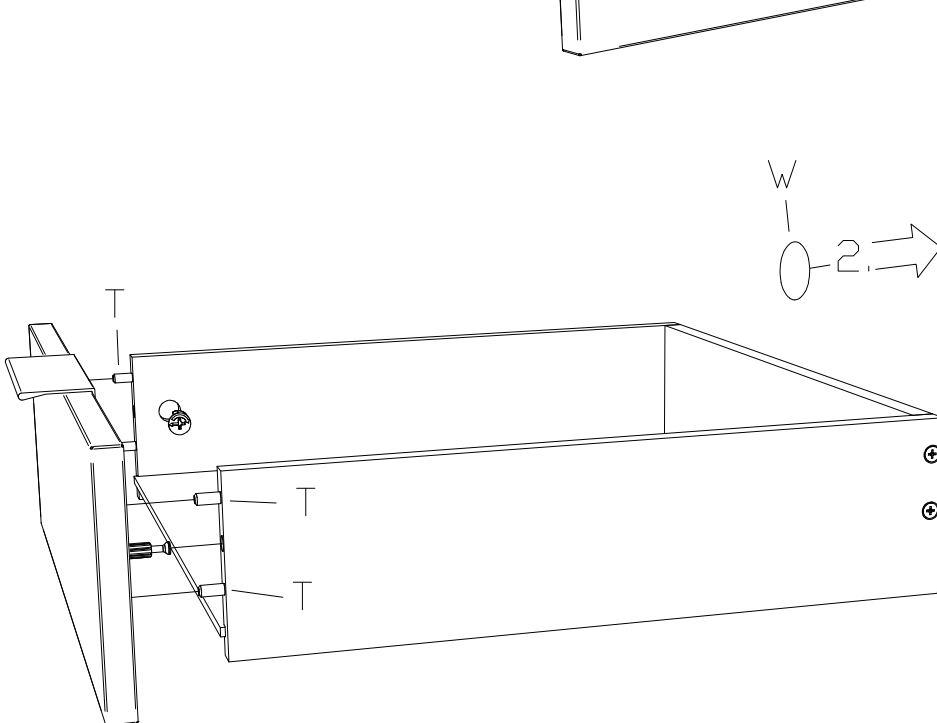


630.80336

631.24000



10



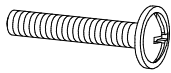
Version B

X x4



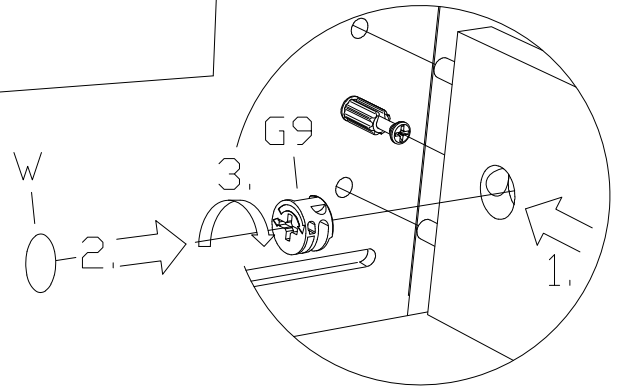
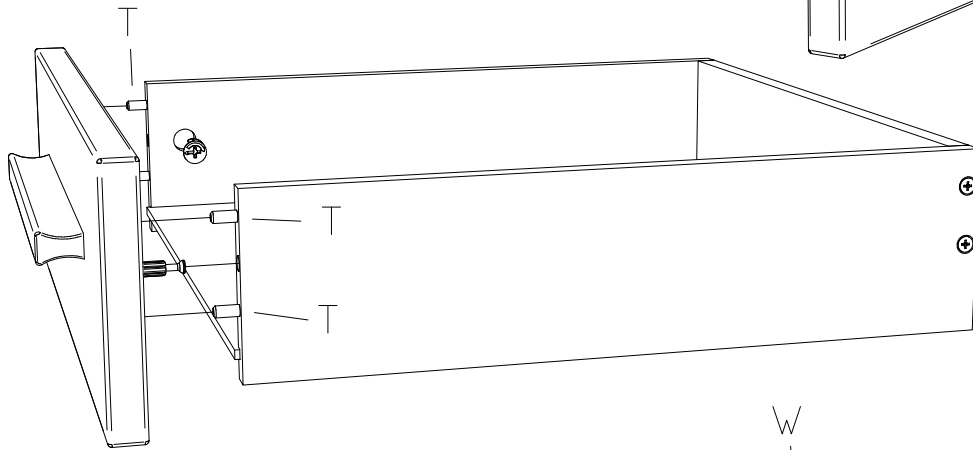
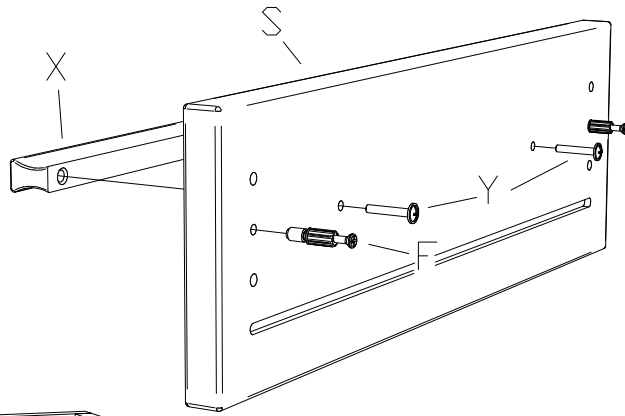
740.208

Y x8

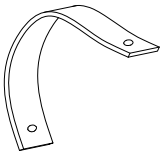


631.31700

10.

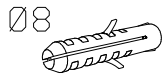


a x1



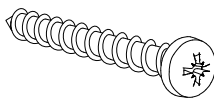
630.506

b x1



630.040

c x1



631.341

d x2



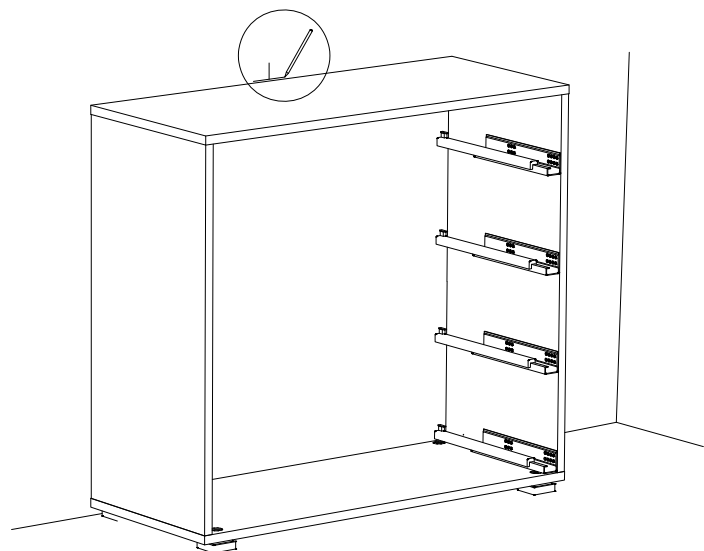
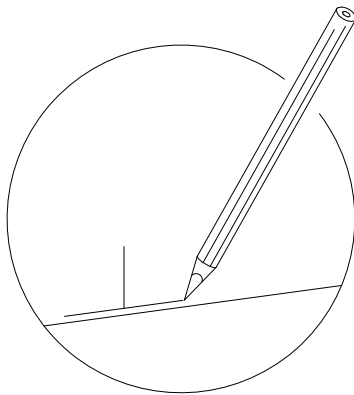
631.405

e x1

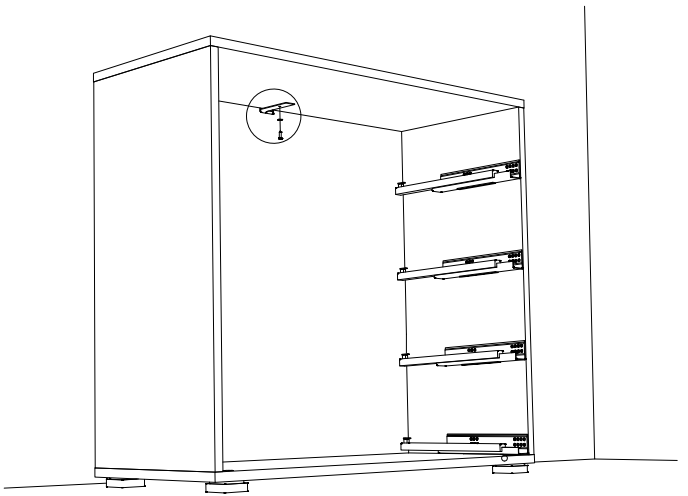
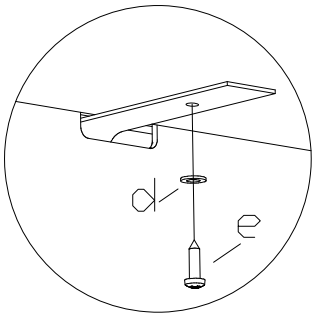
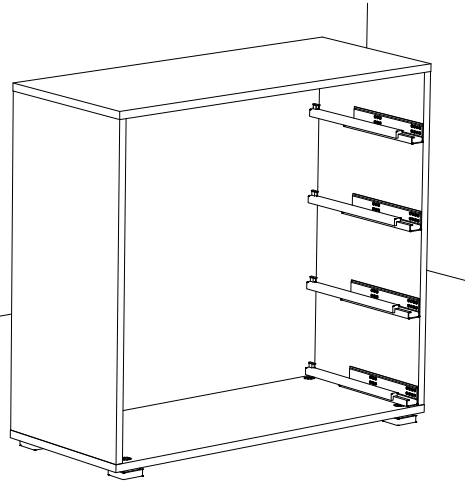
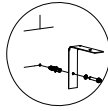
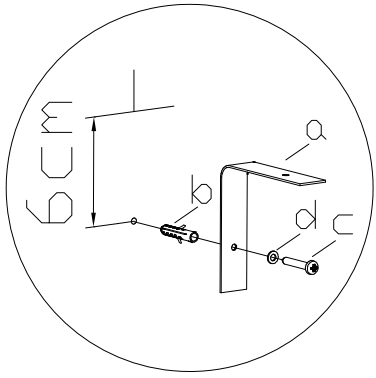


631.804

11.



12.



13.

