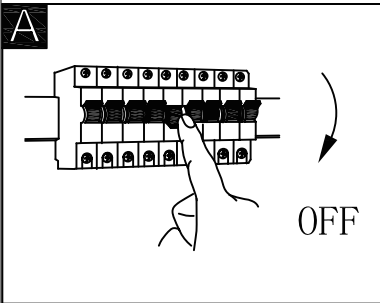


# GLOBO

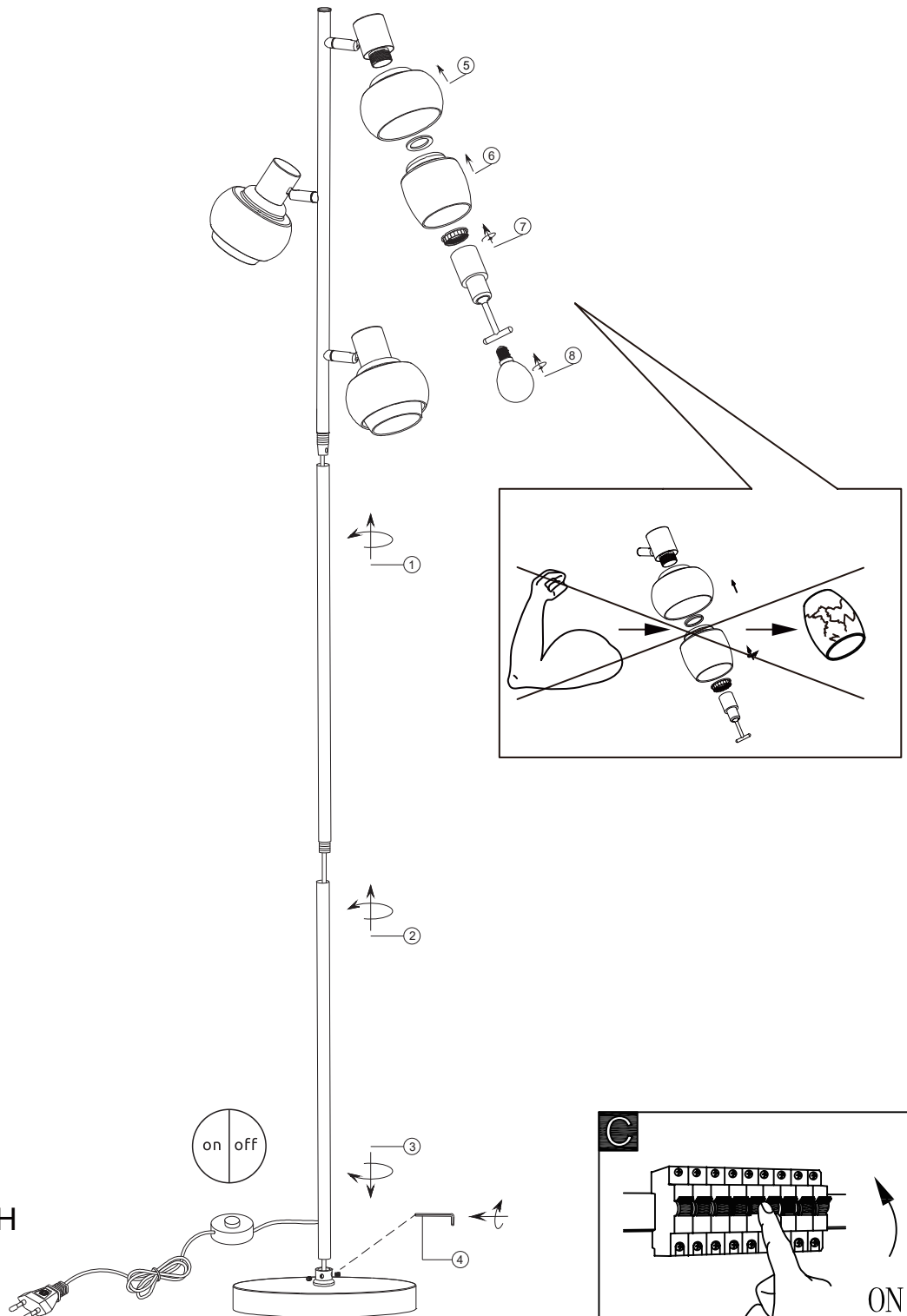
LIGHTING

[www.globo-lighting.com](http://www.globo-lighting.com)

54309SB 54309SW



**B**



3x MAX 40W E14  
230V~ 50Hz

GLOBO Handels GmbH  
Gewerbestr. 3  
A-9184 Sankt Peter  
AUSTRIA

[www.globo-lighting.com](http://www.globo-lighting.com)

