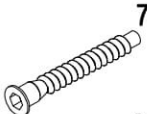

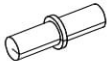





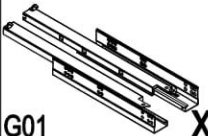


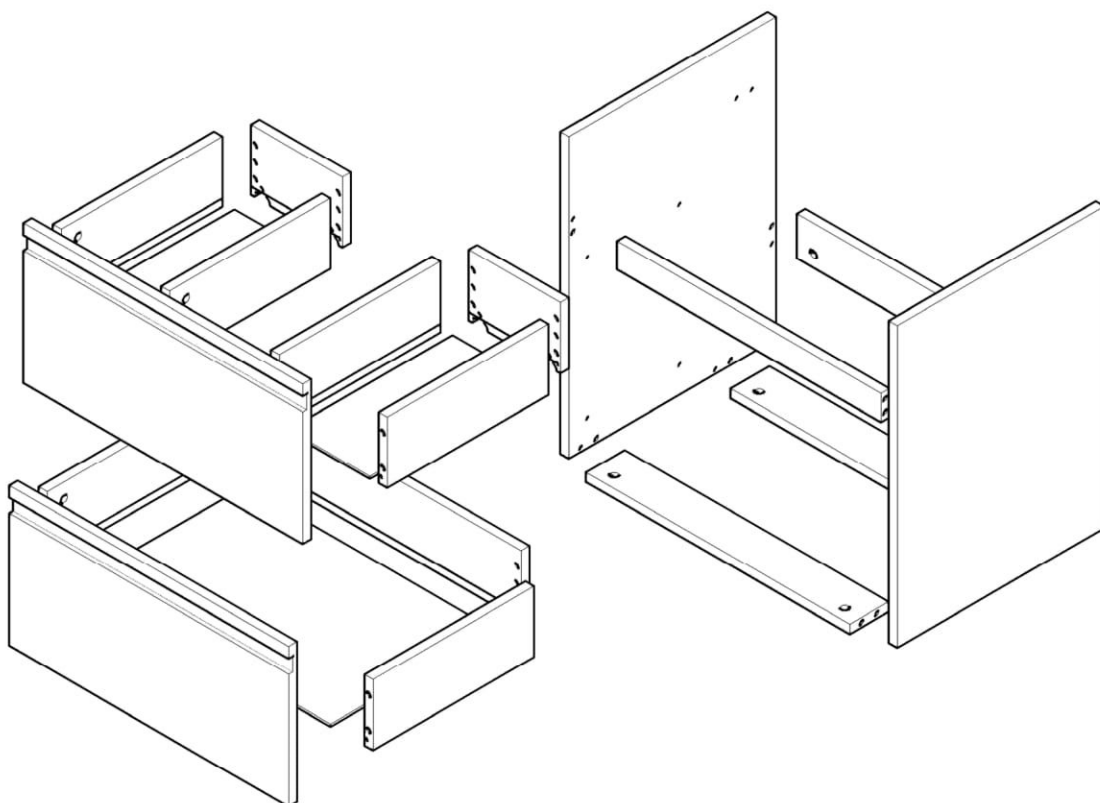
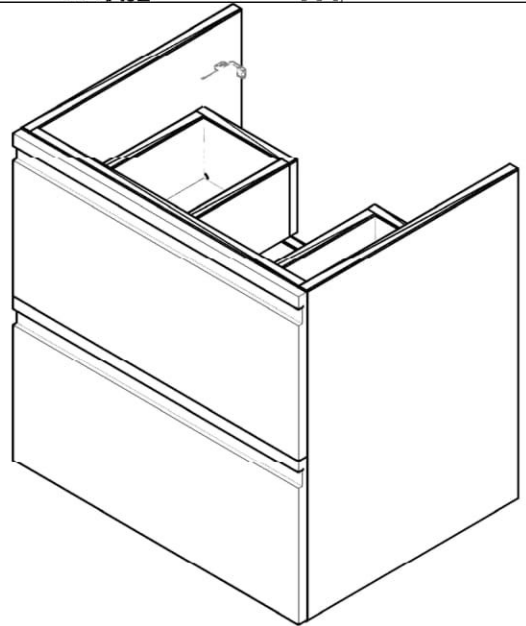
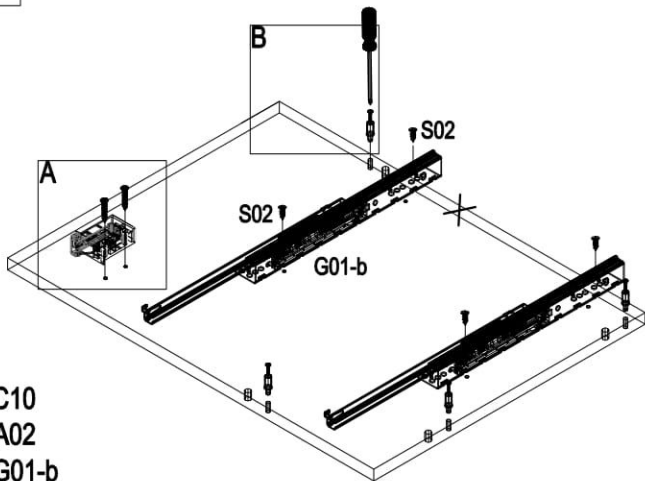


NR.40

| | | | | | |
|--|--|--|---|--|--|
|  7x50 S01 x6 |  3.5x16 S02 x8 |  S21 x4 |  C01 x20 |  3.5x30 S03 x4 |  D01 x1 |
|  C10 x20 |  C11 x20 |  G01 x2 |  A01 x1 |  A02 x1 | |

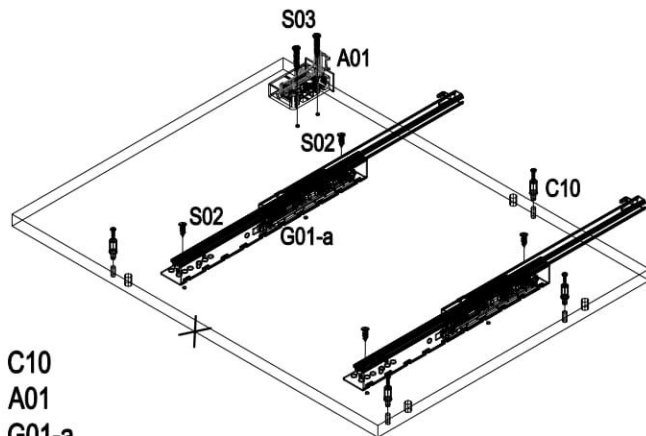


1.

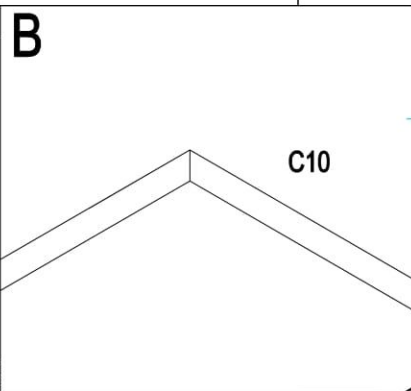
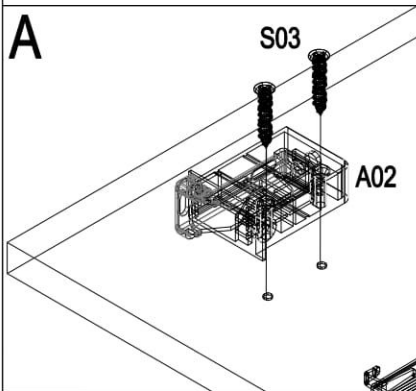


- 4x C10
- 1x A02
- 2x G01-b
- 2x S03
- 4x S02

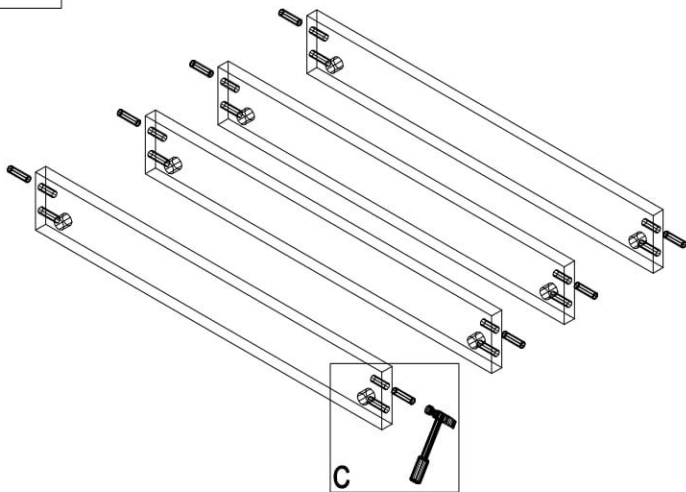
2.



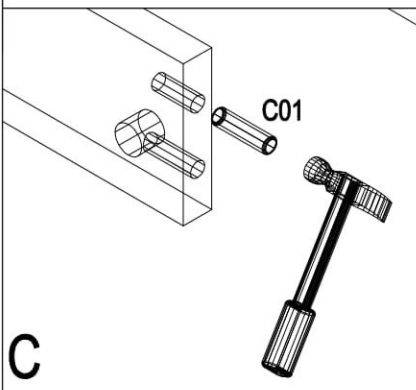
- 4x C10
- 1x A01
- 2x G01-a
- 2x S03
- 4x S02



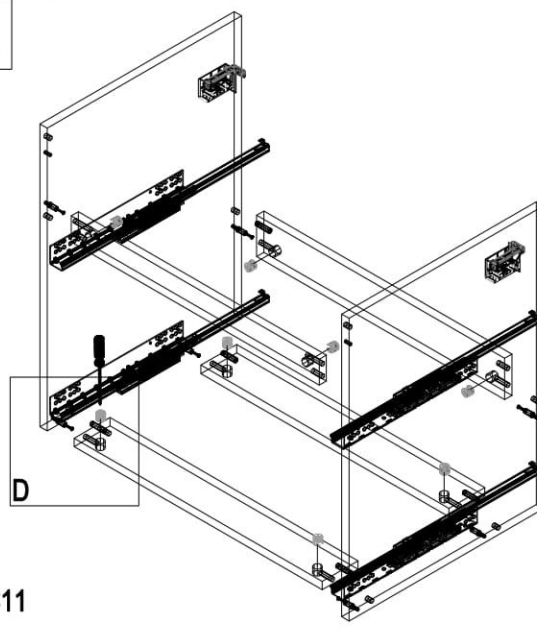
3.



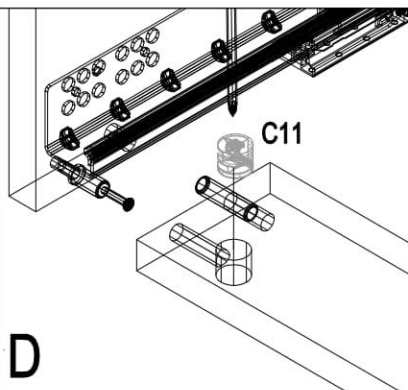
- 8x C01



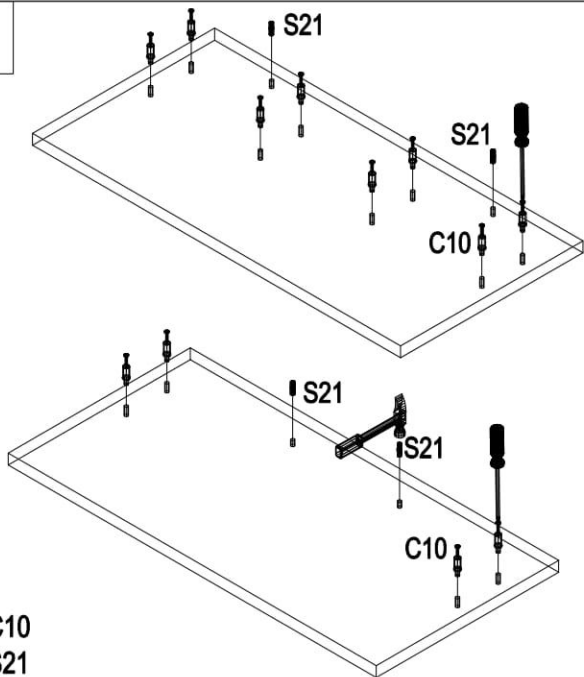
4.



- 8x C11

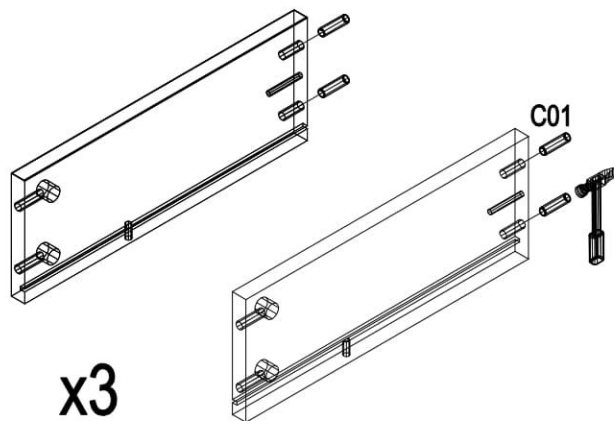


5.



12x C10
4x S21

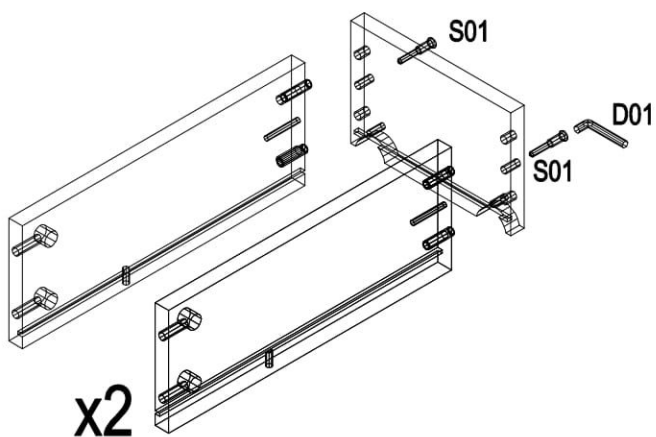
6.



x3

2x C01

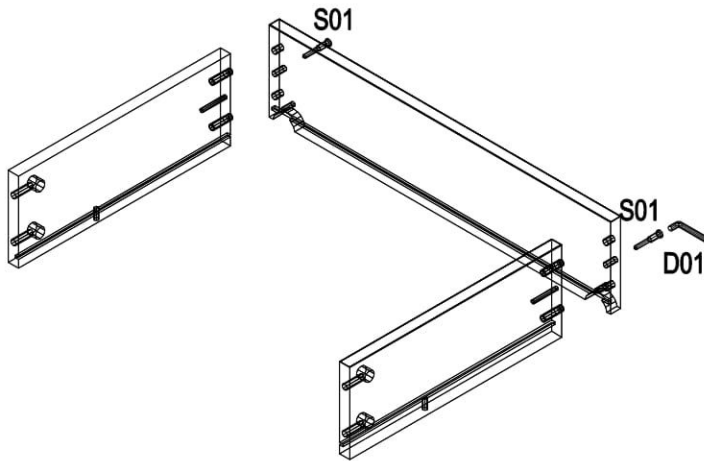
7.



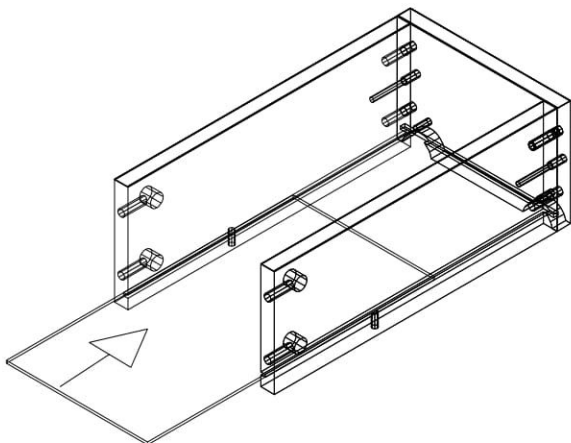
x2

1x D01
2x S01

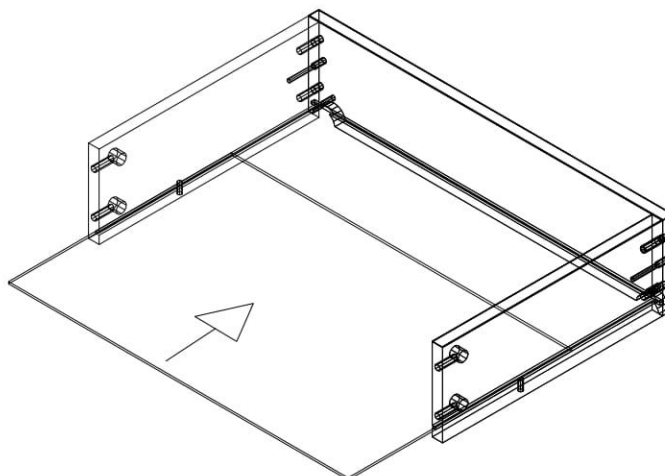
8.



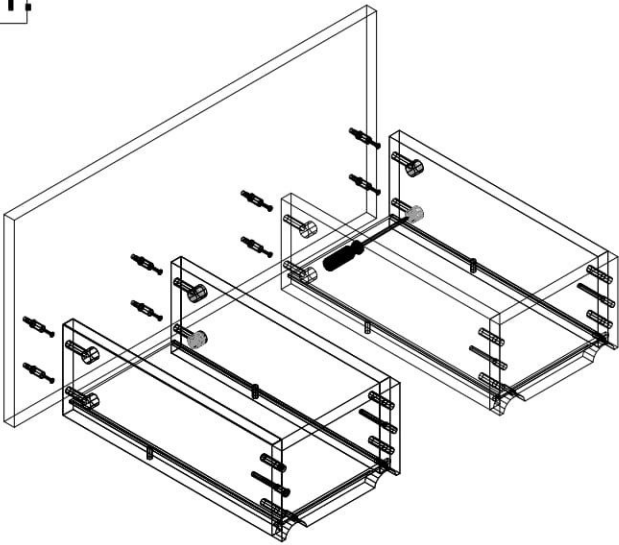
9.



10.

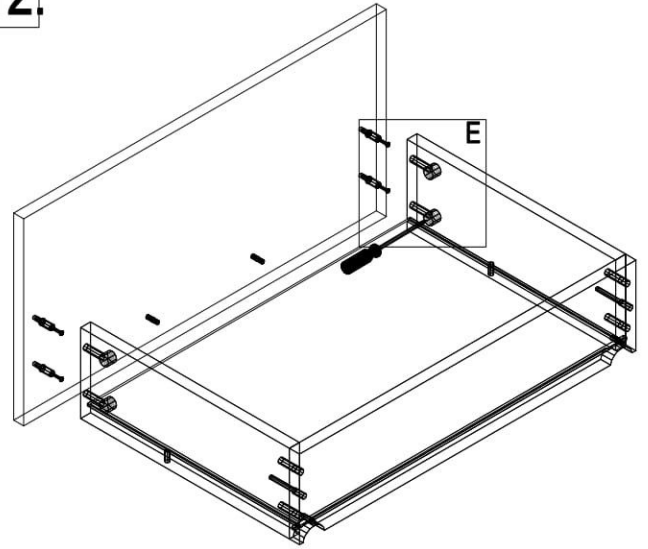


11.



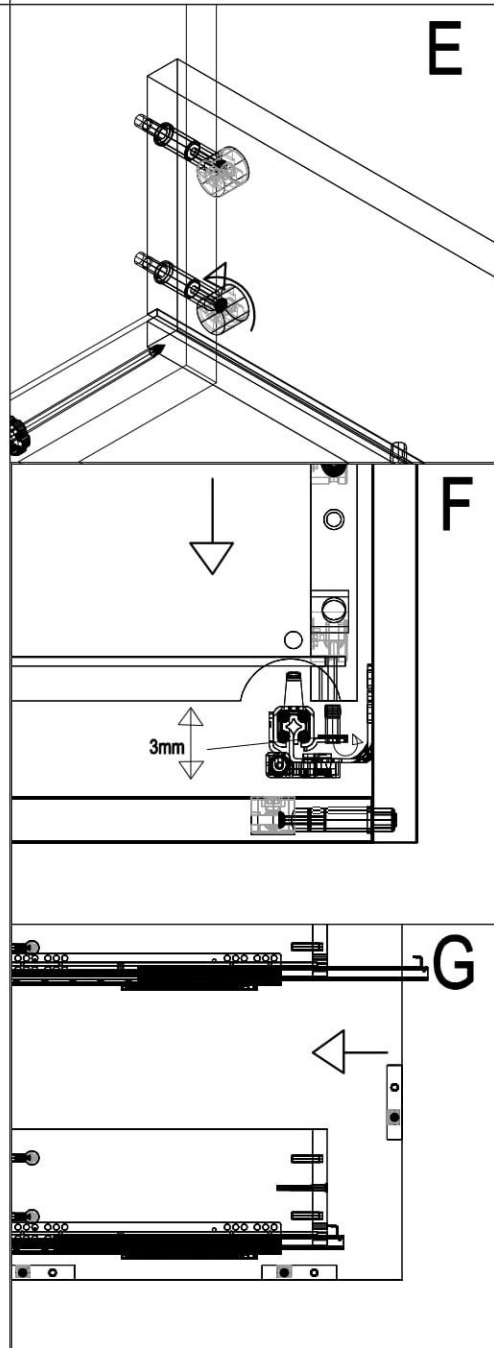
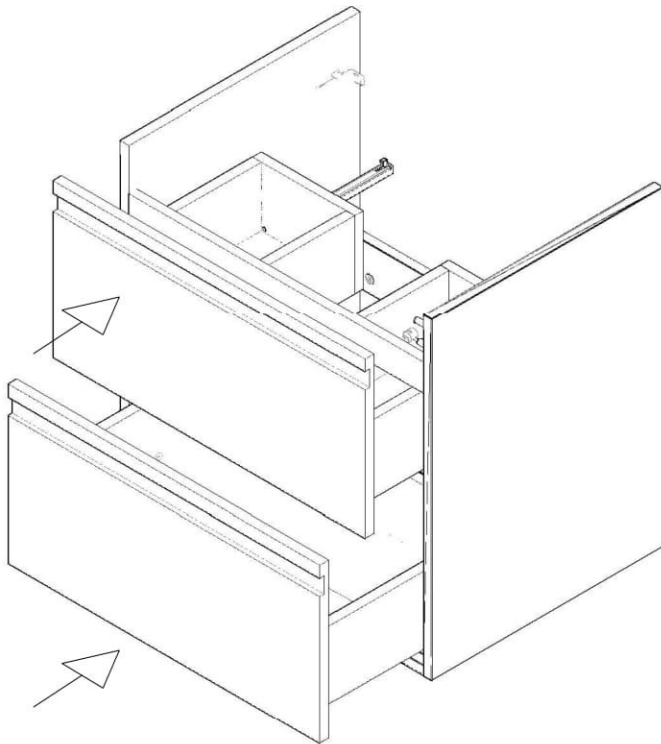
8x C11

12.

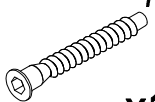



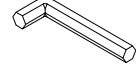
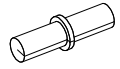
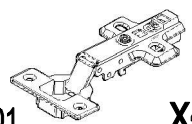
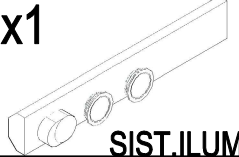


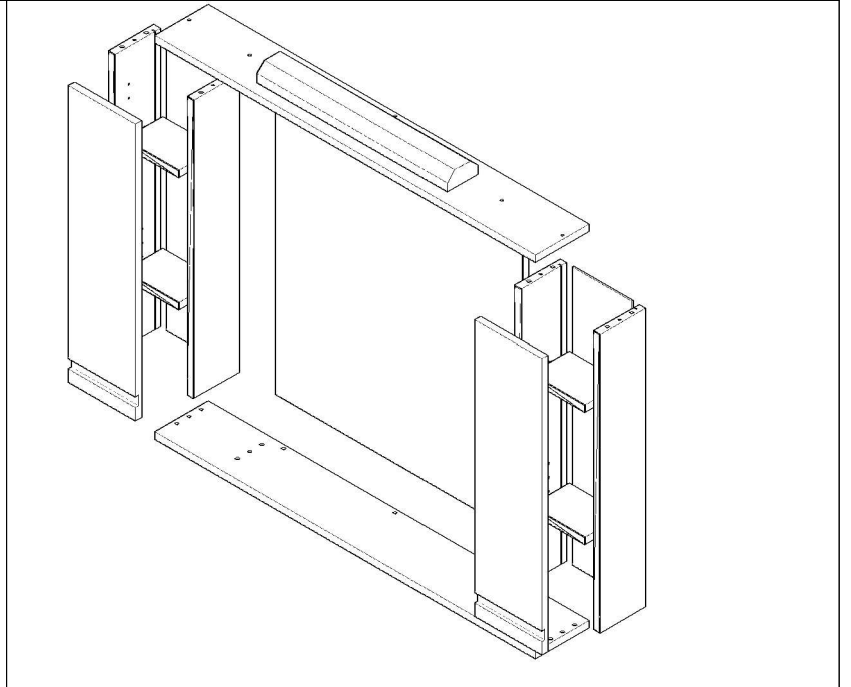
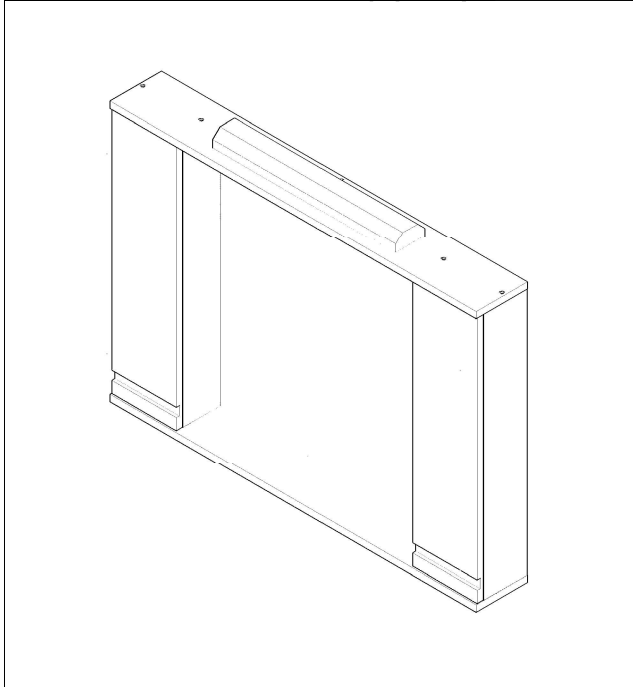
4x C11

13.

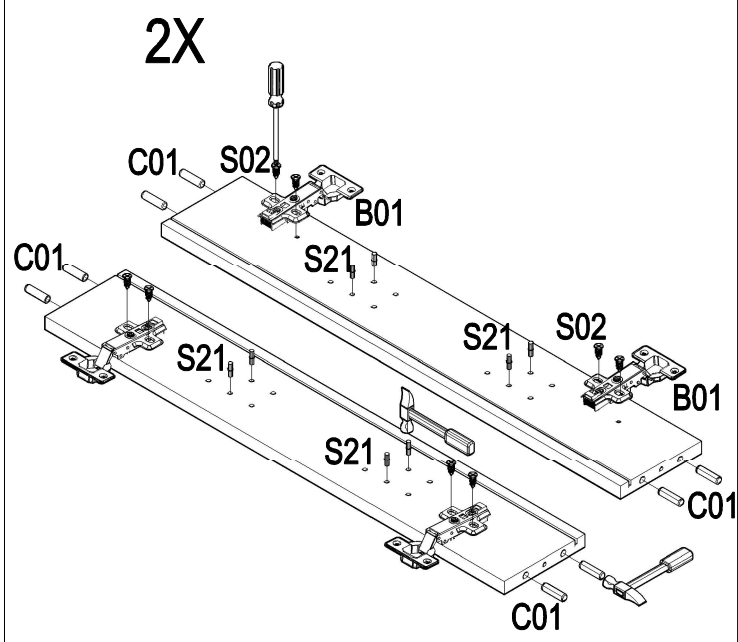


NR.63

| | | | | | |
|---|---|---|--|---|--|
|  <p>S01 7x50 x10</p> |  <p>S02 3.5x16 x16</p> |  <p>A04 x2</p> |  <p>C01 x20</p> |  <p>D01 x1</p> |  <p>S21 x16</p> |
|  <p>B01 x4</p> |  <p>SIST.ILUM x1</p> | | | | |

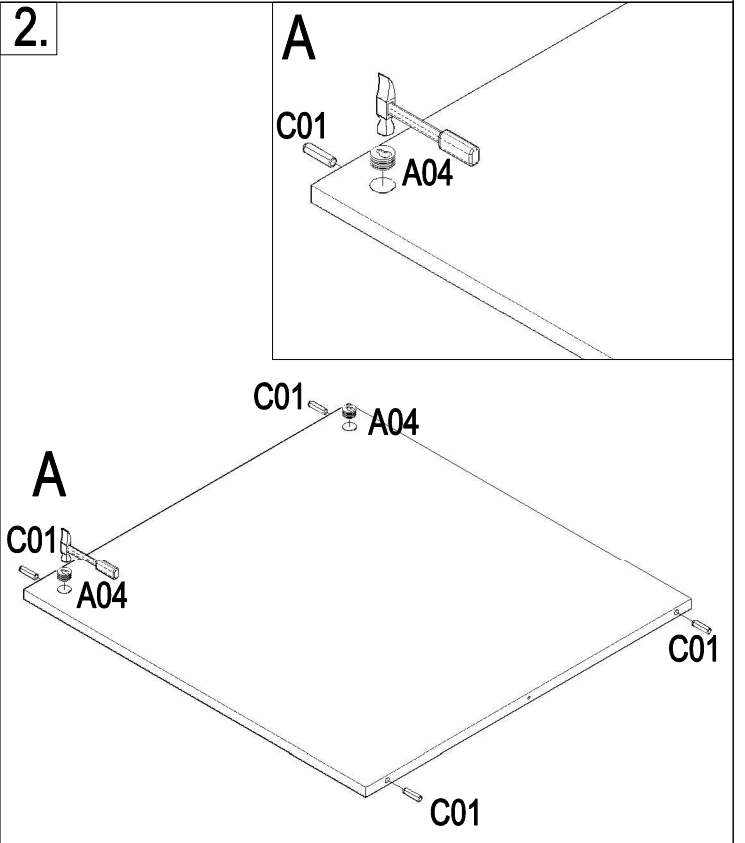


1.



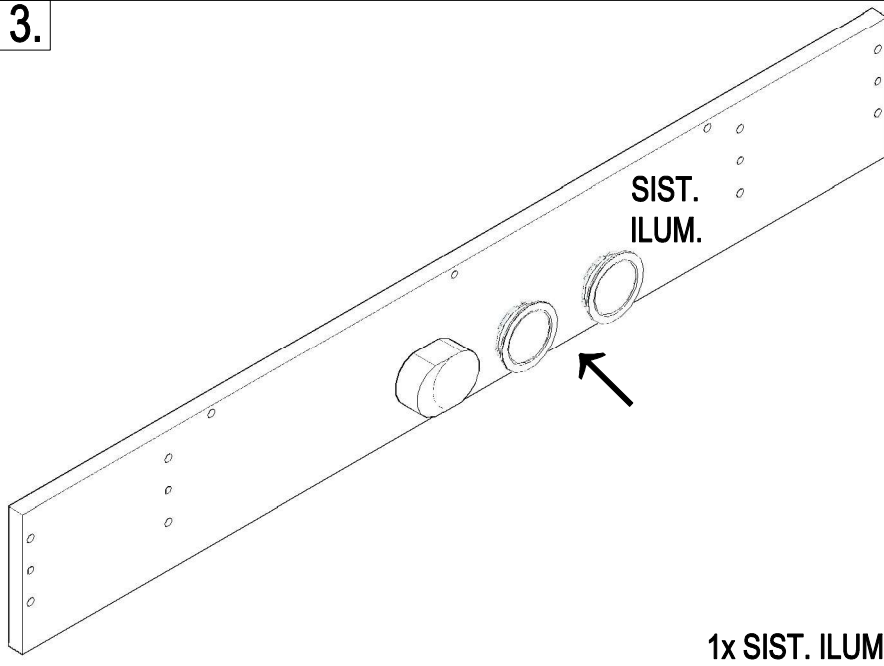
16xC01
16xS21
4xB01
8xS02

2.

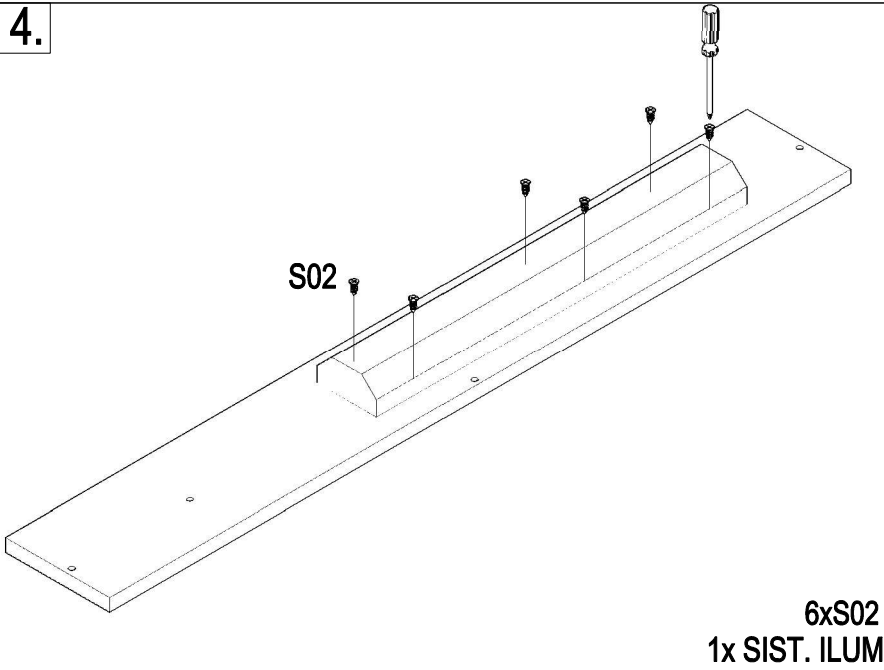


2xA04
4xC01

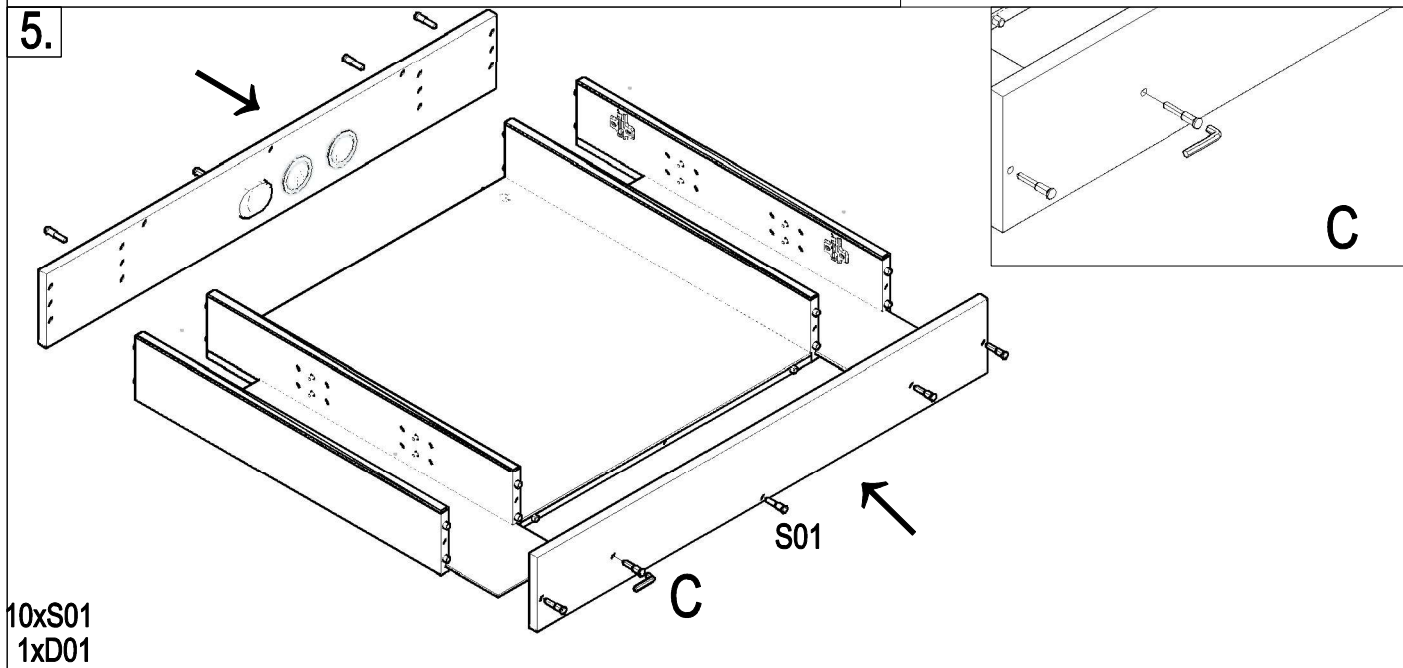
3.



4.



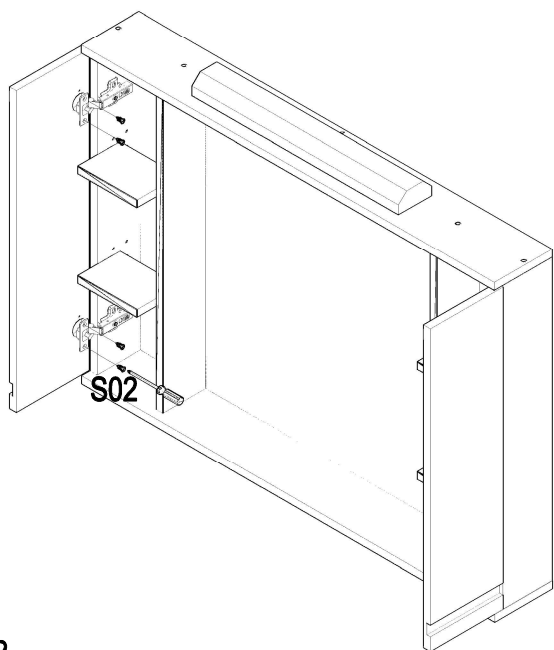
5.



6.



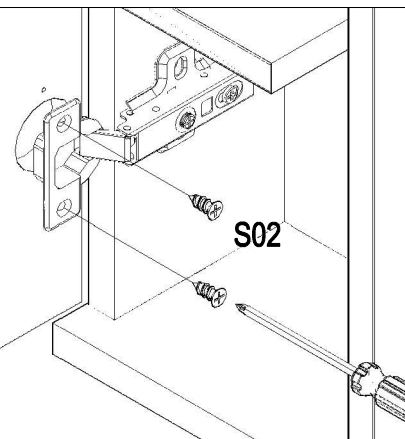
D



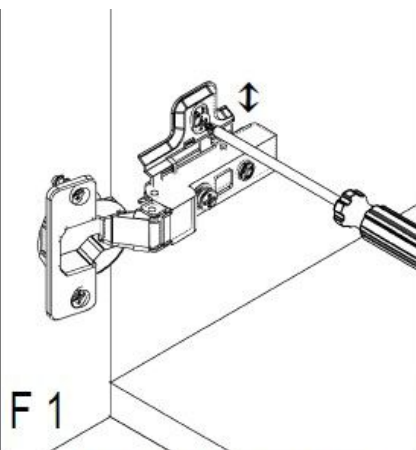
S02

8xS02

D

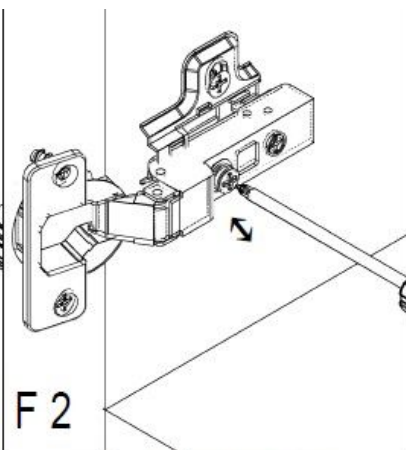


S02



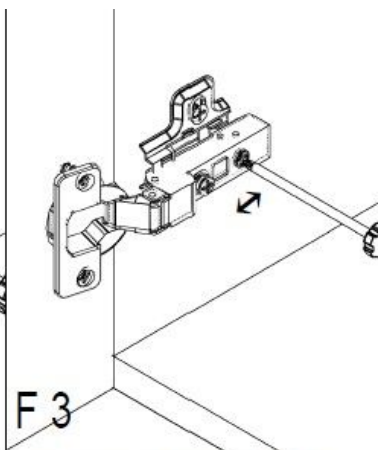
F 1

HEIGHT ADJUSTMENT



F 2

SIDE ADJUSTMENT



F 3

DEPTH ADJUSTMENT