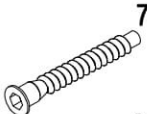

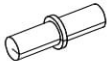





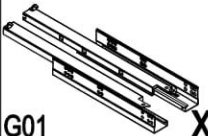


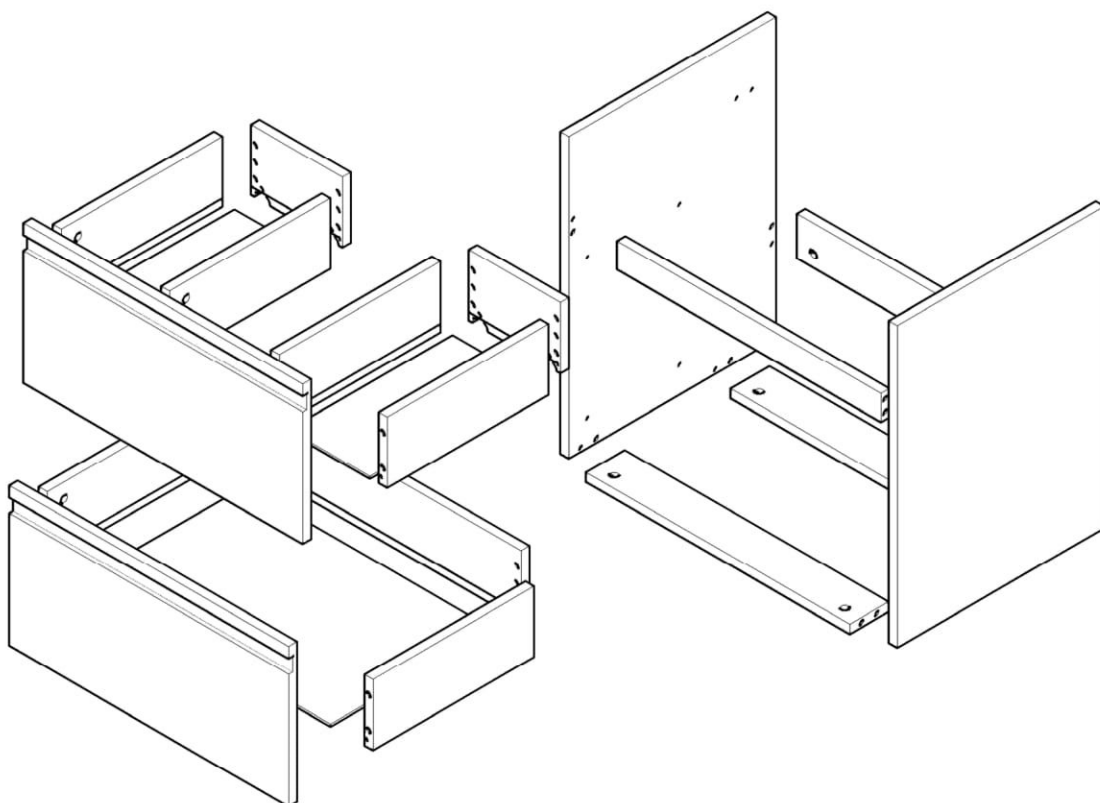
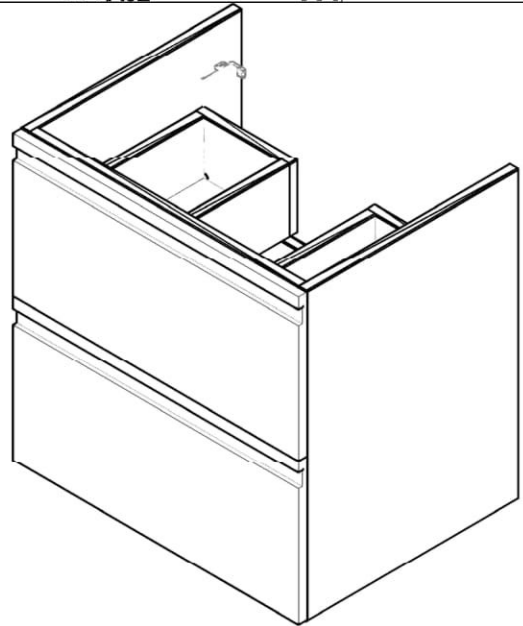
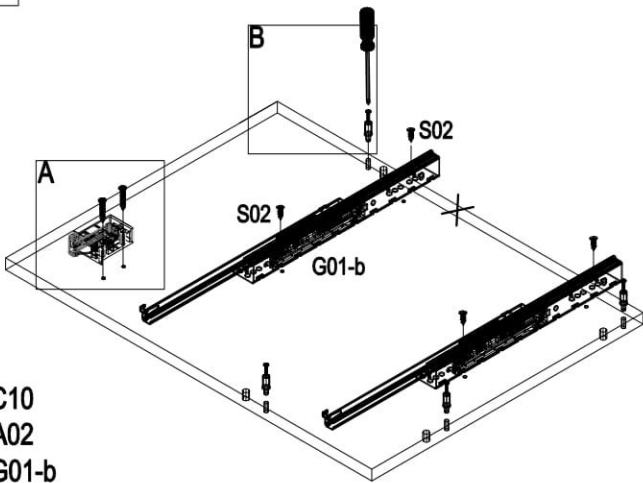


# NR.40

|  |  |  |   |  |  |
|--|--|--|---|--|--|
| <br>7x50<br>S01<br>x6 | <br>3.5x16<br>S02<br>x8 | <br>S21<br>x4 | <br>C01<br>x20 | <br>3.5x30<br>S03<br>x4 | <br>D01<br>x1 |
| <br>C10<br>x20        | <br>C11<br>x20          | <br>G01<br>x2 | <br>A01<br>x1  | <br>A02<br>x1           |  |

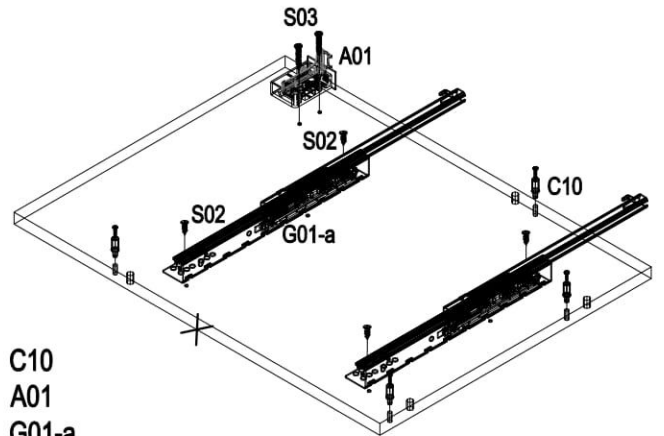


1.

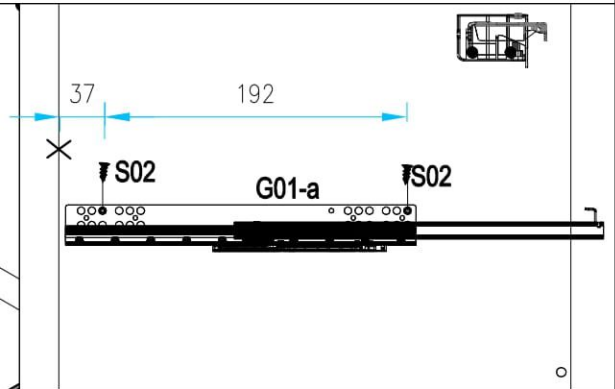
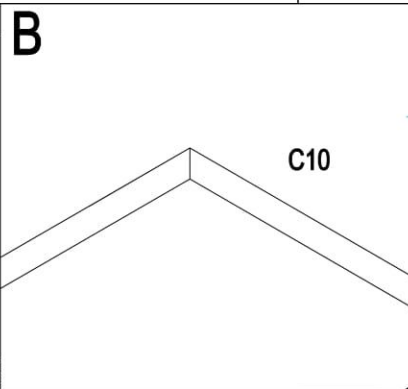
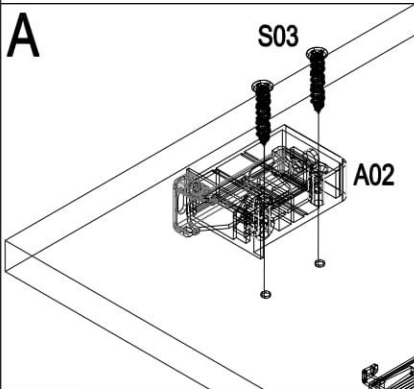


- 4x C10
- 1x A02
- 2x G01-b
- 2x S03
- 4x S02

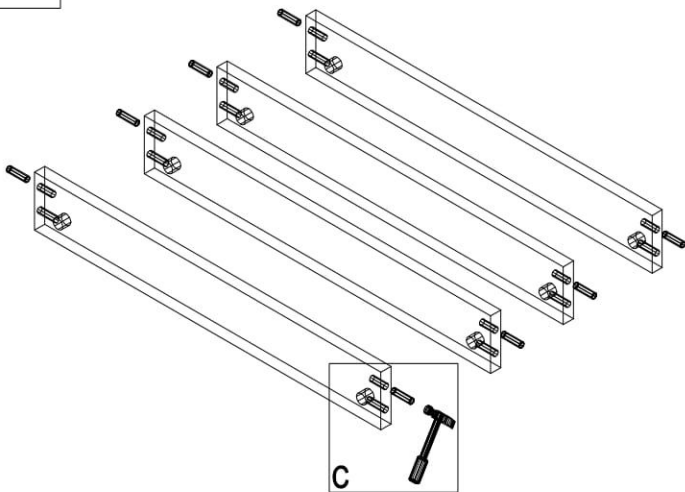
2.



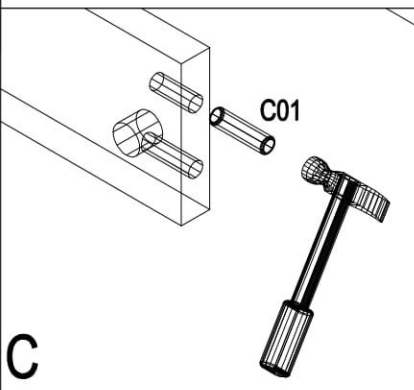
- 4x C10
- 1x A01
- 2x G01-a
- 2x S03
- 4x S02



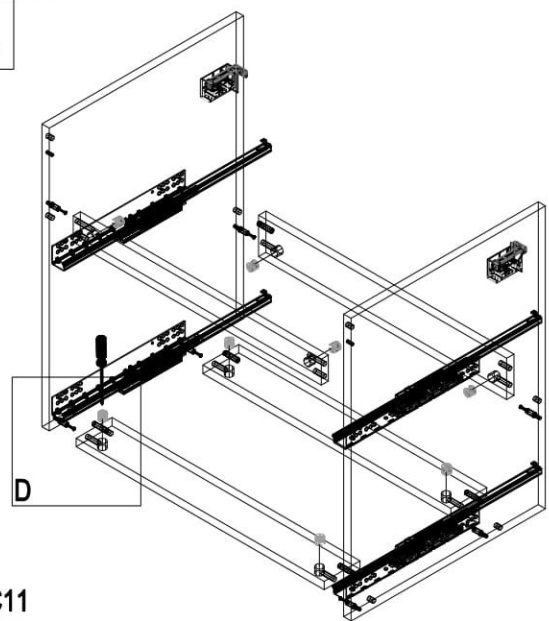
3.



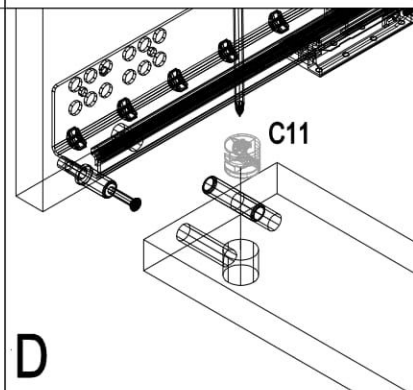
- 8x C01



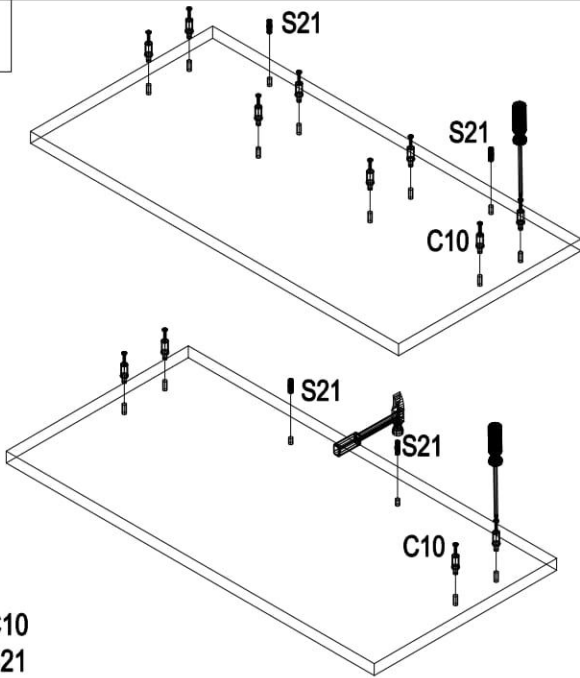
4.



- 8x C11

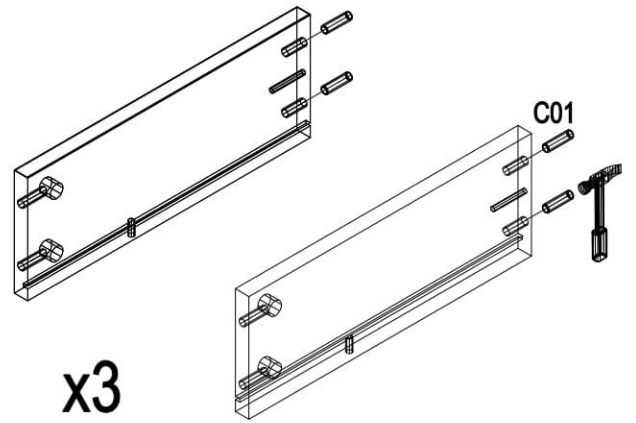


5.



12x C10  
4x S21

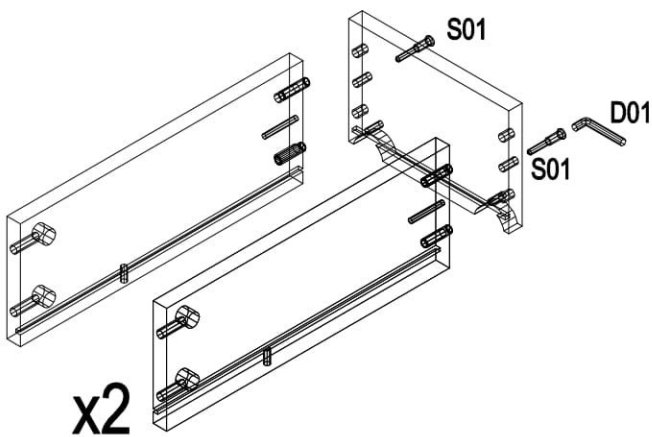
6.



x3

2x C01

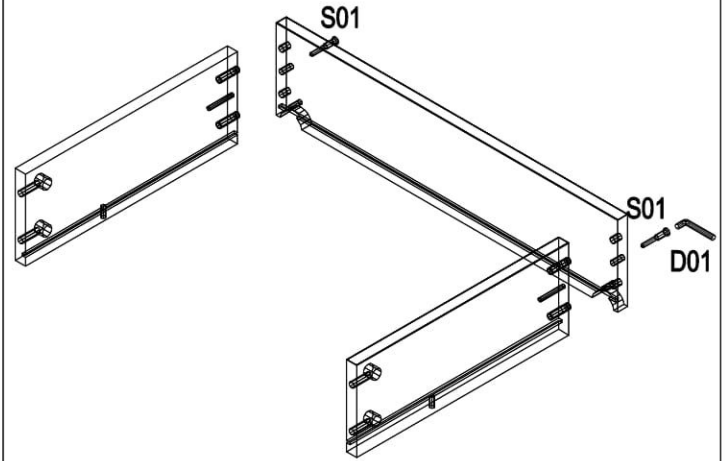
7.



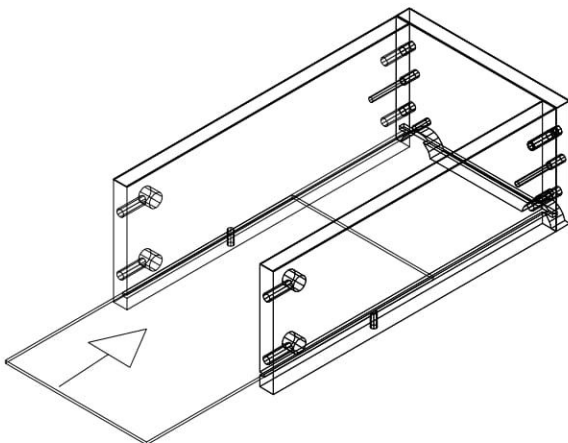
x2

1x D01  
2x S01

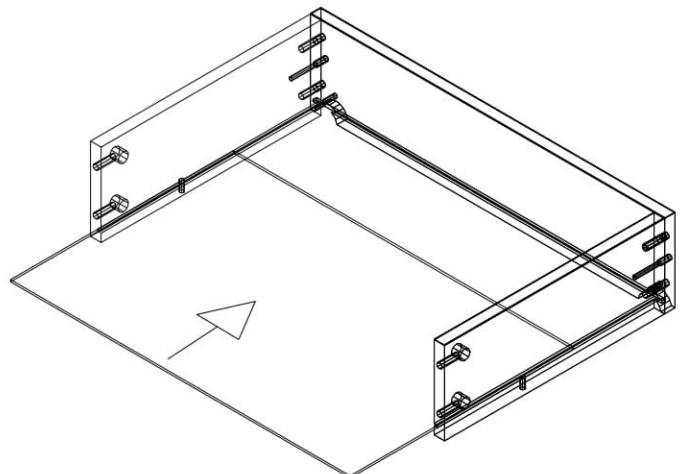
8.



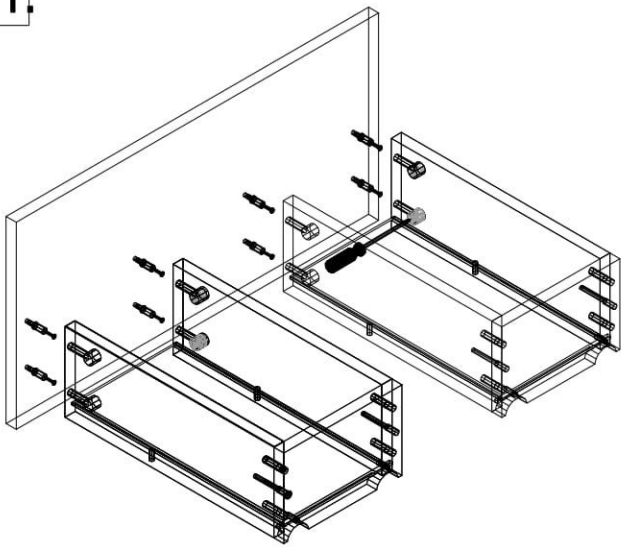
9.



10.

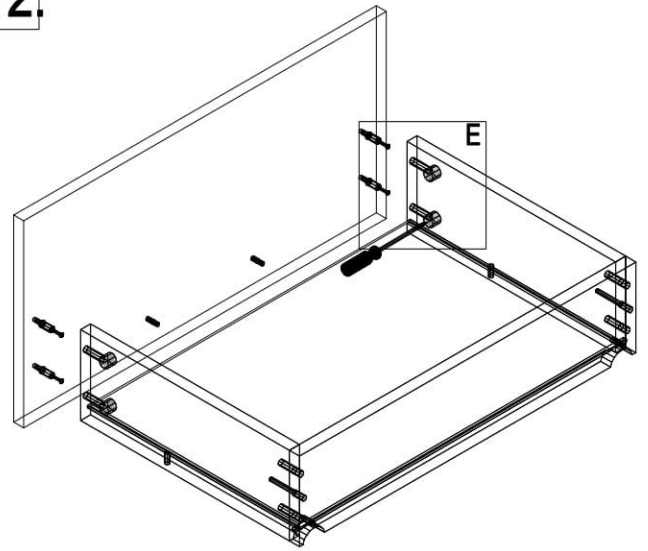


11.



8x C11

12.



4x C11

13.

