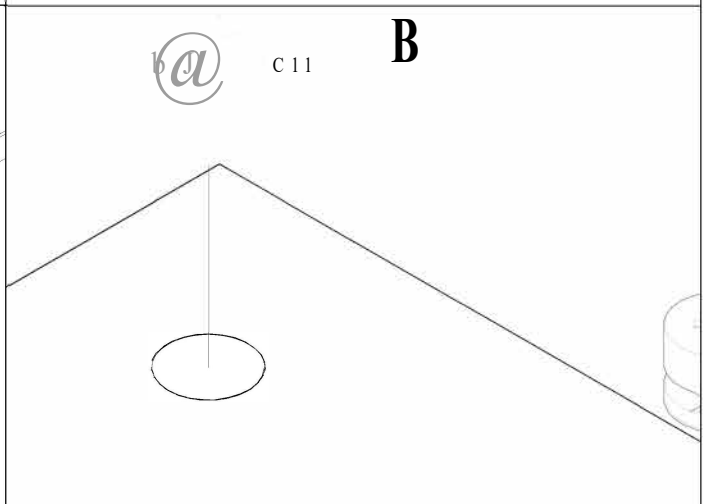
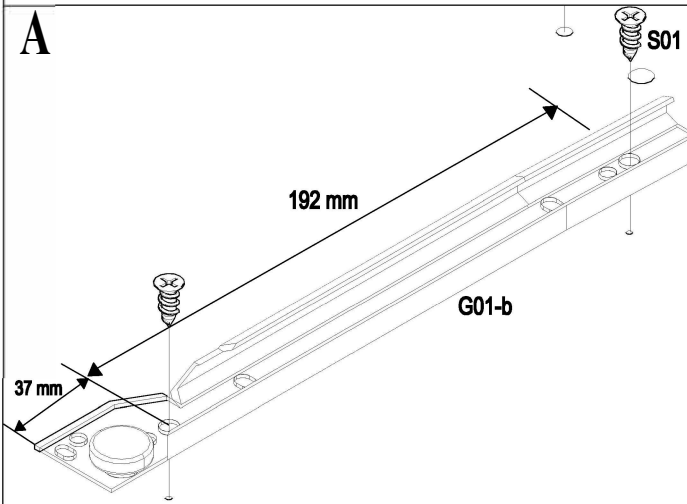
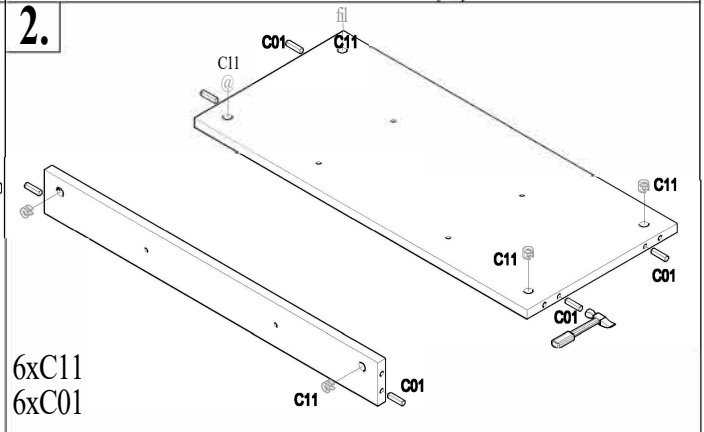
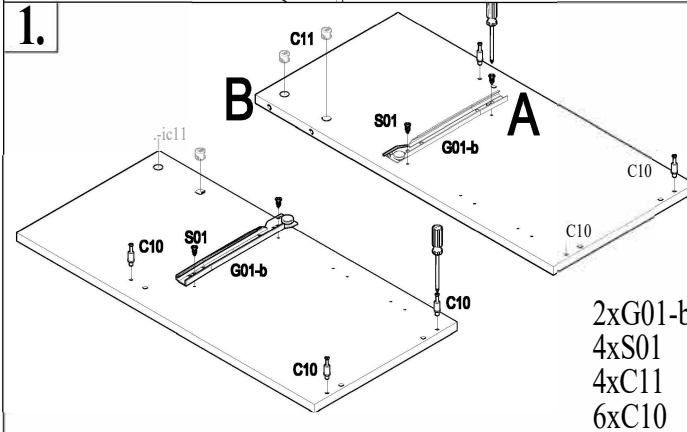
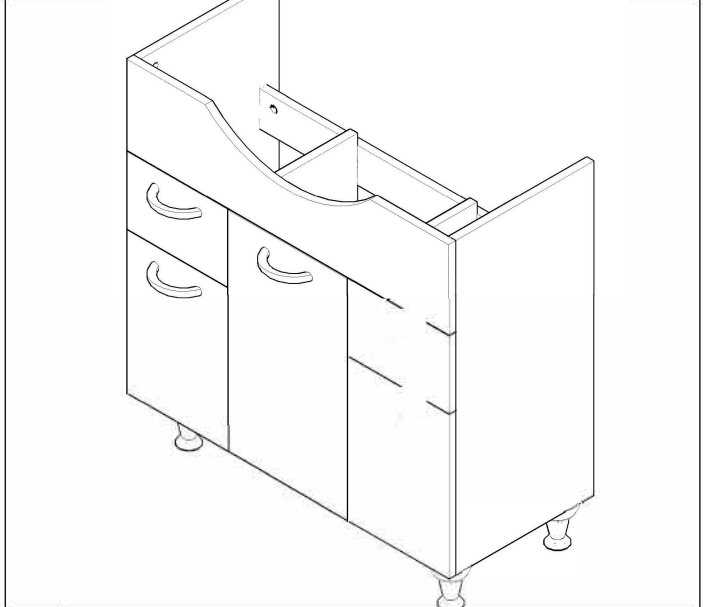
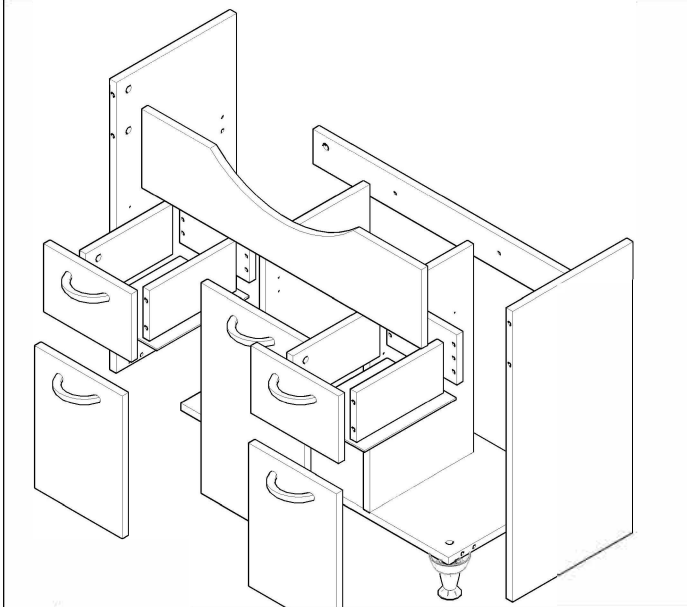
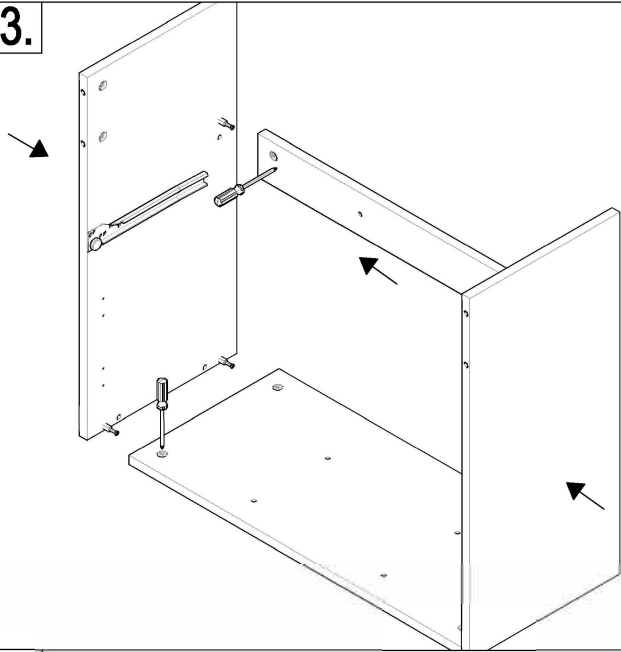


# NR.24

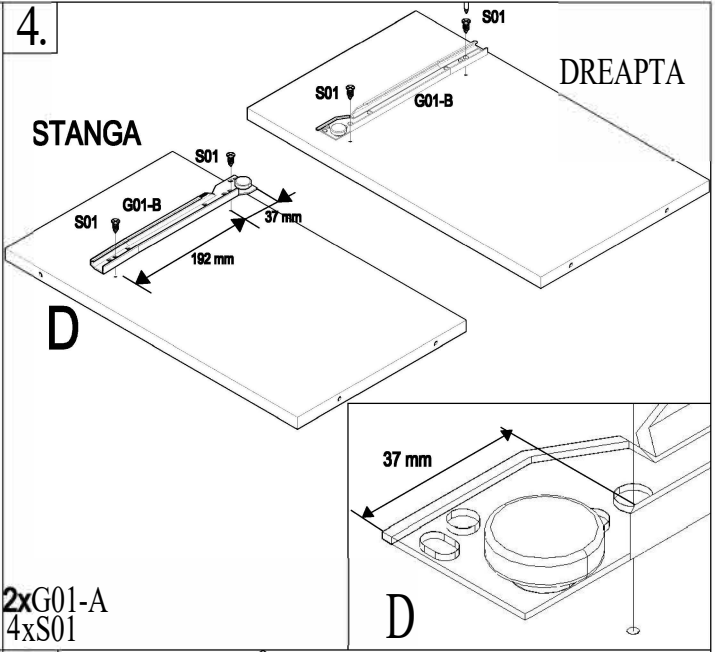
S01	3.5x16 <b>x60</b>	S11	<b>1</b> <b>x10</b>	M4x22 C01	<b>x14</b>	C10	<b>x18</b>	c11	<b>x18</b>	P01	<b>x4</b>
B01	<b>x4</b>	M01	<b>x5</b>	S02	<b>B</b> <b>x10</b>	B02	<b>x2</b>	G01	<b>x2</b>		



3.

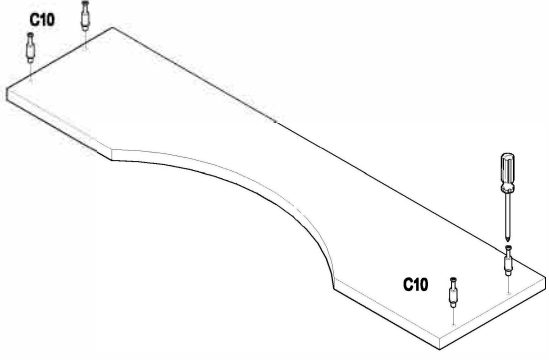


4.



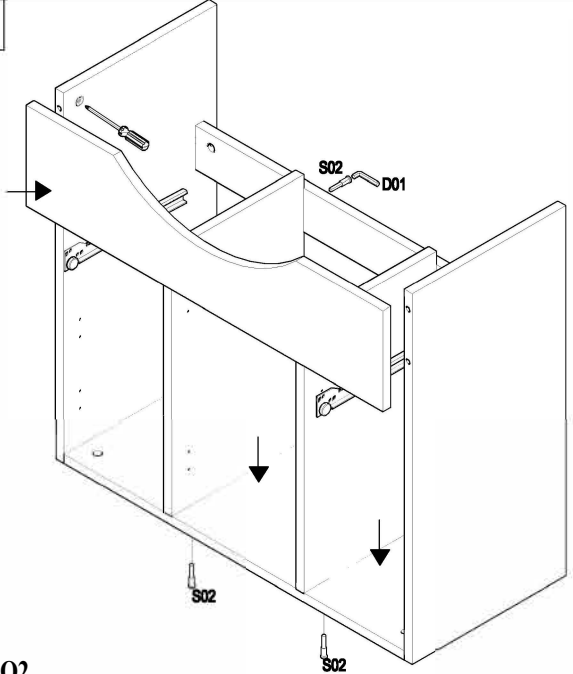
2xG01-A  
4xS01

5.



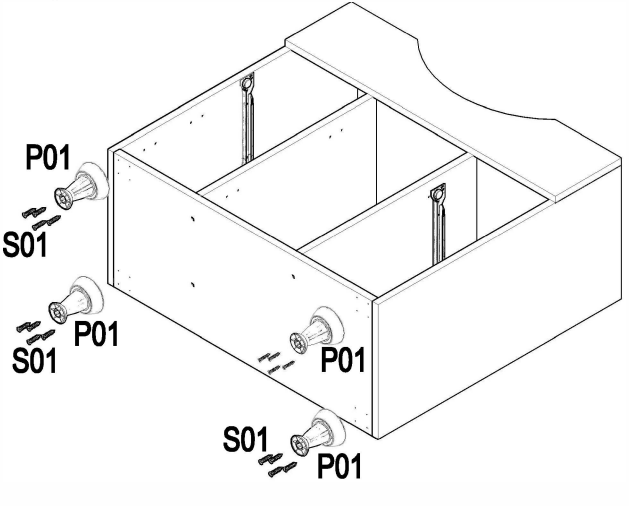
4xC10

6.



16XSQ2

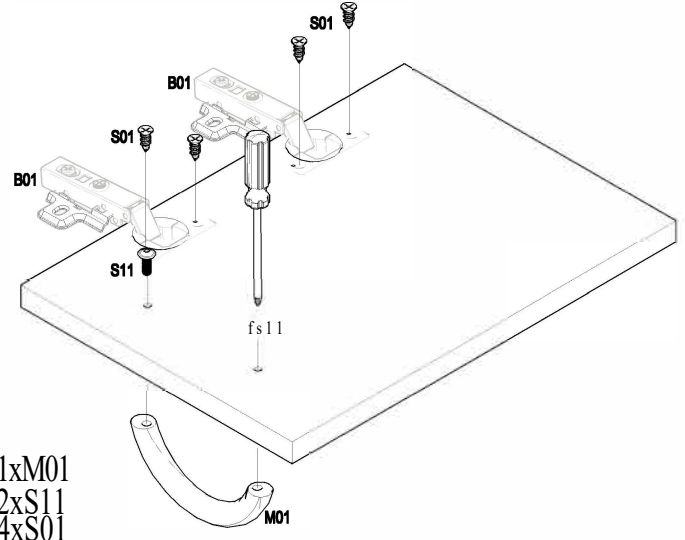
7.



16xS01  
4xP01

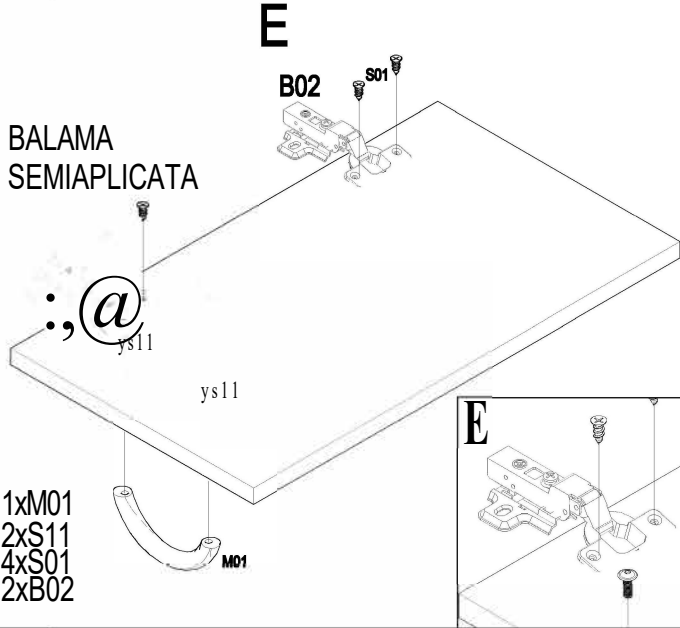
8.

X-2

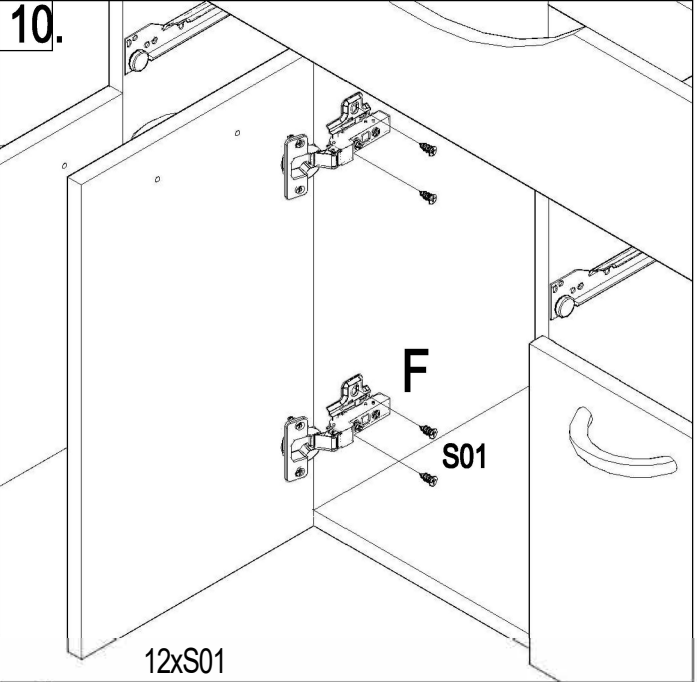


1xM01  
2xS11  
4xS01  
2xB01

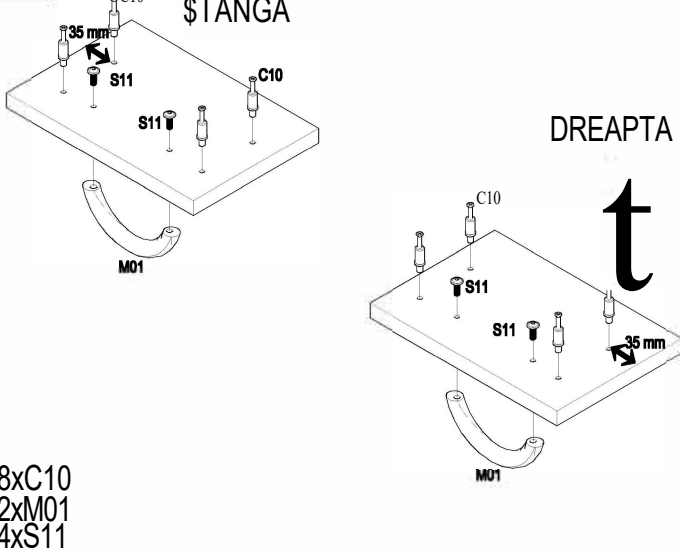
9.



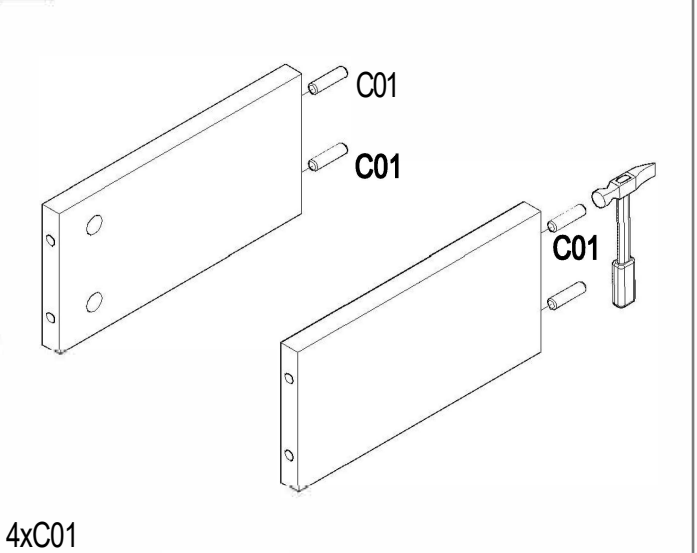
10.



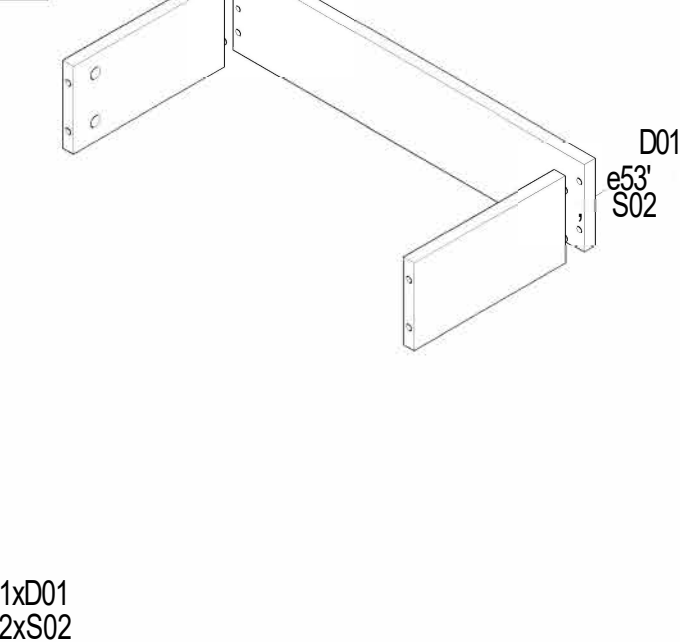
11.



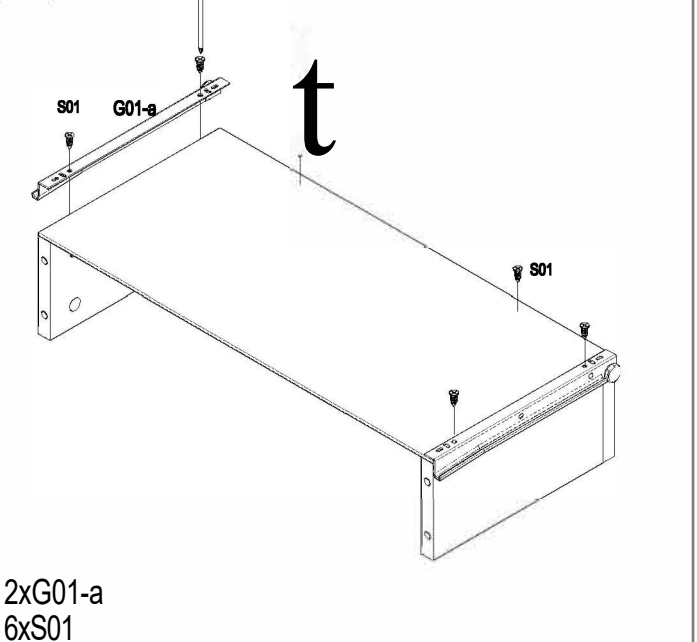
12. X 2



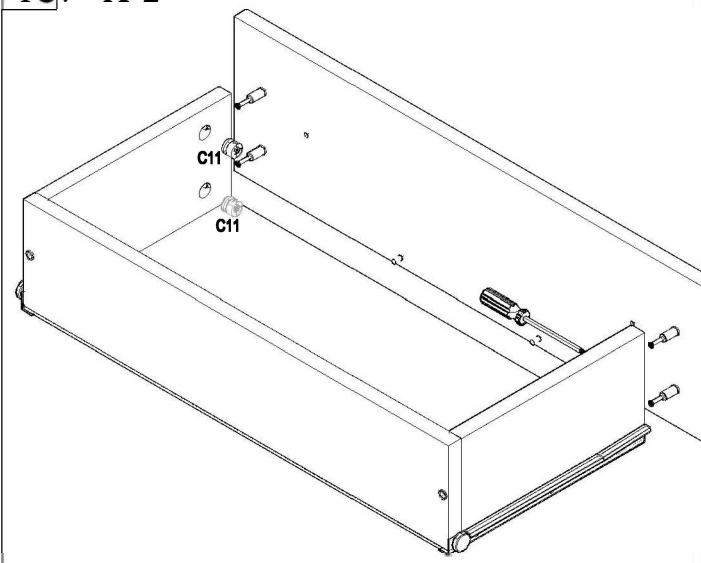
13. X2



14. X 2

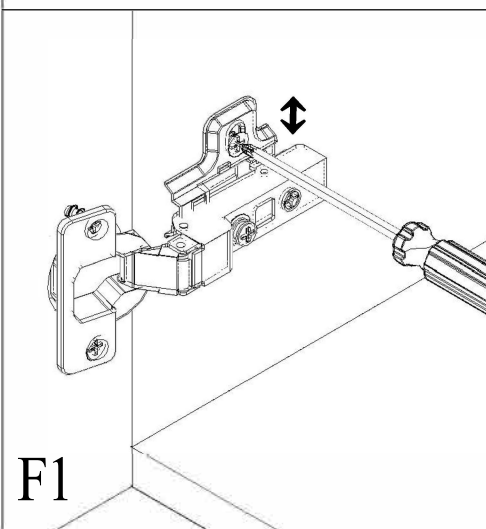
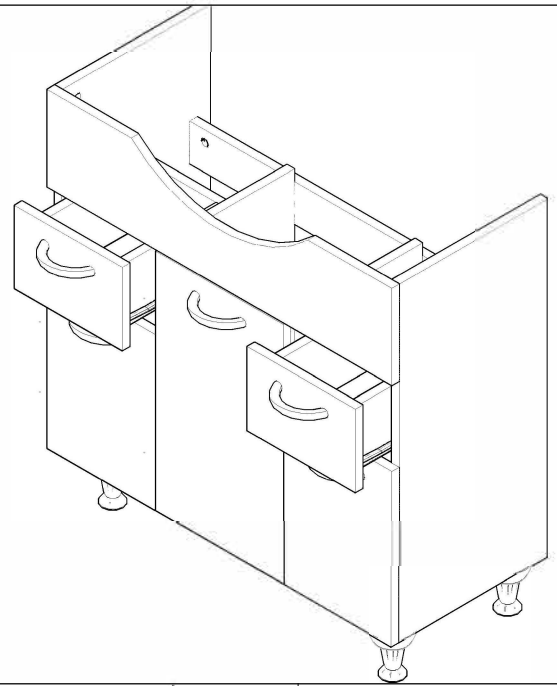


15. X 2



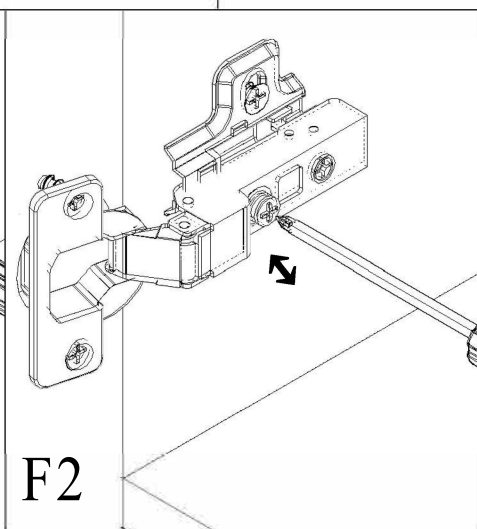
4xC11

16



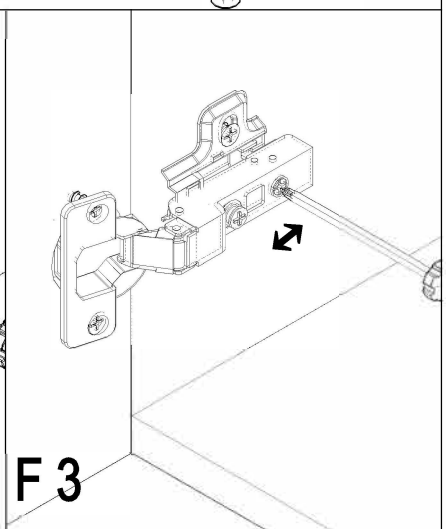
F1

HEIGHT ADJUSTMENT



F2

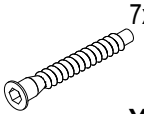



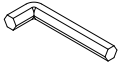
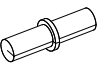
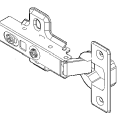



SIDE ADJUSTMENT

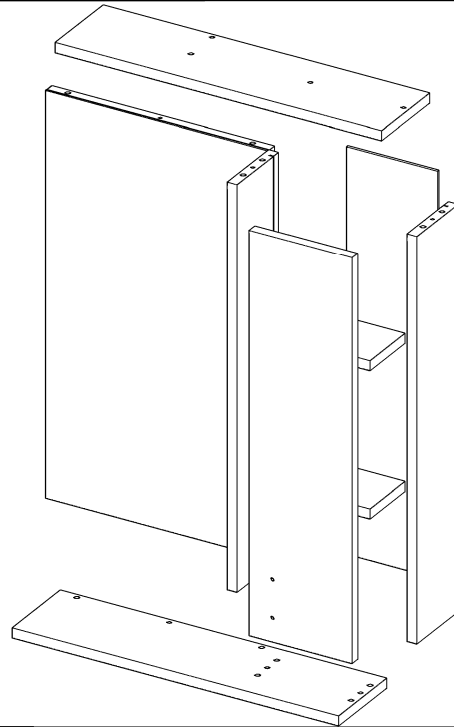
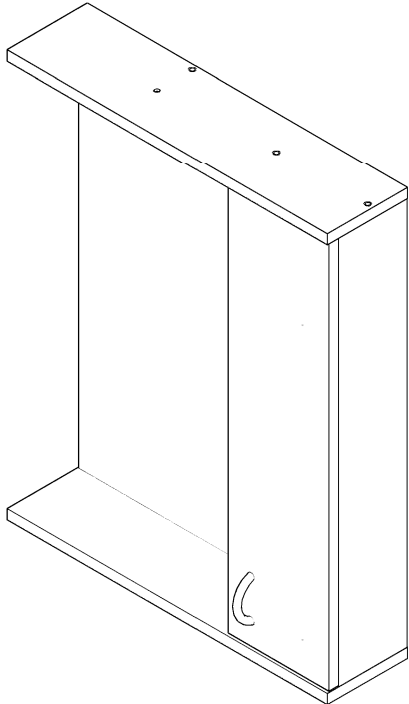


F3

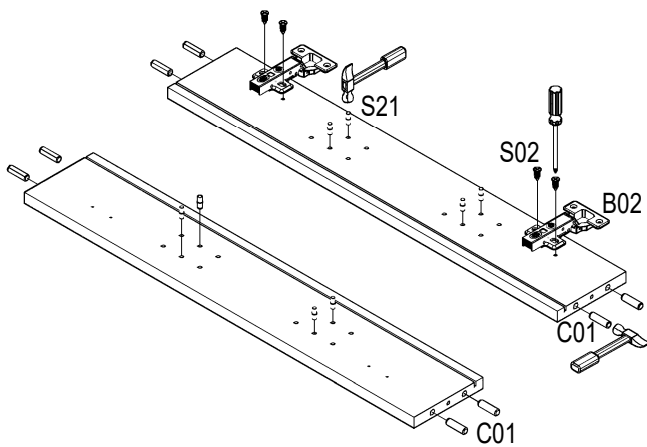
DEPTH ADJUSTMENT

# NR.1

 7x50 S01 <b>x6</b>	 3.5x16 S02 <b>x8</b>	 M4x22 S11 <b>x2</b>	 C01 <b>x12</b>	 D01 <b>x1</b>	 S21 <b>x8</b>
 B01 <b>x2</b>	 M01 <b>x1</b>	 A04 <b>x2</b>	 D04 <b>x1</b>		

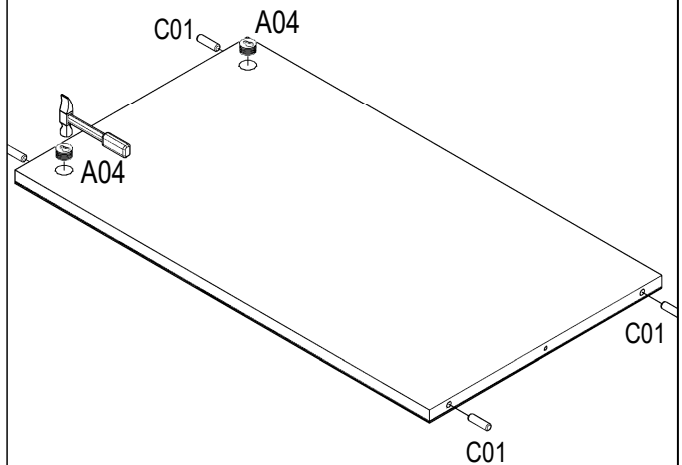


1.



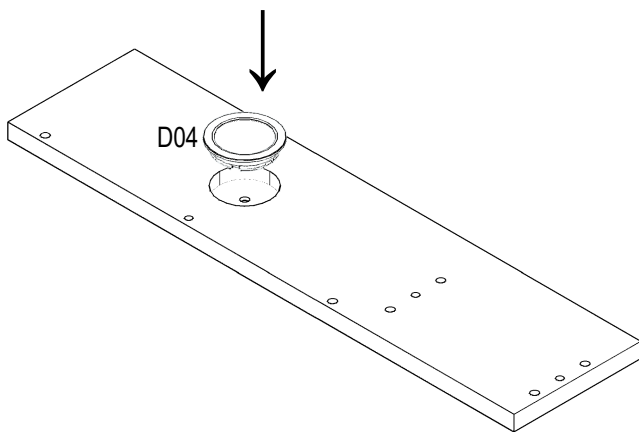
8xC01  
 8xS21  
 2xB02  
 4xS02

2.



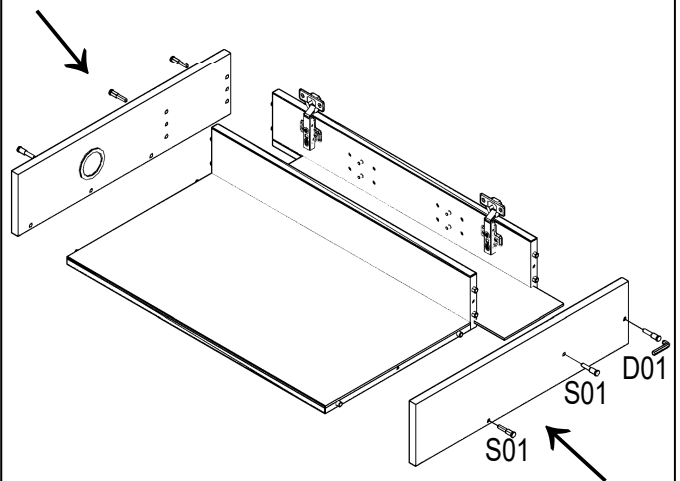
2xA04  
 4xC01

3.



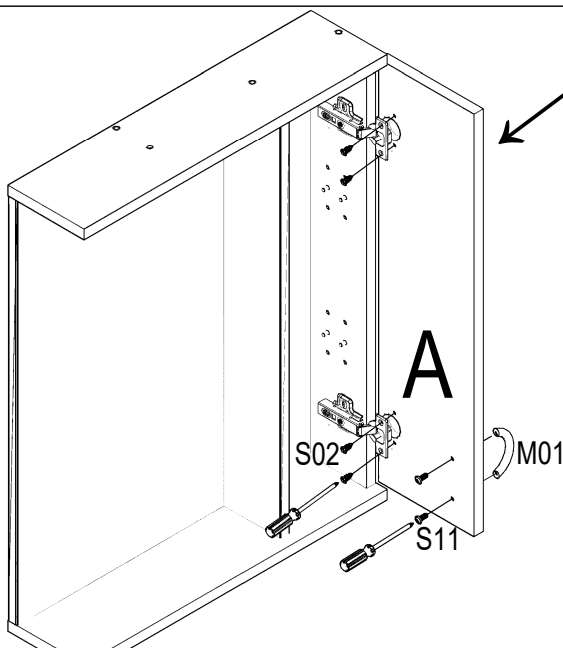
1xD04

4.

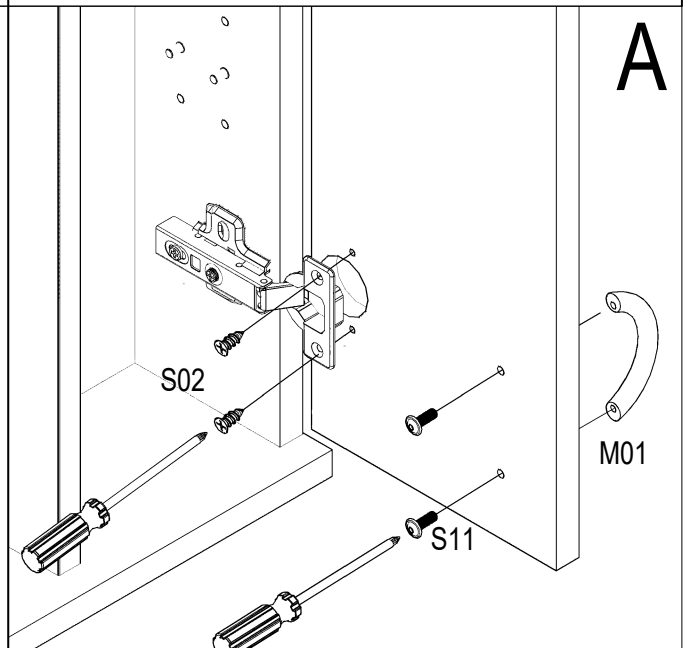


6xS01  
1xD01

5.



1xM01  
2xS11  
4xS02

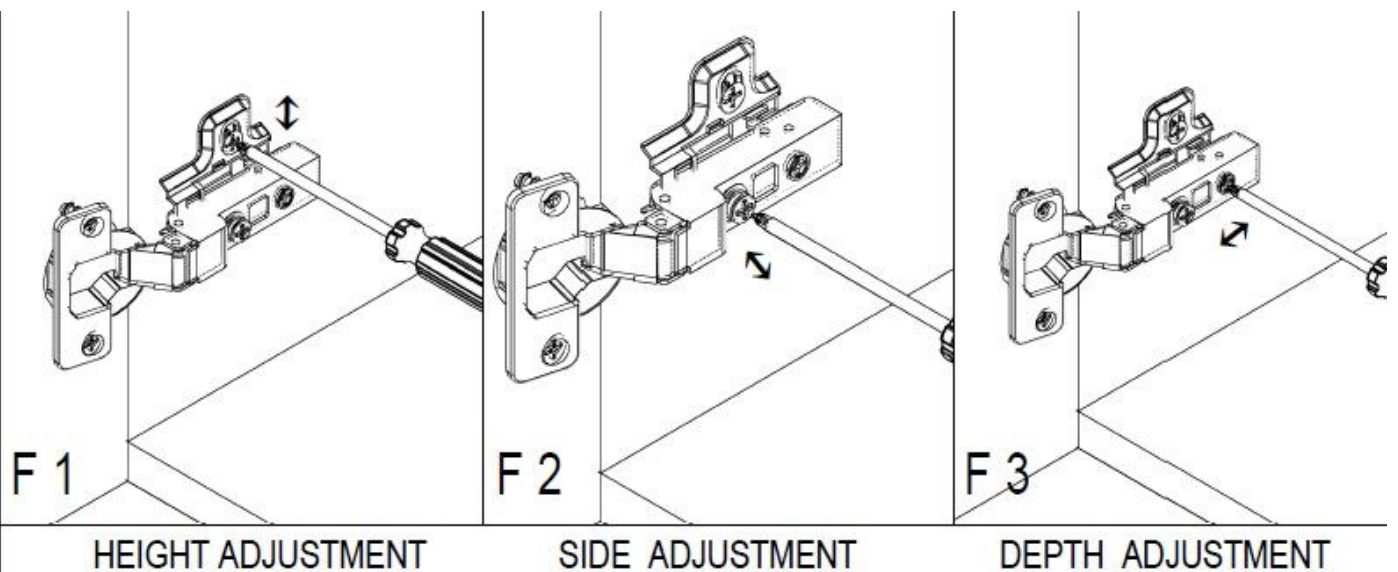


A

M01

S02

S11



F 1

F 2

F 3

HEIGHT ADJUSTMENT

SIDE ADJUSTMENT

DEPTH ADJUSTMENT