


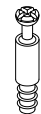

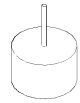
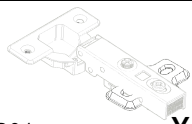
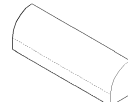
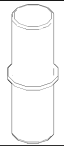
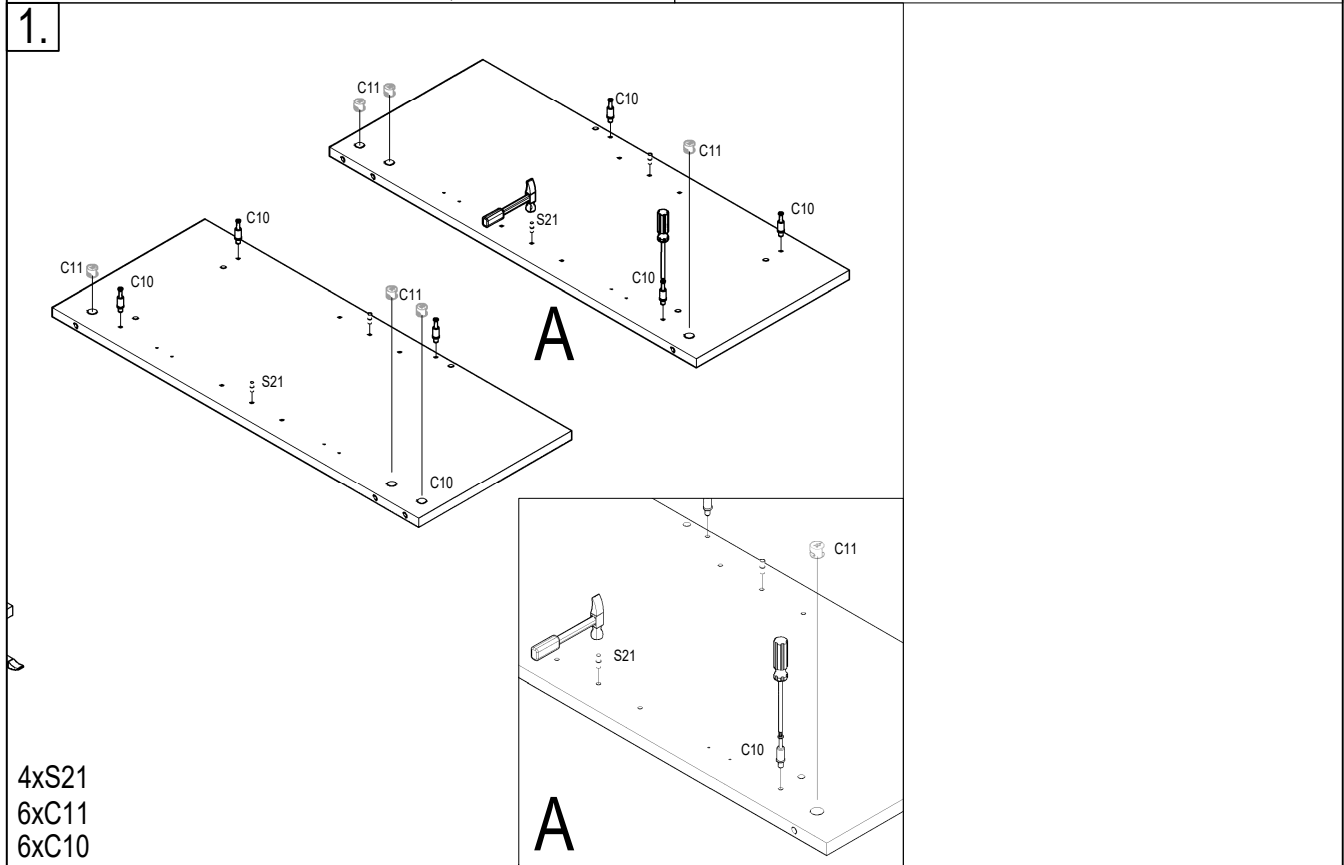
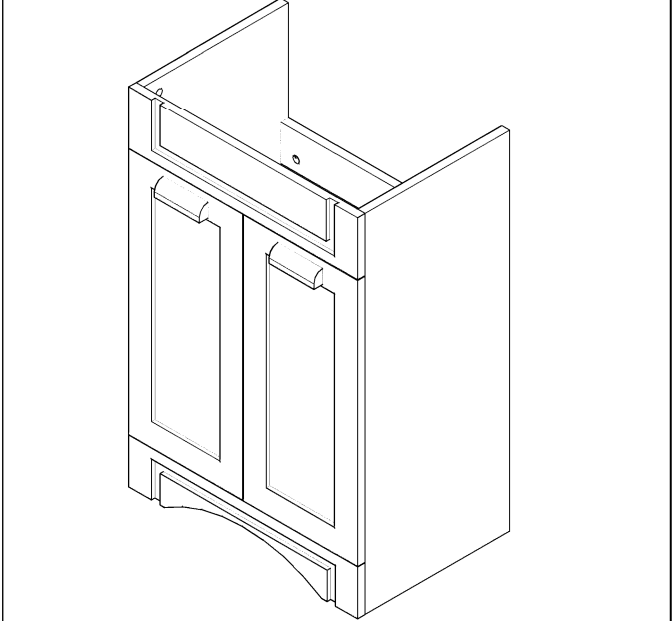
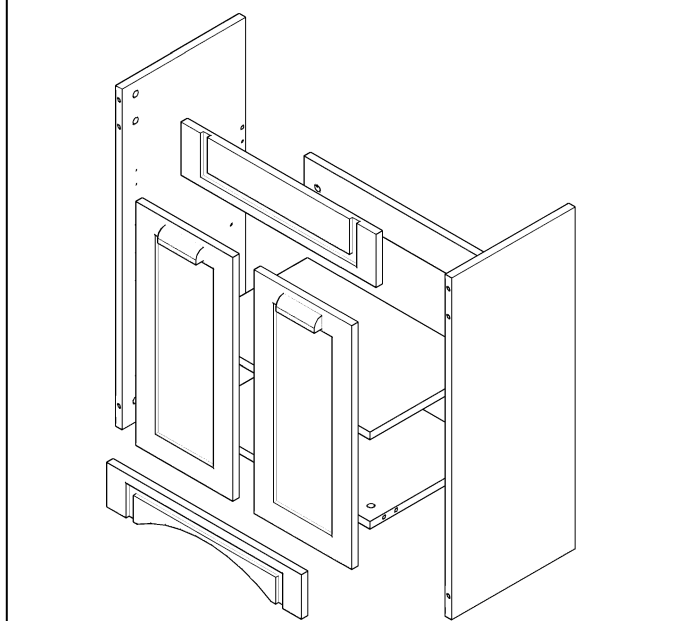
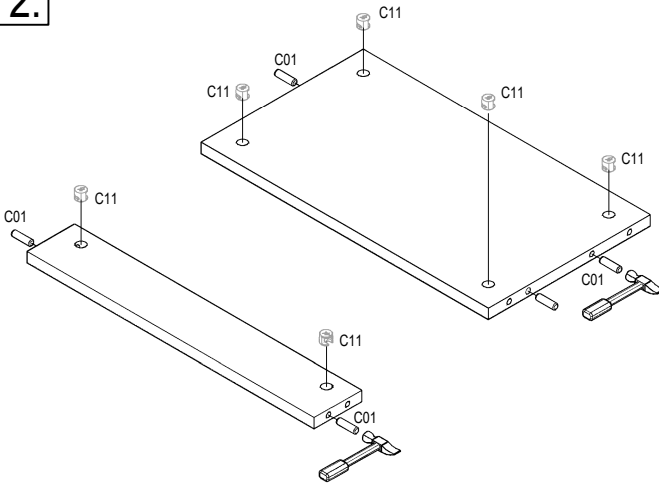


NR.72

 3.5x16 S02 x16	 M4x22 S11 x4	 C01 x6	 C10 x12	 C11 x12	 P01 x4
 B01 x4	 M01 x2	 S21 x4			

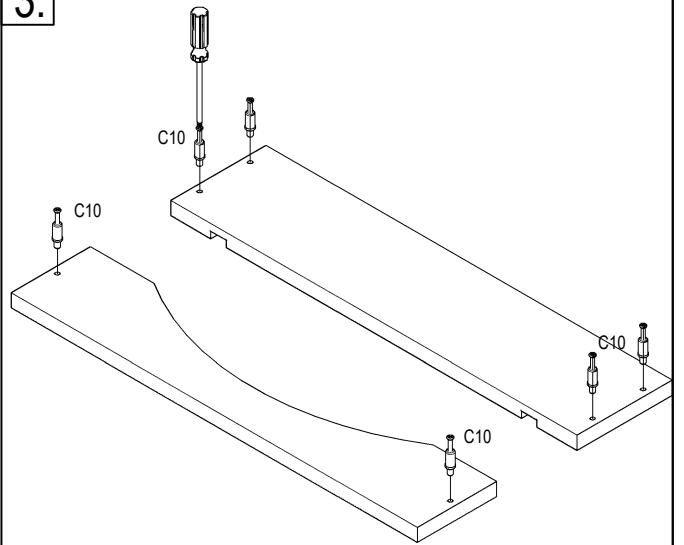


2.



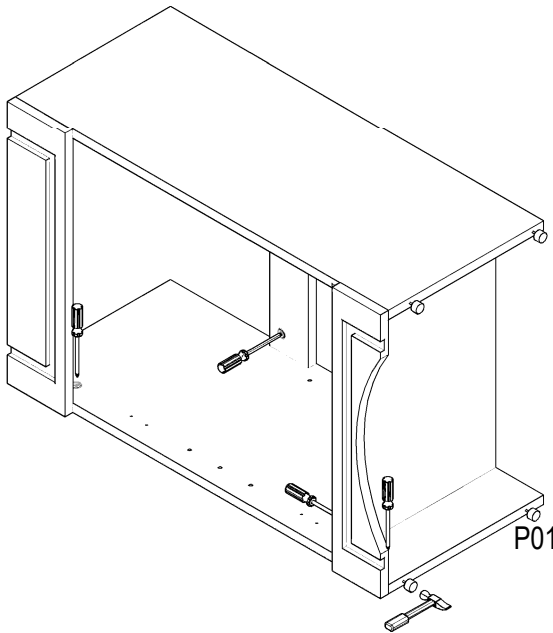
6xC11
6xC01

3.



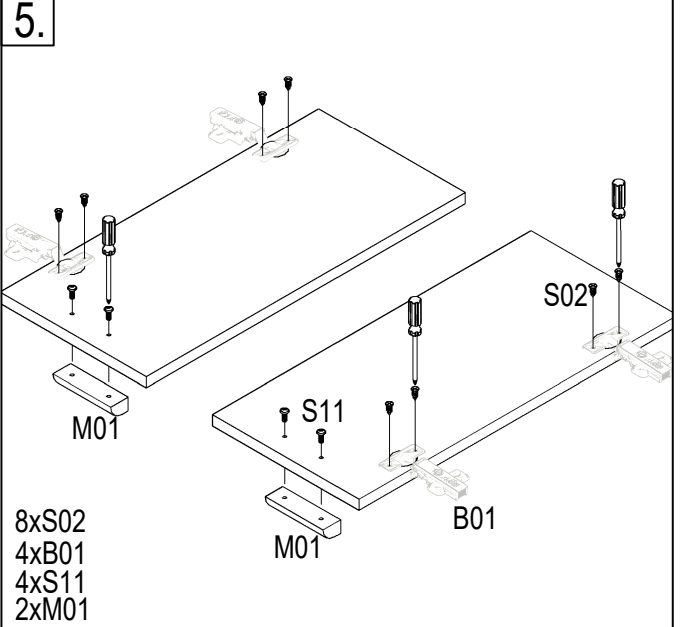
6xC10

4.



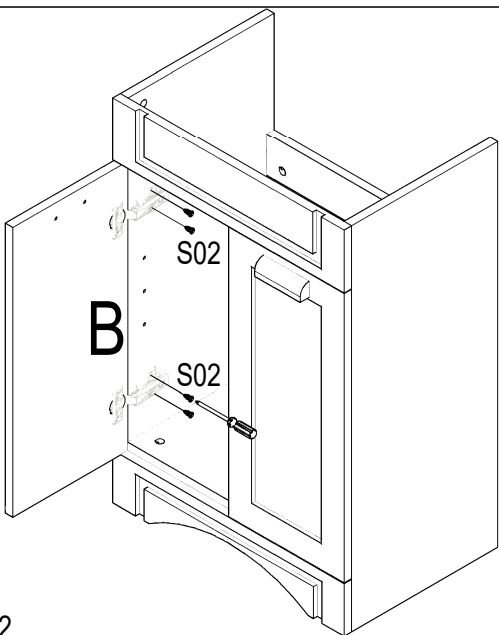
4xP01

5.



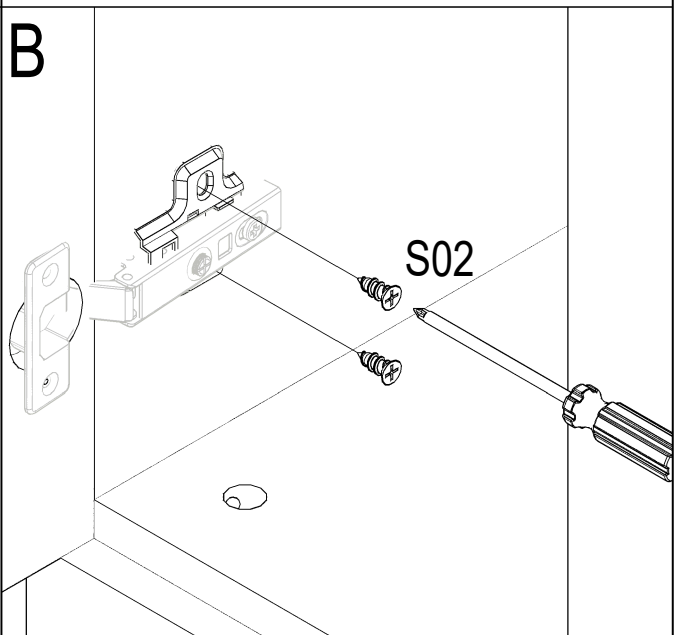
8xS02
4xB01
4xS11
2xM01

5.

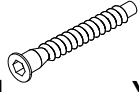



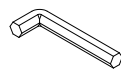
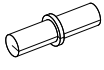
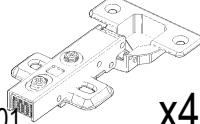
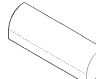
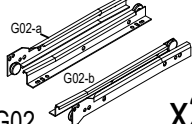
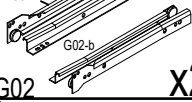
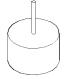


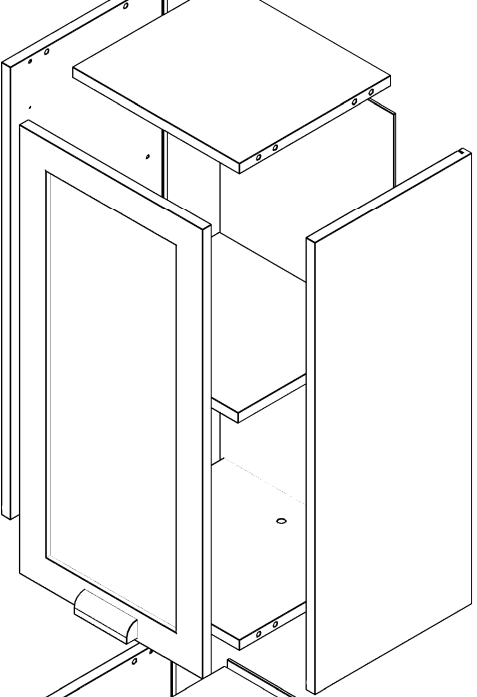
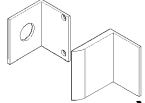



8xS02

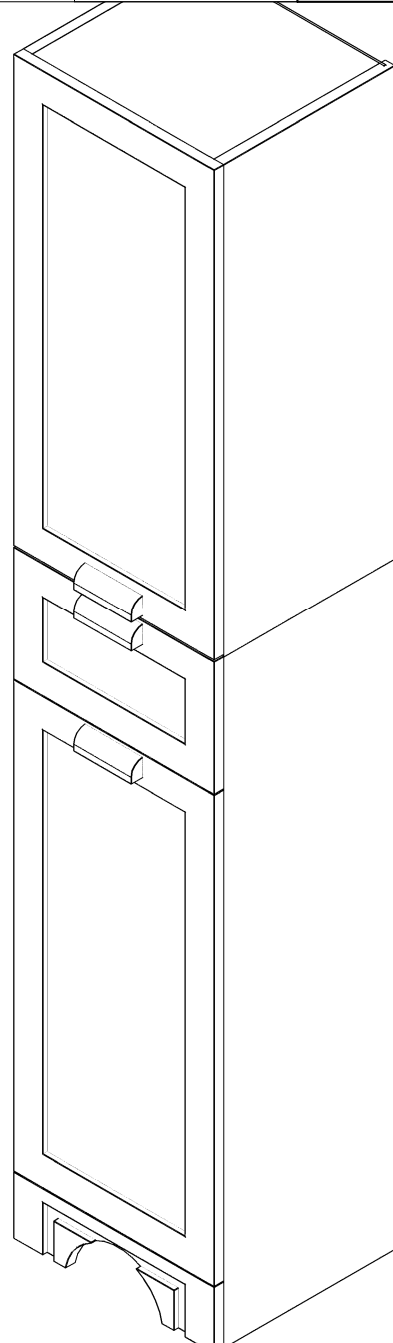
B



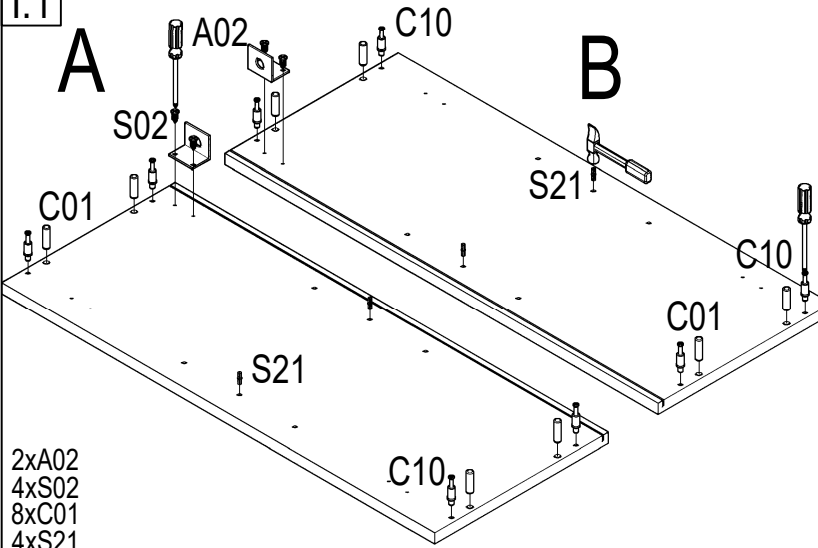
NR.113

 7x50 S01	 3.5x16 S02	 M4x22 S11	 C01	 D01	 S21
x2	x42	x6	x20	x1	x9
 B01	 M01	 G02-a  G02-b G02	 P01	 C10	 C11
x4	x3	x2	x4	x22	x22
 <p>I</p>				 A02	 S05
				x2	x2

II

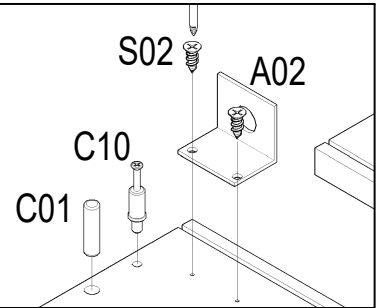


I.1

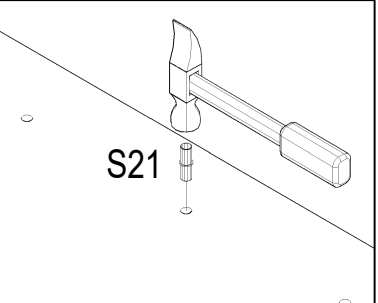


2xA02
 4xS02
 8xC01
 4xS21
 8xC10

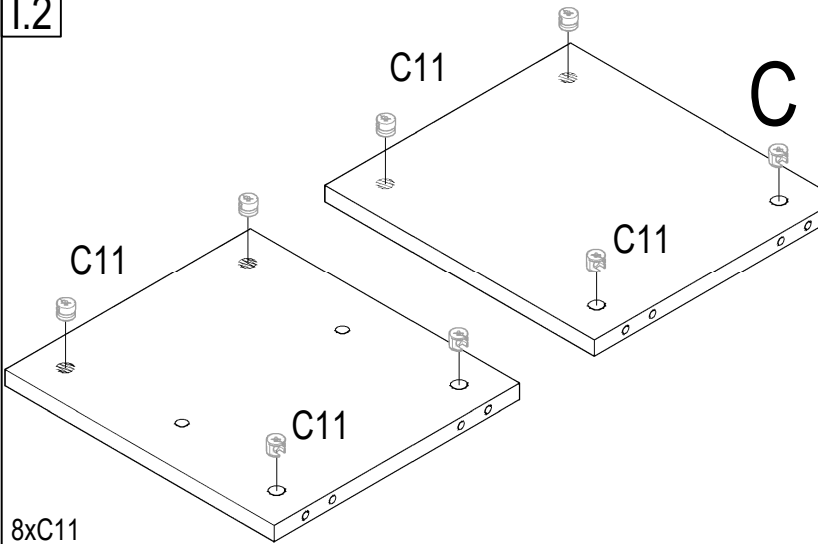
A



B

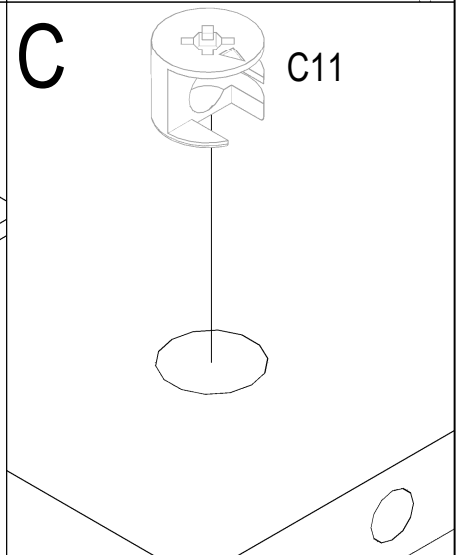


I.2

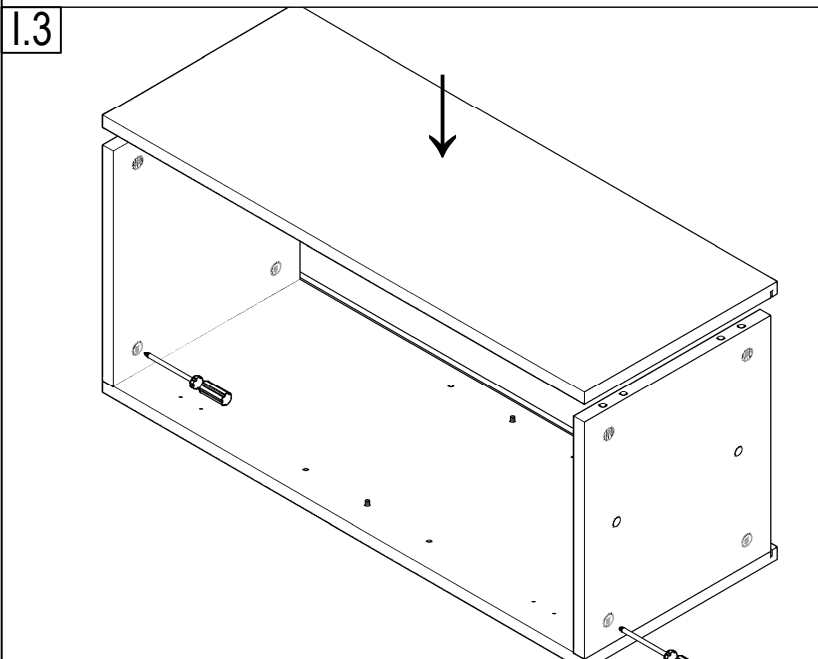


8xC11

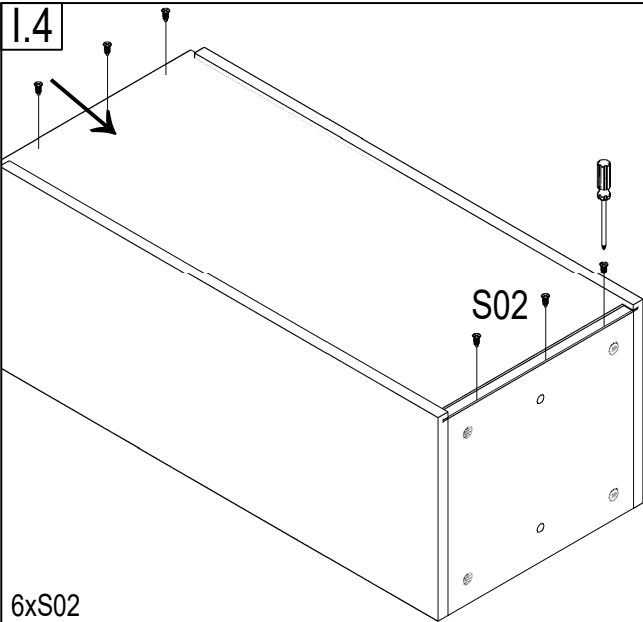
C



I.3

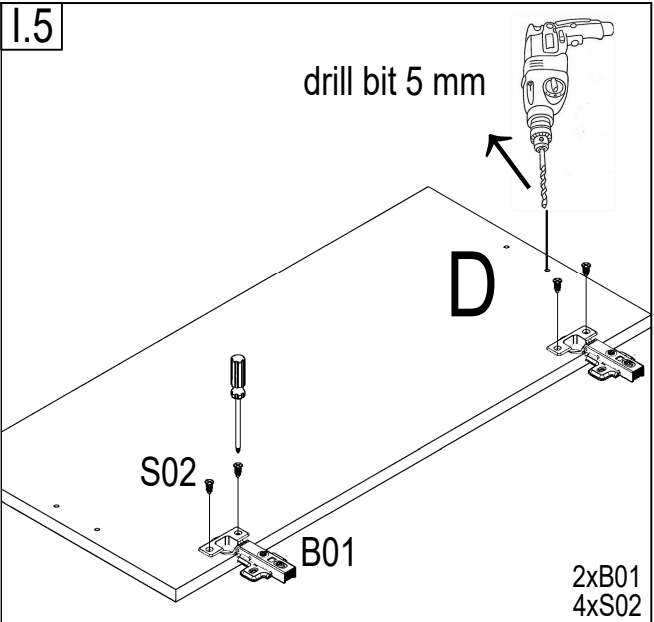


I.4



6xS02

I.5



drill bit 5 mm

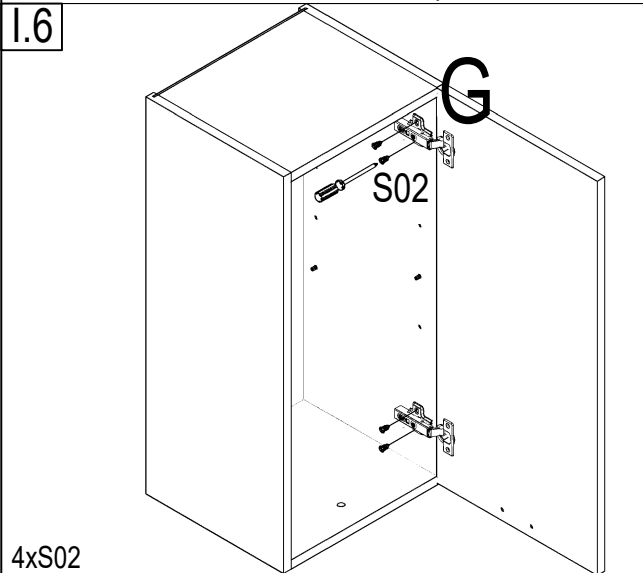
D

S02

B01

2xB01
4xS02

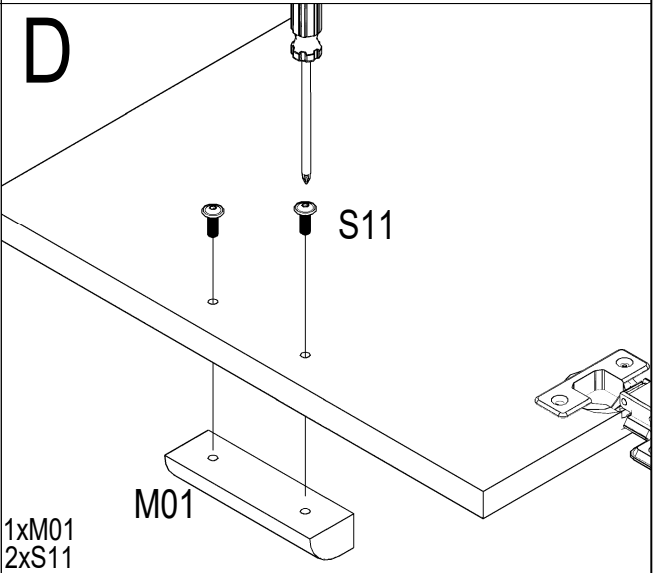
I.6



G

S02

4xS02



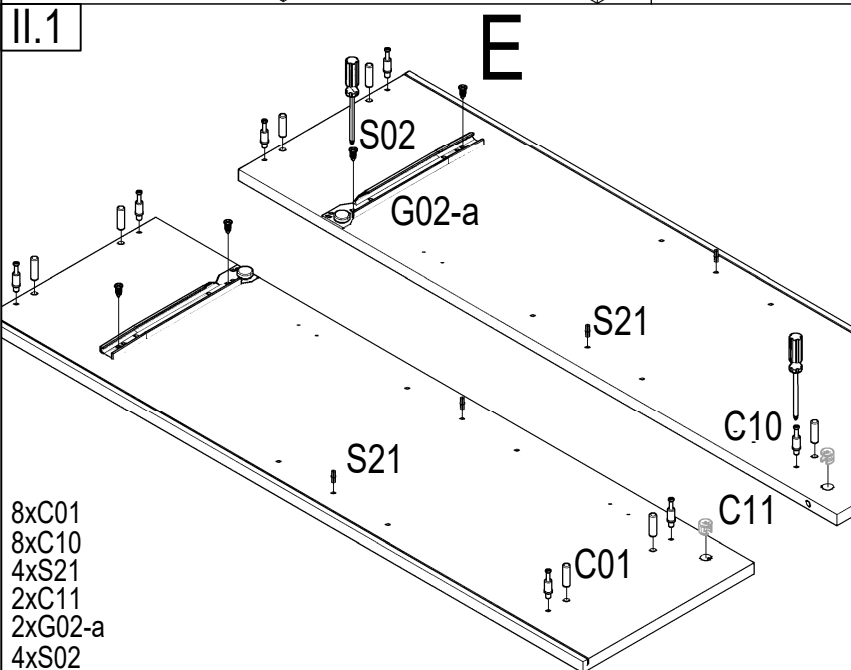
D

S11

M01

1xM01
2xS11

II.1



E

S02

G02-a

S21

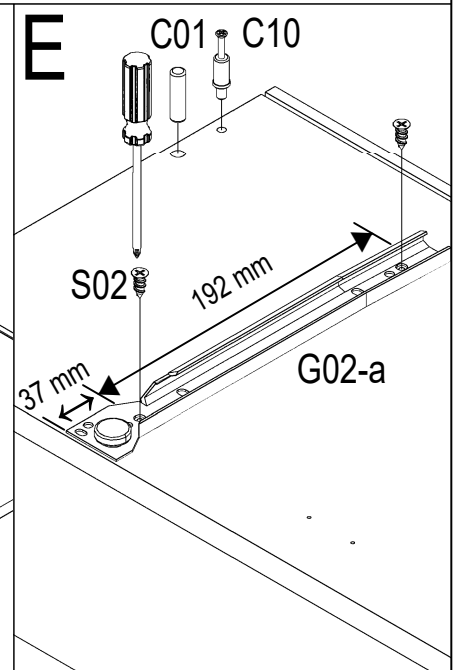
S21

C10

C11

C01

8xC01
8xC10
4xS21
2xC11
2xG02-a
4xS02



E

C01 C10

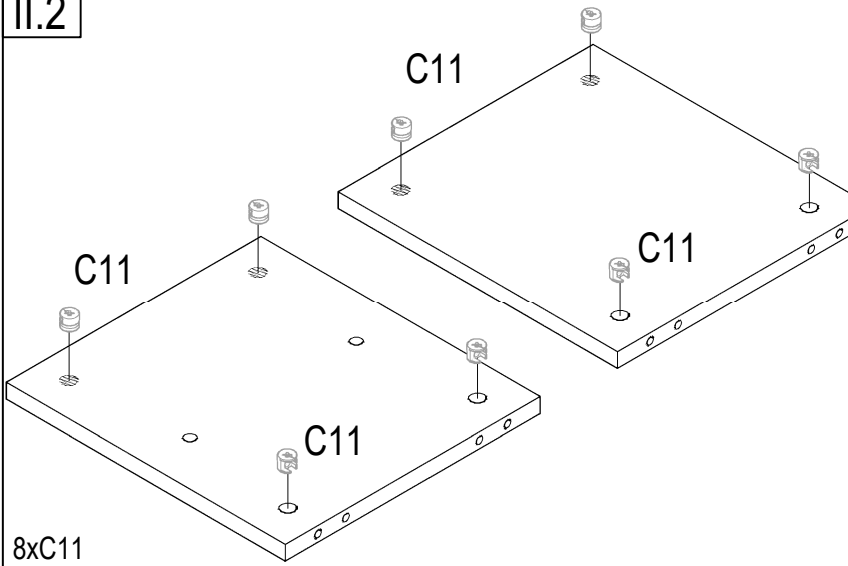
S02

192 mm

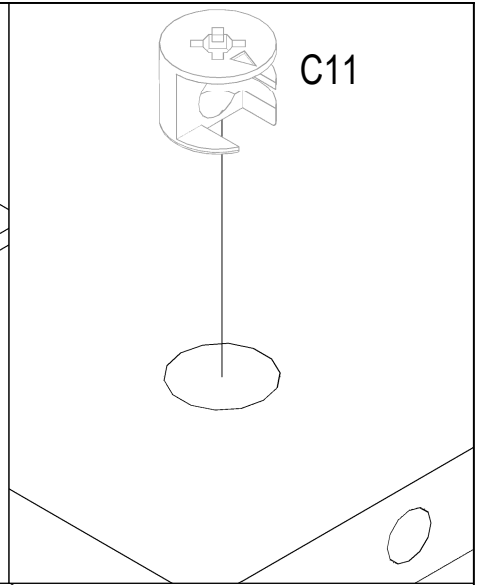
G02-a

37 mm

II.2

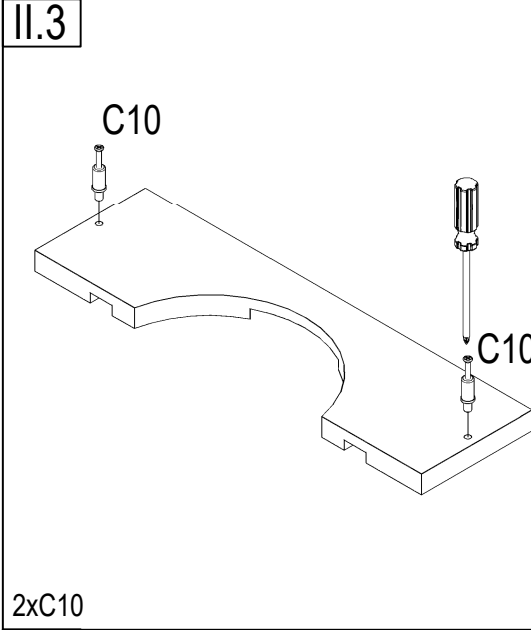


8xC11



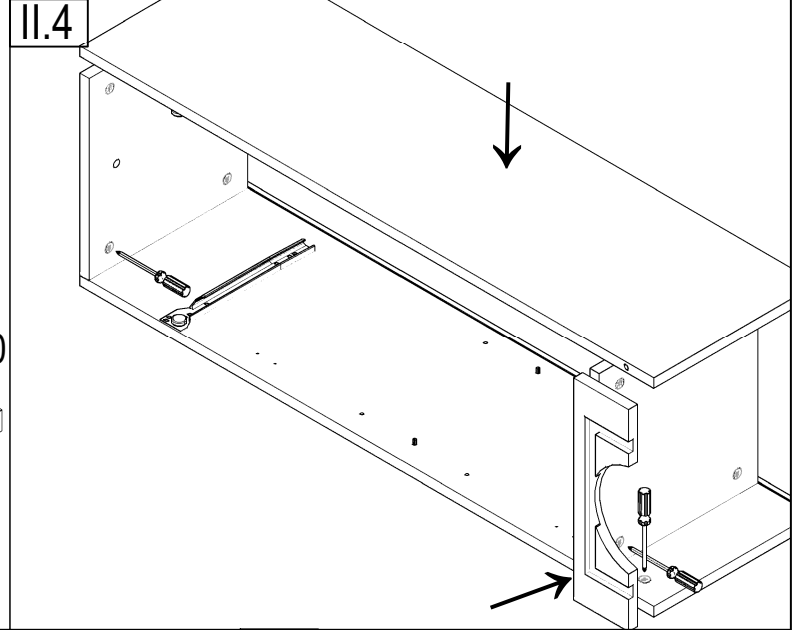
C11

II.3

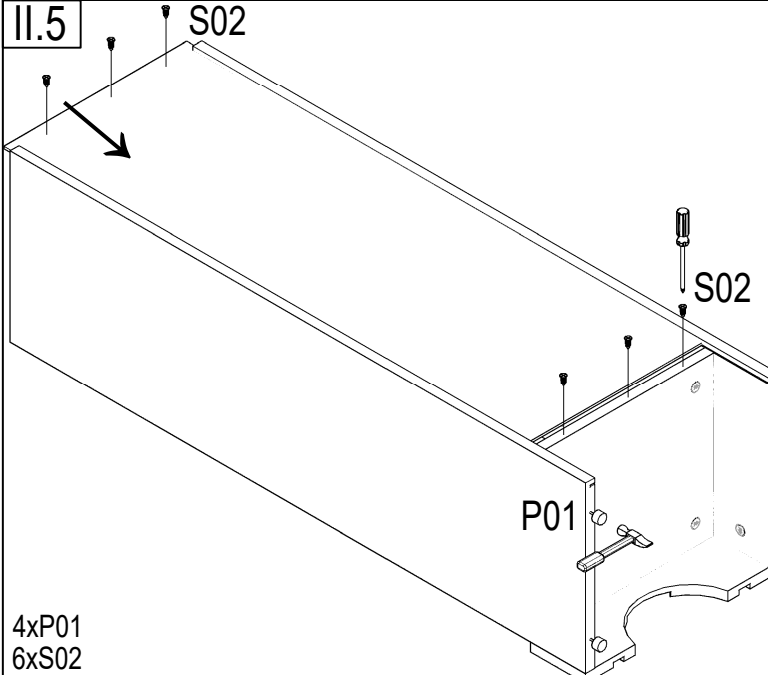


2xC10

II.4

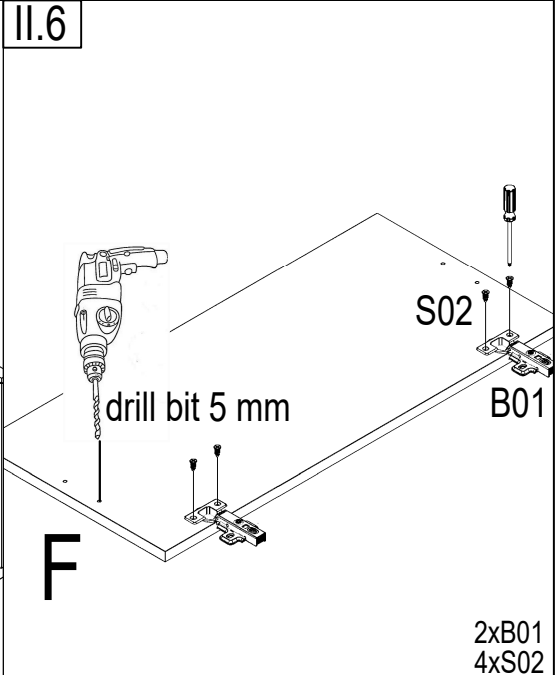


II.5



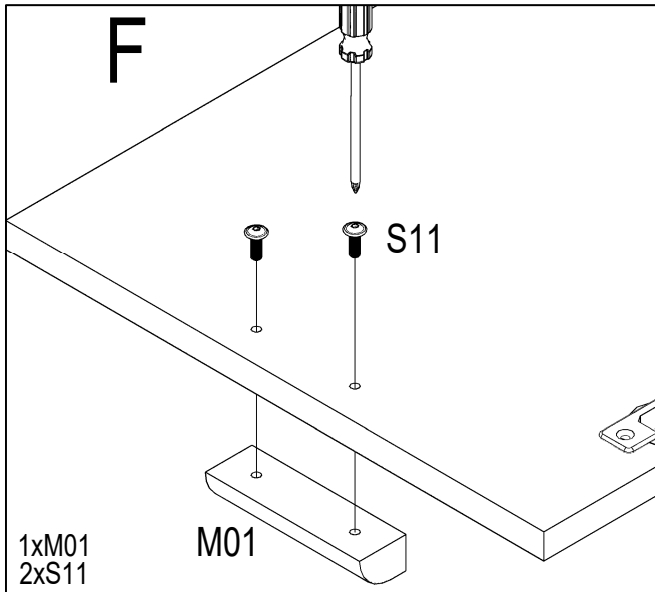
4xP01
6xS02

II.6

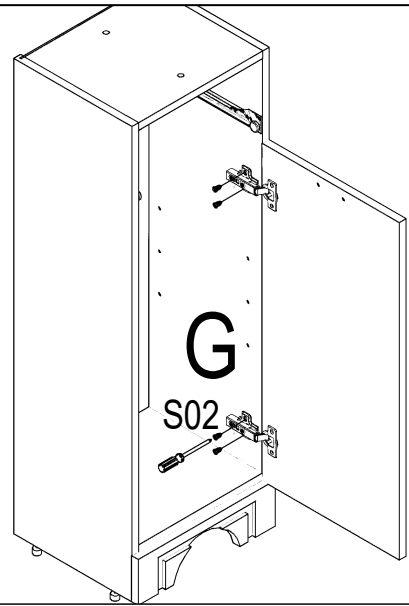


F

2xB01
4xS02



II.7



1xM01
2xS11

M01

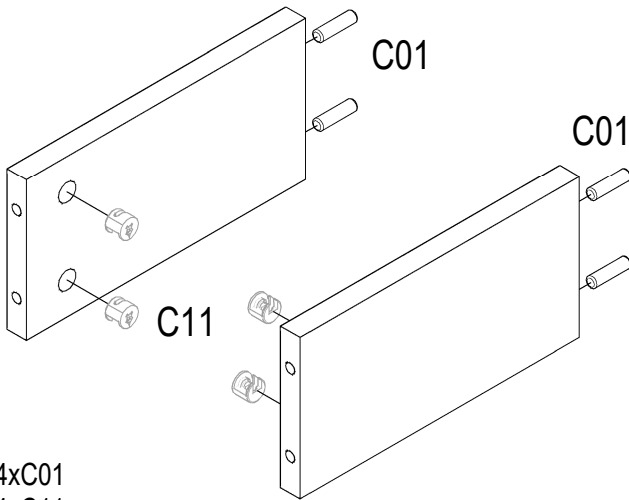
4xS02

G

S02

II.8

II.9

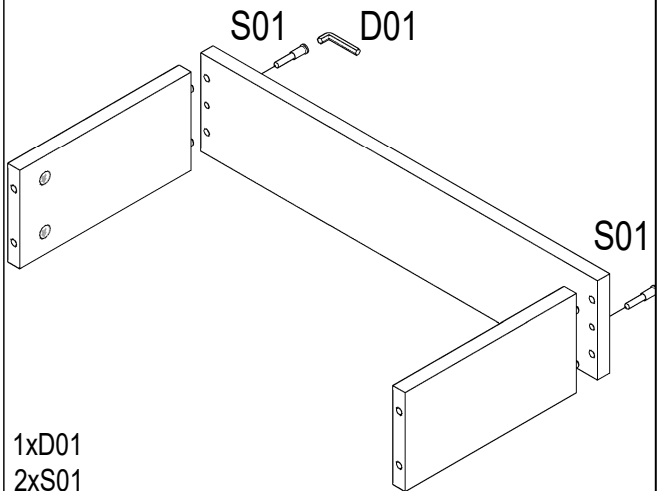


4xC01
4xC11

C01

C01

C11



1xD01
2xS01

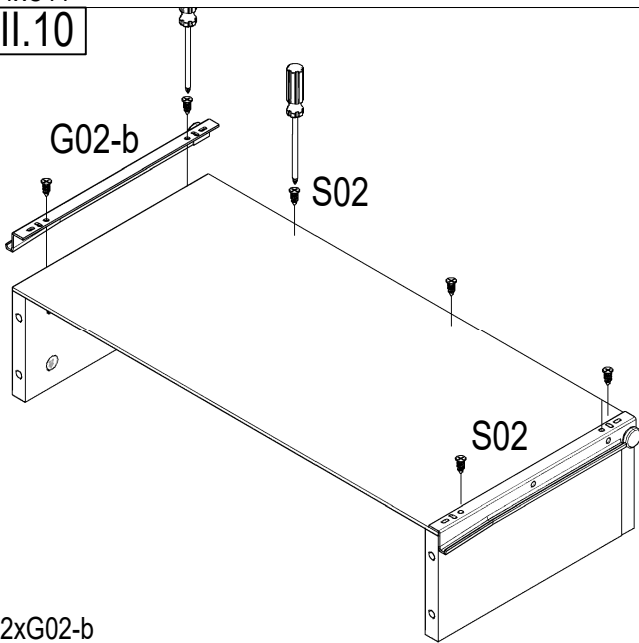
S01

D01

S01

II.10

II.11

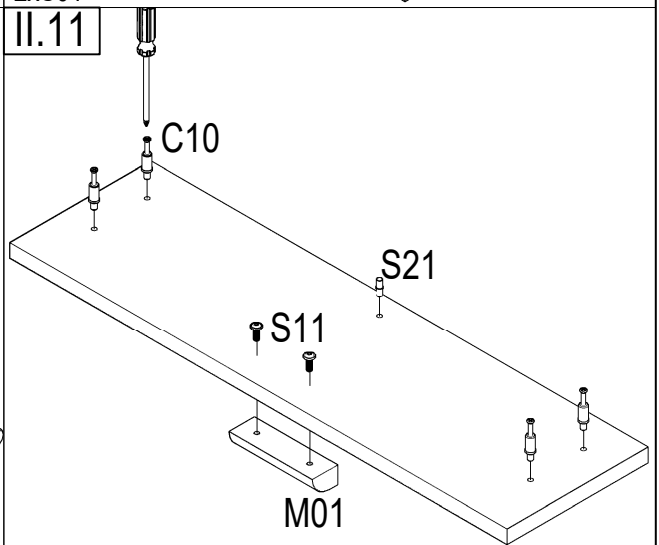


2xG02-b
6xS02

G02-b

S02

S02



4xC10
1xS21
1xM01
2xS11

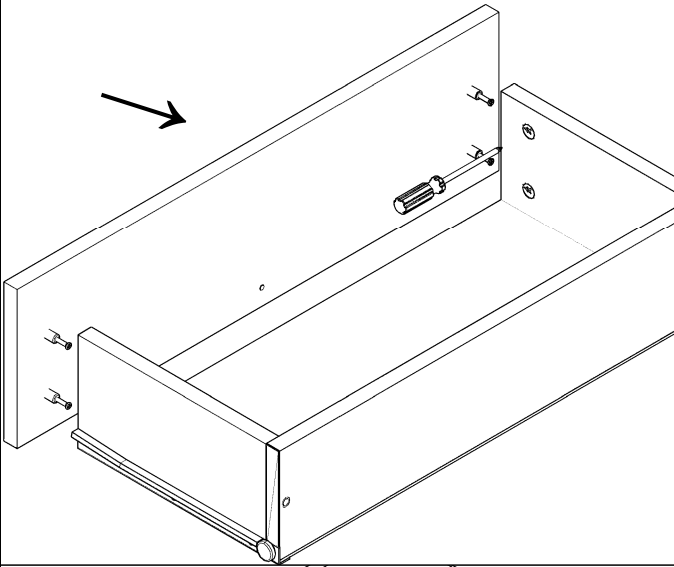
C10

S21

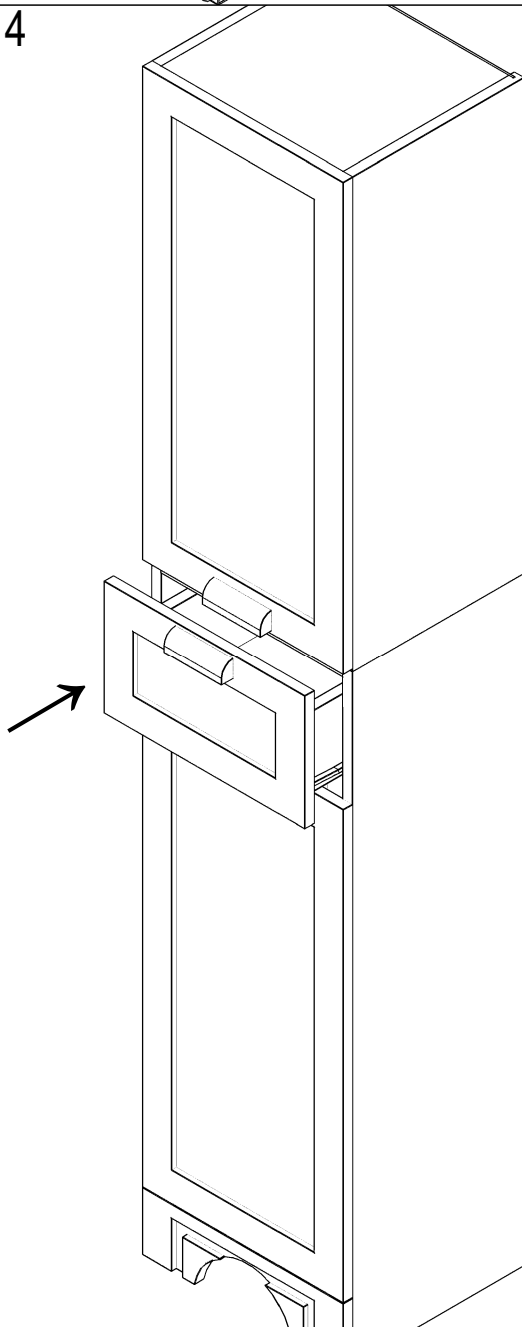
S11

M01

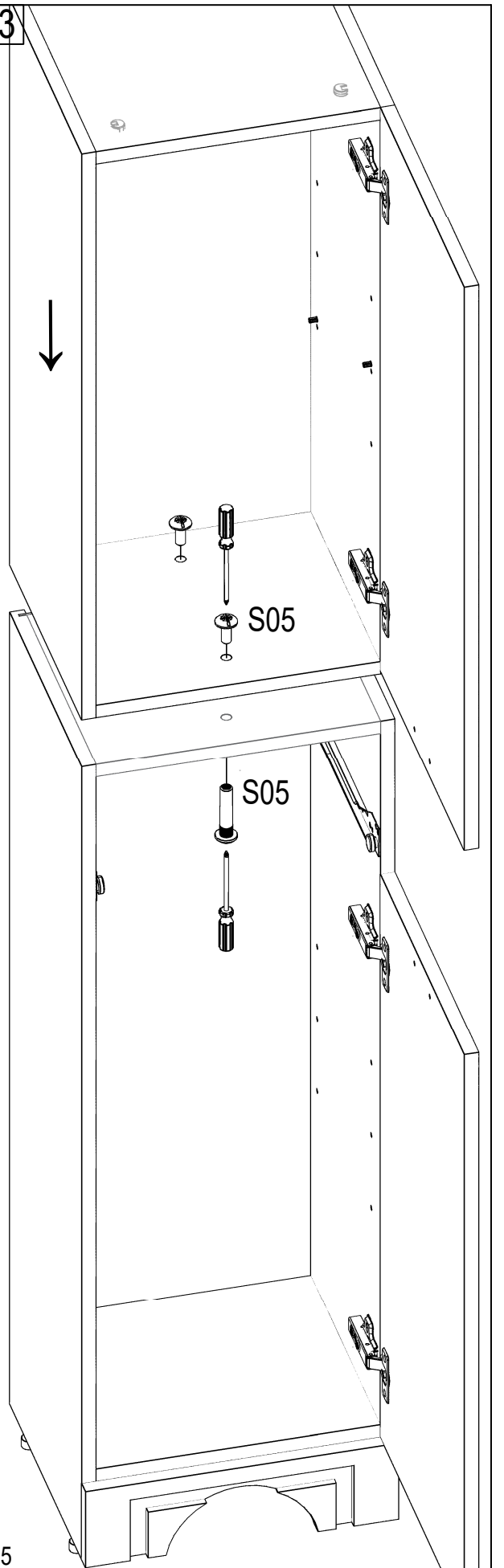
II.12



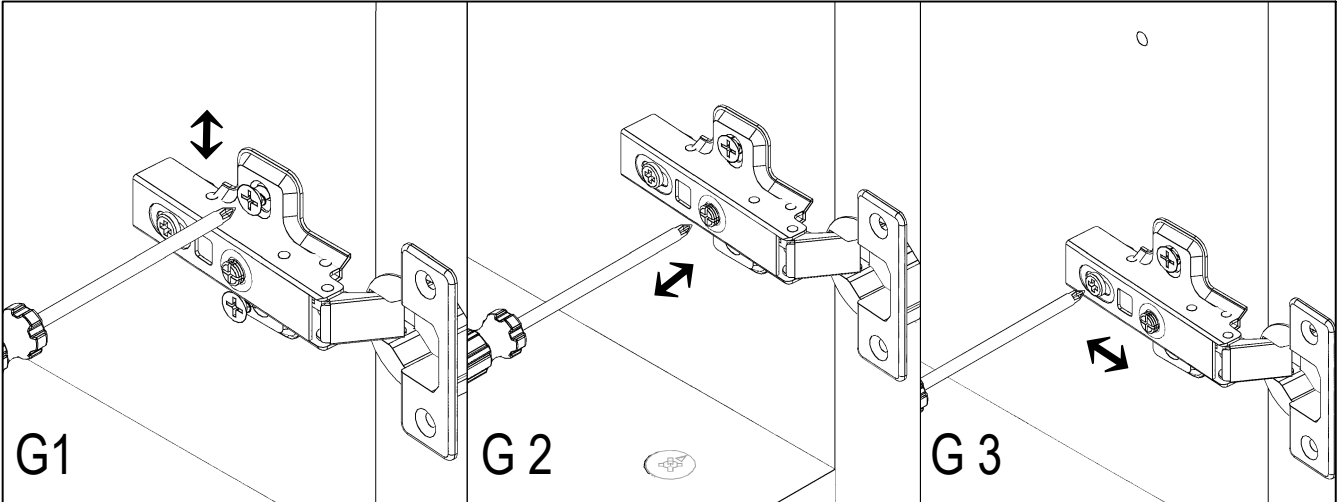
II.14



II.13



2xS05



G1

G2

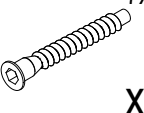



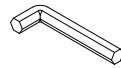
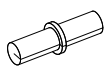
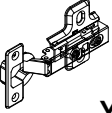
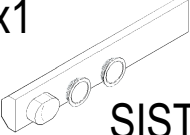
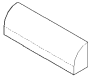

G3

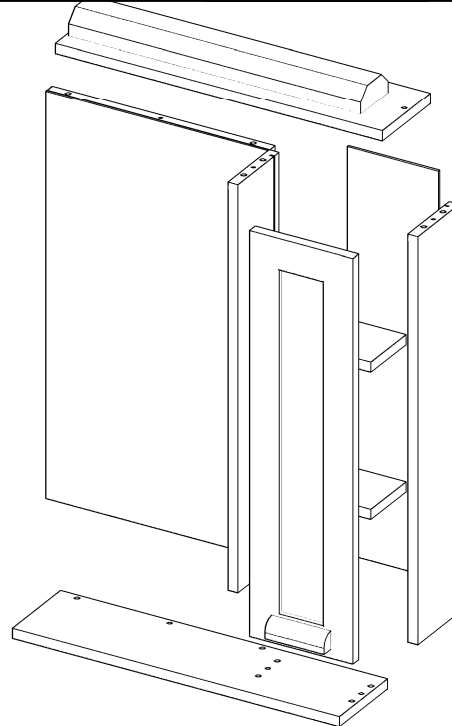
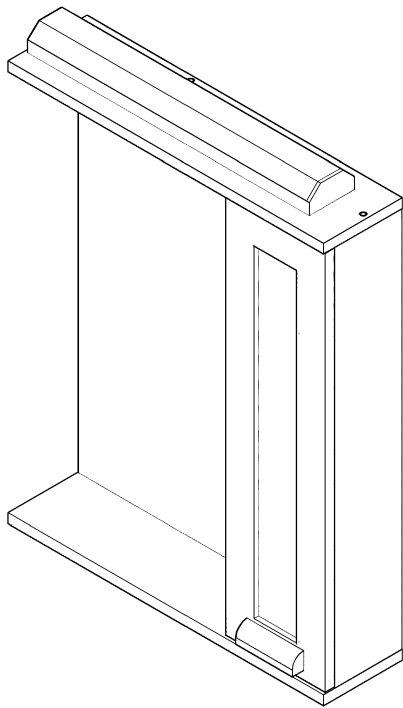
HEIGHT ADJUSTMENT

SIDE ADJUSTMENT

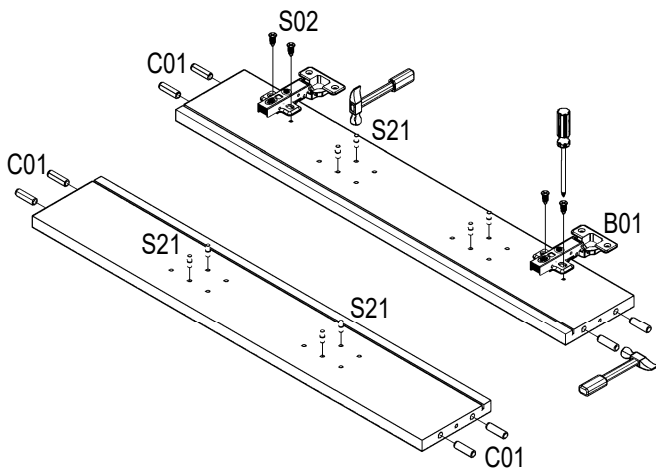
DEPTH ADJUSTMENT

NR.47

 S01 x6	 S02 x14	 A04 x2	 C01 x12	 D01 x1	 S21 x8
 B01 x2	 SIST. M01 x1	 M01 x1	 S11 x2		

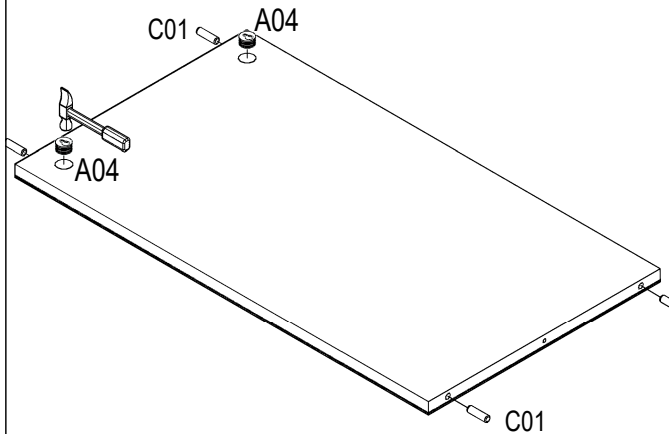


1.



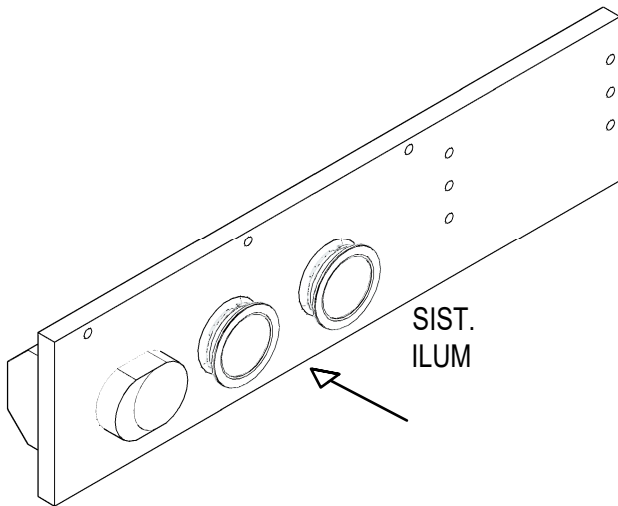
2xB01
 4xS02
 8xC01
 8xS21

2.

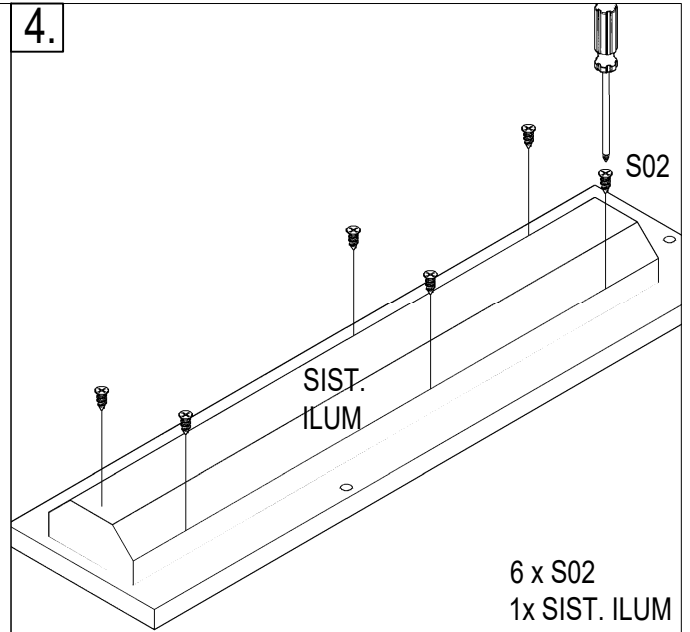


2xA04
 4xC01

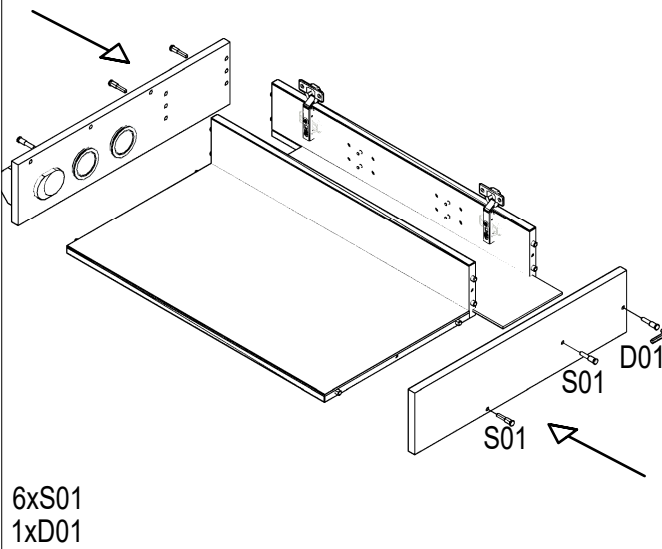
3.



4.



5.



6.

